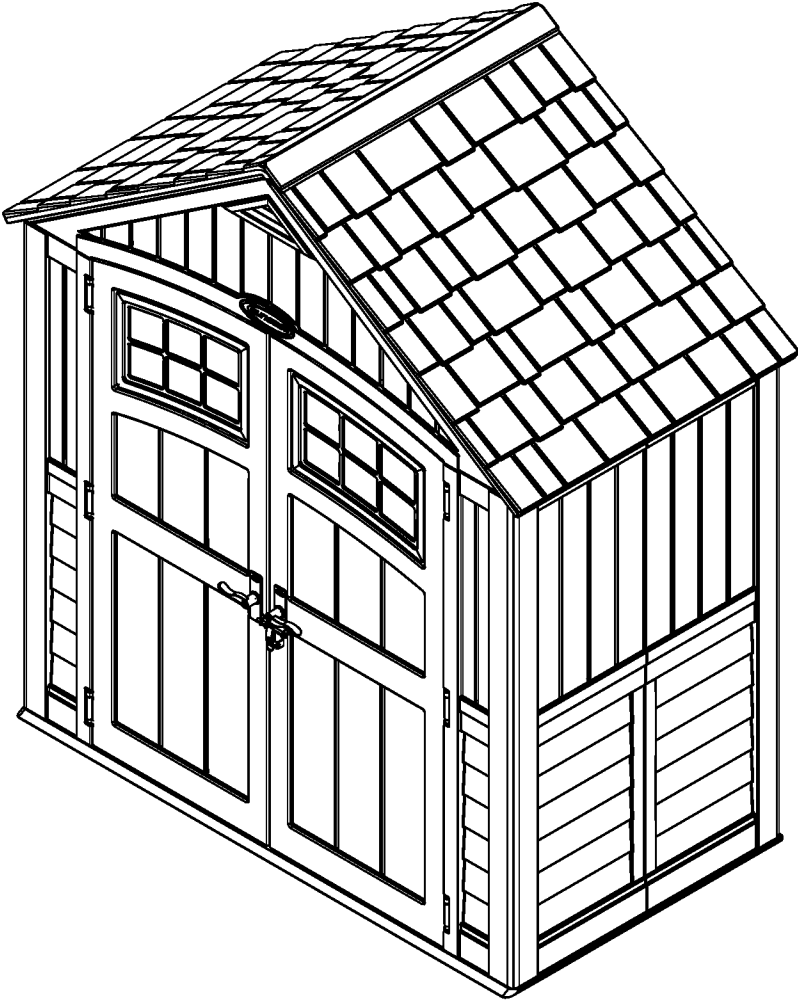





**BMS7400 – Cascade™**  
**Blow Molded Resin Storage Shed**  
**ASSEMBLY INSTRUCTIONS**



Quality Control Number: Numéro de controle de qualité: Número de control de calidad:	Assembled exterior dimensions 7' 4-1/2" W x 3' 11- 3/4"D x 8' 6-1/2"H.
--	--



## Before You Begin...

- **Consult your local authorities for any permits required to construct shed.**  
Prior to the construction of your shed, check with the local building code official to review any required permits or building limitations.
- **A level and sturdy foundation is required before shed construction can begin.**  
Site preparation information is available on pages 10-11. A foundation that differs from the suggestions within this manual could prevent proper assembly and may damage parts.
- **Read instructions thoroughly prior to assembly.**  
This kit contains parts that can be damaged if assembled incorrectly or in the wrong sequence.
- **Please follow instructions.**  
Suncast is not responsible for replacing parts lost or damaged due to incorrect assembly.
- **Check for all parts before you begin assembly.**  
Using the provided parts check list on pages 4-9, verify that you have all the parts required to construct your shed model. **COMPLETE SITE PREPARATION AND FOUNDATION CONSTRUCTION BEFORE UNPACKING ALL PARTS.**
- **Assistance is required during entire assembly.** 



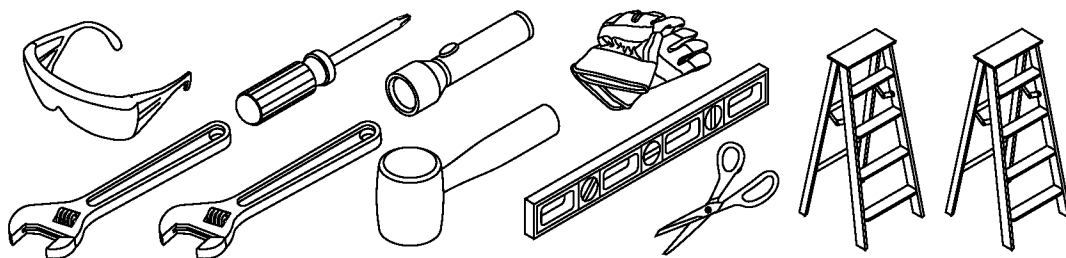
## CAUTION

- Proper site preparation required.
- Shed not intended for use in extreme weather conditions.
- Shed not intended for storage of flammable or caustic chemicals.
- Store heavy items near the bottom of shed.
- Shed not intended for use by children.
- **DO NOT** stand, sit, or store items on storage shed roof.
- Treat carefully in extreme temperatures.
- Repair or replace broken parts immediately.
- Suncast is not responsible for damage caused by weather or misuse.
- At regular intervals inspect your shed to make sure that assembly integrity has been maintained.
- Periodically check that the location you have chosen to set your shed is still level.
- This kit contains parts with metal edges. Please be careful when handling.

## Shed Safety and Care

- Hot items, such as recently used grills, blowtorches, etc., must not be stored in the shed.
- Heavy articles should not be leaned against the walls, as this may cause panel distortion and permanent damage.
- Keep roof clean of snow and leaves.
- The shed walls and roof sections have a textured exterior, much like vinyl home siding. Over time, dust may accumulate in the texture. When combined with moisture, this could encourage the growth of moss or mold on the shed. To maintain the look of your shed, we recommend cleaning it each year with mild soap and water. **DO NOT** use bleach, ammonia, or other caustic cleaners, and **DO NOT** use stiff bristle brushes. Failure to perform annual cleaning could result in permanent staining of the plastic. This is not a manufacturing defect and is not covered under warranty.

## Tools Needed for Installation



INCLUDED IN KIT



Easy Bolt Easy Driver

010210410

## Assembly Day Tips

- Complete site preparation and foundation construction before unpacking parts and beginning assembly.
- **DO NOT** attempt to assemble on a day with strong winds.
- **DO NOT** attempt to assemble on days when temperature is below 32 degrees.
- Set aside appropriate amount of time to completely assemble shed.
- Make sure you have assistance nearby to lift and secure parts in place.
- Wear light duty work gloves while assembling shed.
- Once roof is assembled, a flashlight may be of use when assembling smaller components inside shed.
- **DO NOT** use a torque wrench or hand drill to tighten provided Easy bolts. Use 010210410 Easy Bolt Easy Driver tool (provided) **ONLY**.
- Suncoast provides extra hardware for small fasteners for customer convenience. In some cases, there will be extra small fasteners once the assembly is complete.

**Note:** This product contains parts that are used in different orientations to construct the shed. Please take note of the orientation of the parts shown throughout this instruction manual. Failure to follow instructions could result in damage to parts. Suncoast is not responsible for replacing parts lost or damaged due to incorrect assembly.

# Suncast Products and Replacement Parts

To purchase Suncast replacement parts and learn about other Suncast products, visit us online or call.

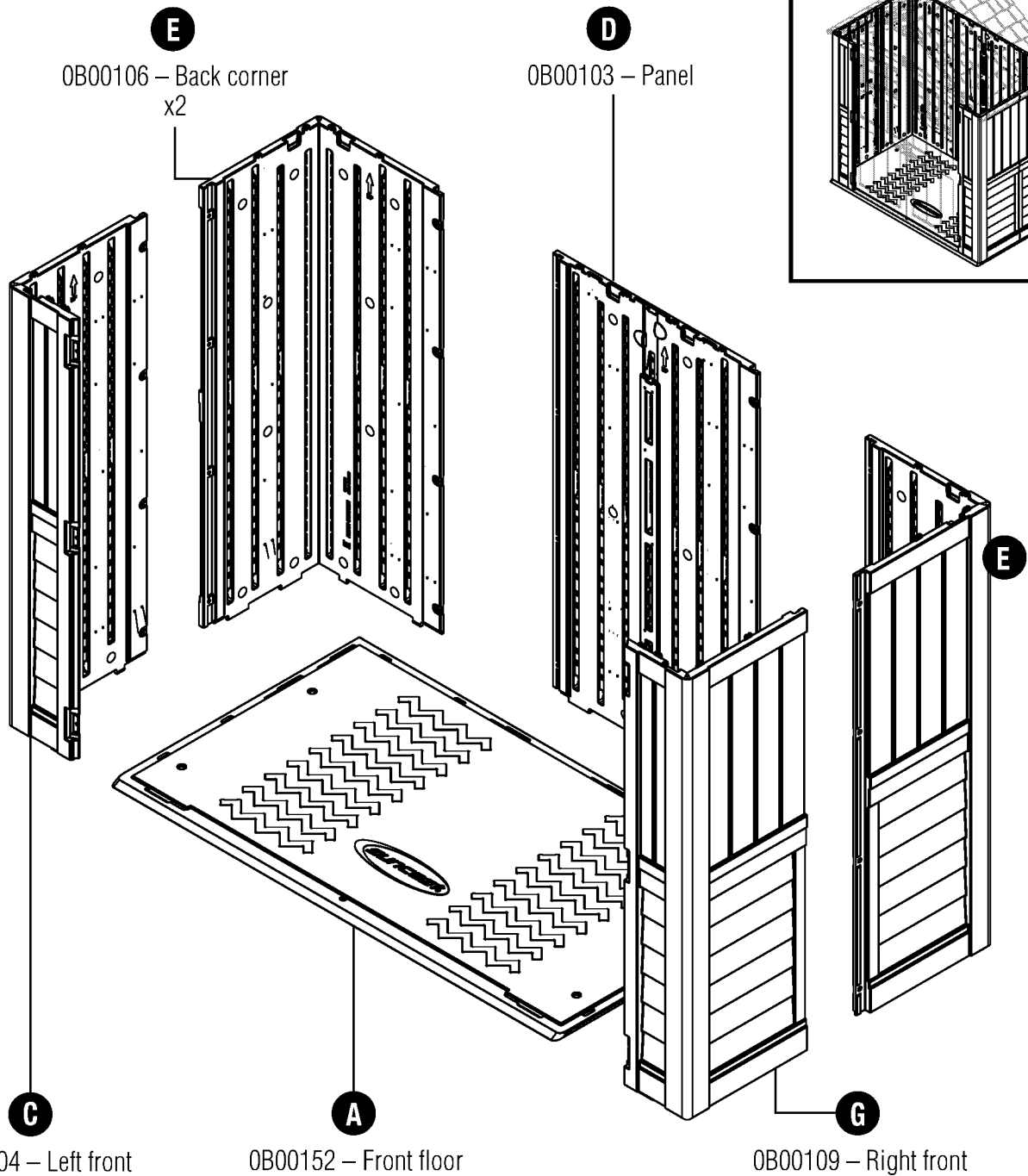


[www.suncast.com](http://www.suncast.com)  
24 hours a day, 7 days a week, 365 days a year

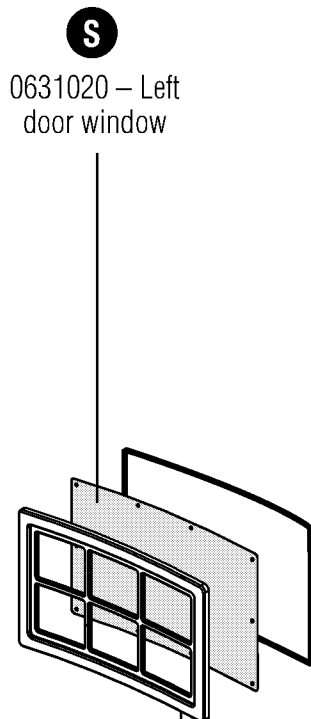
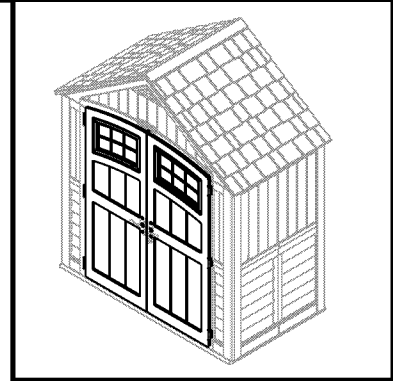


1-800-846-2345 or 1-630-879-2050  
Monday - Friday, 6 am - 8 pm CST

## Parts - BMS7400 Walls and Floors

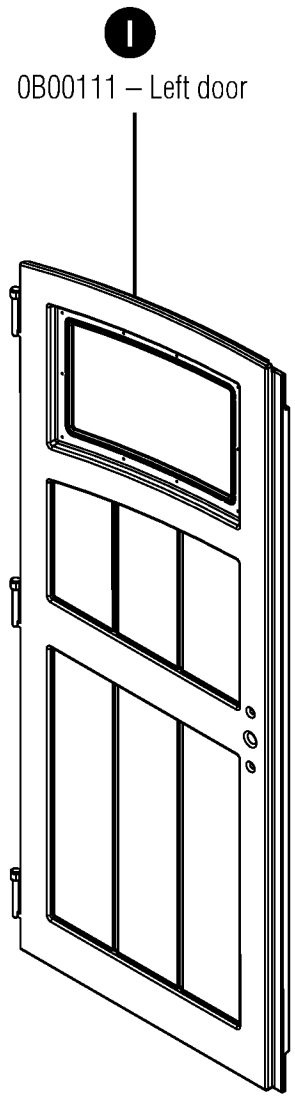


# Parts - BMS7400 Doors



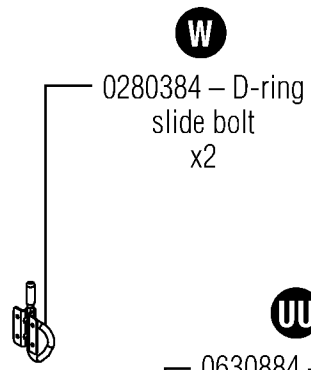
**S**  
0631020 – Left door window

**Q**  
0102201 – Left window frame

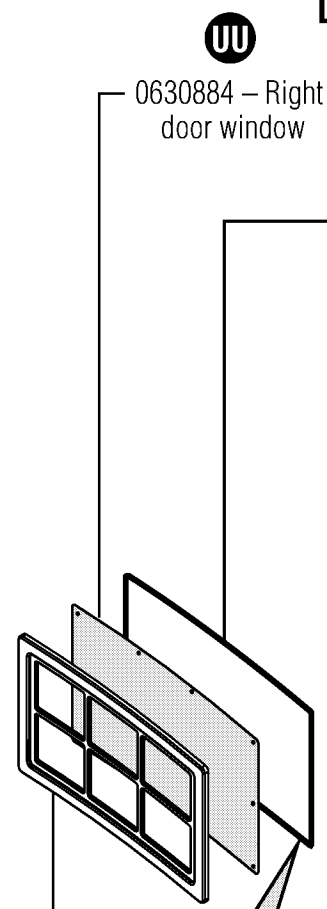


**I**  
0B00111 – Left door

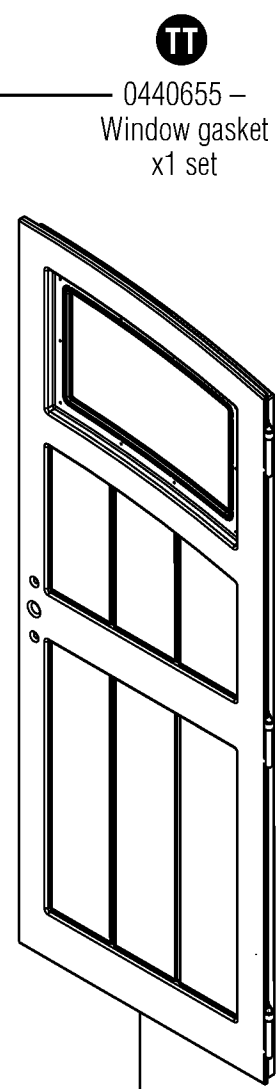
**P**  
0102202 – Right window frame



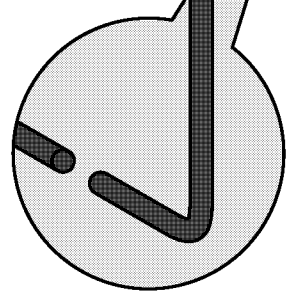
**W**  
0280384 – D-ring slide bolt x2



**UU**  
0630884 – Right door window

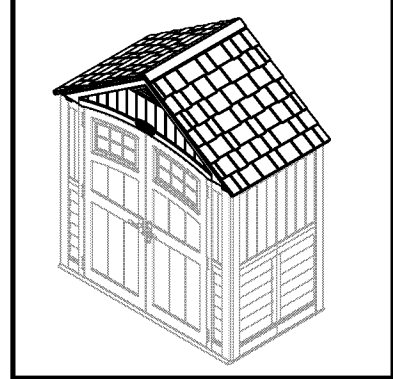


**TT**  
0440655 – Window gasket x1 set



**H**  
0B00105 – Right door

# Parts - BMS7400 Headers and Roof



**J**

0B00107 –  
Front header

**M**

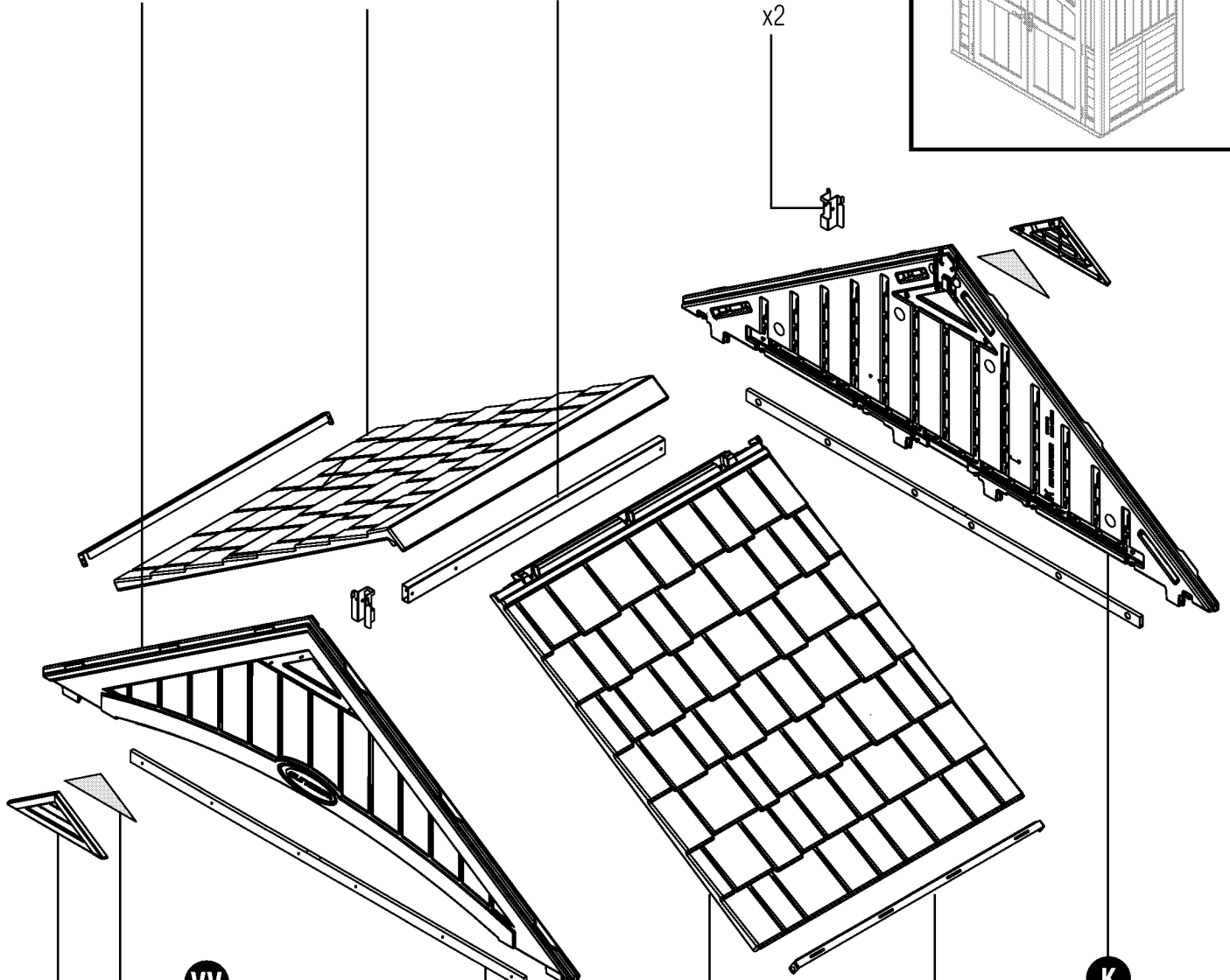
0B00150 –  
Left roof

**U**

0280402 –  
Ridge beam

**V**

0510541 – Roof ridge  
beam bracket  
x2



**VV**

0440654 – Fiberglass  
vent screen  
x1 set

**K**

0B00112 –  
Rear header

**R**

0102203 –  
Header vent  
x2

**X**

0280372A –  
Header beam  
x2

**L**

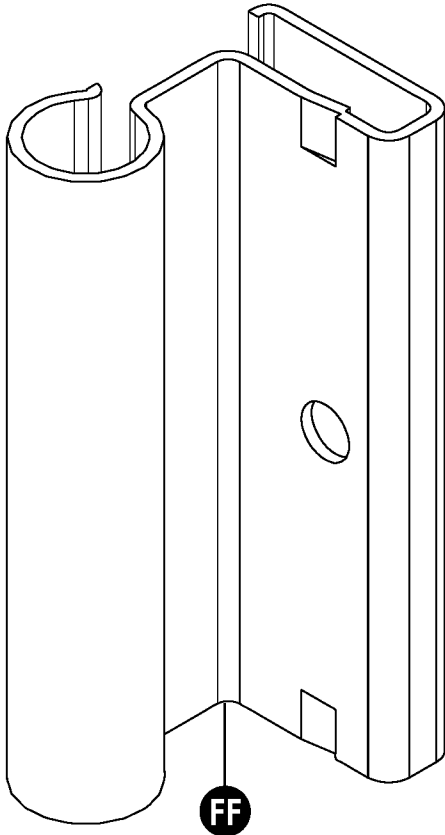
0B00151 –  
Right roof

**WW**

0440683 –  
Roof support bar  
x1 set

# Hardware - BMS7400

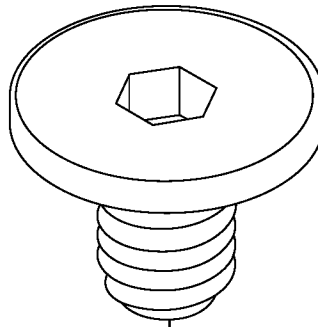
0440652 – Hardware bag



**FF**

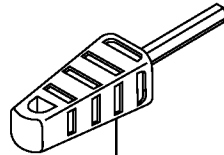
Metal hinge plate  
x6

0480327 – Hardware bag



**GG**

Easy bolt 7/8"  
x18



**XX**

\*Easy bolt easy driver

0480324 – Hardware bag



**LL**

.625" Pan head screw  
x40

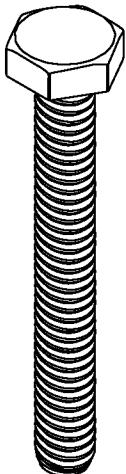
0480325 – Hardware bag



**KK**

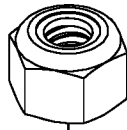
.625" Truss head screw  
x47

0480326 – Hardware bag



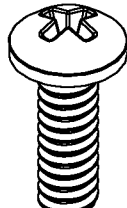
**HH**

.25" x 2" Hex bolt  
x2



**JJ**

.25" Locking nut  
x8



**MM**

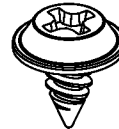
.25" x .75" Philips  
pan head screw  
x6

0480328 – Hardware bag



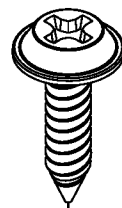
**YY**

Rubber washer  
x5



**ZZ**

.375" Washer  
head screw  
x2



**AAA**

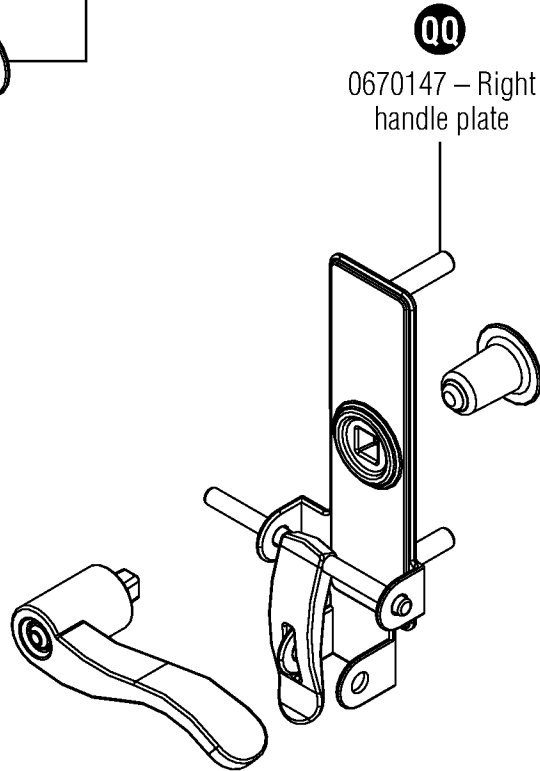
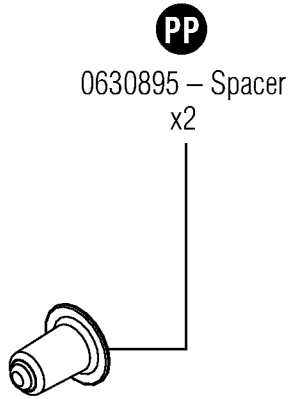
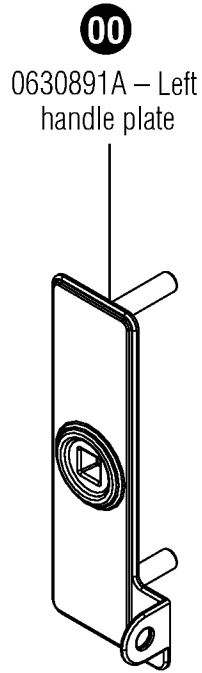
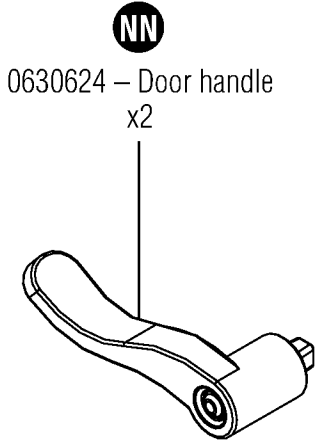
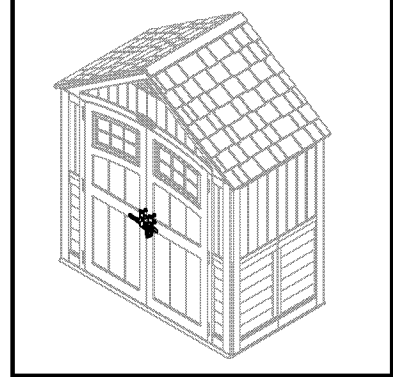
.75" Sealing screw  
x3

Hardware shown at actual size (\*Unless otherwise noted.) Extra hardware provided. Not all are used.



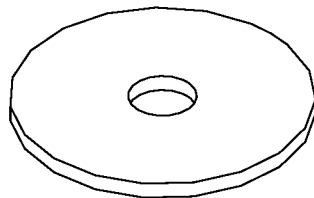
# Door Handle Kit - BMS7400

0440647A – Door Handle Kit

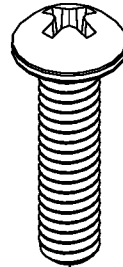


## Hardware

0480306A – Hardware bag



**RR**  
.25" Washer  
x5



**CCC**  
.25" x 1" Pan head screw  
x7

Hardware shown at actual size (\*Unless otherwise noted.) Extra hardware provided. Not all are used.

# Site Preparation and Platform Construction

Materials **NOT** supplied with BMS7400 Shed Kit

**Note:** Site preparation is required for this shed. Placing the shed on a constructed foundation is required. Without a constructed foundation, settling will occur, causing distortion and damage to the shed. Suncoast is not responsible for replacing parts damaged or property lost due to incorrect assembly.

**Note:** Complete the site preparation and foundation construction before unpacking parts and beginning assembly.

## To prepare your shed site, follow the below steps:

- 1) Consult your local authorities for building codes and covenants before beginning foundation or erecting shed.
- 2) Before any digging, check with local utilities to determine location of buried cables, pipes, etc.
- 3) Decide which type of foundation you want:
  - Concrete slab, 4" thick

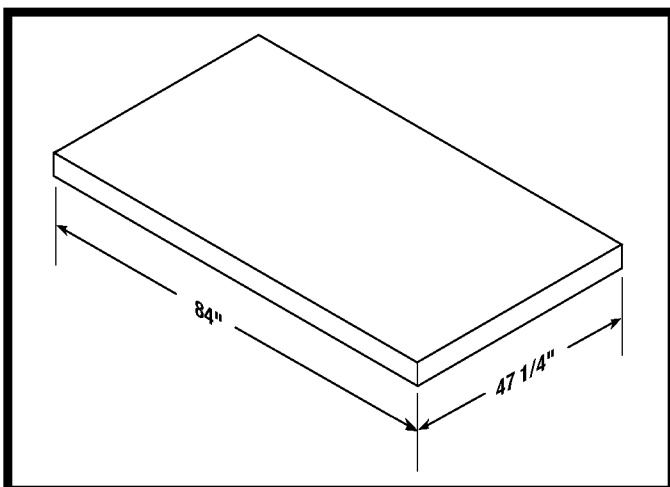
**OR**

- Wood platform

Use exterior grade wood. The wood platform should be set on pier blocks or footing. Consult your local retailer for help to determine the best anchoring method for your particular installation. The provided plans are sized for the minimum number of cuts to lumber and plywood.

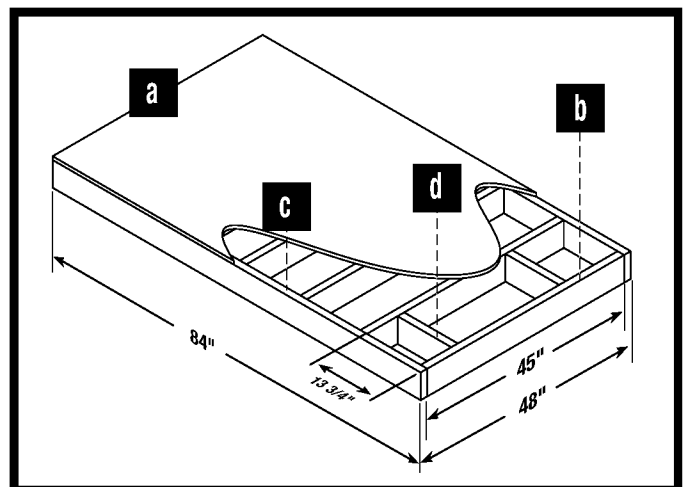
- 4) Prepare the building site:
  - The ground should slope away from the foundation area to provide drainage.
  - The foundation surface must be flat and level.
  - A vapor barrier should be provided to prevent excessive condensation in the shed.
  - Follow local building codes for a proper vapor barrier.
- 5) Anchoring the shed to the foundation:
  - Consult your local retailer for help to determine the best anchoring method for your particular installation.
  - To secure the shed to a concrete slab, use masonry fasteners available at your local hardware retailer.
  - To secure the shed to a wood platform, use 1/4" x 2" long lag screws with washers.

## Anchoring floor panel to concrete slab



- Secure shed to concrete slab using masonry fasteners.
- Dimensions allow for shed to fit within the nearest 1" on each side.

## Anchoring floor panel to wood platform

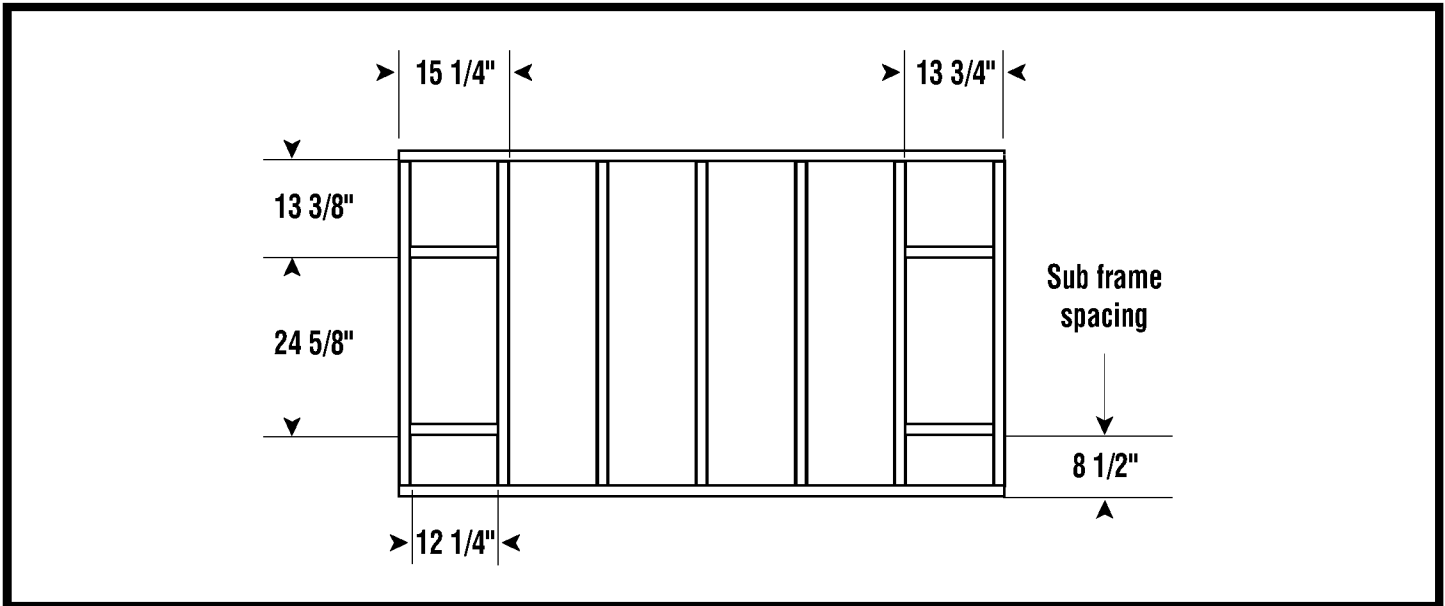


- Secure shed to wood platform using 1/4" x 2" lag screws.

# Site Preparation and Platform Construction (continued)

Materials NOT supplied with BMS7400 Shed Kit

## Wood platform critical spacing



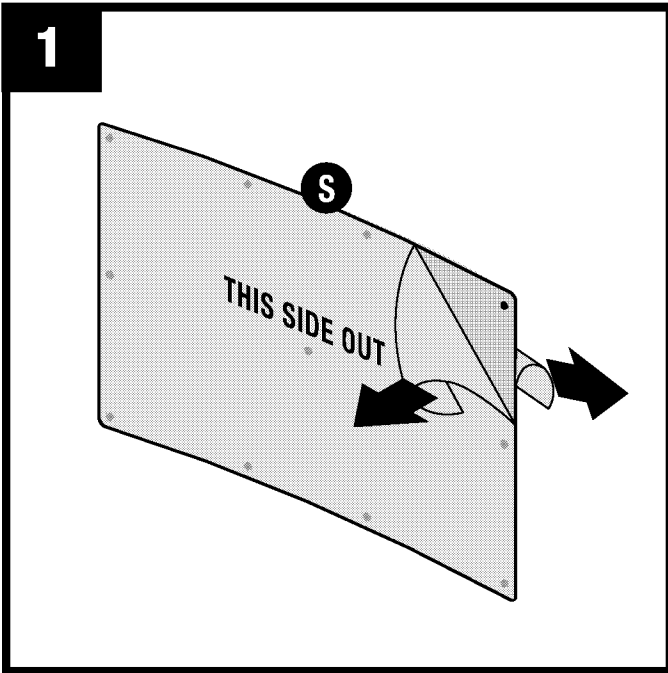
- Check all critical spacing measurements.

### Materials list

Item	Qty	Size
a	1	84" x 48" x 3/4"
b	7	2" x 6" x 45"
c	2	2" x 6" x 84"
d	4	2" x 6" x 12 1/4"

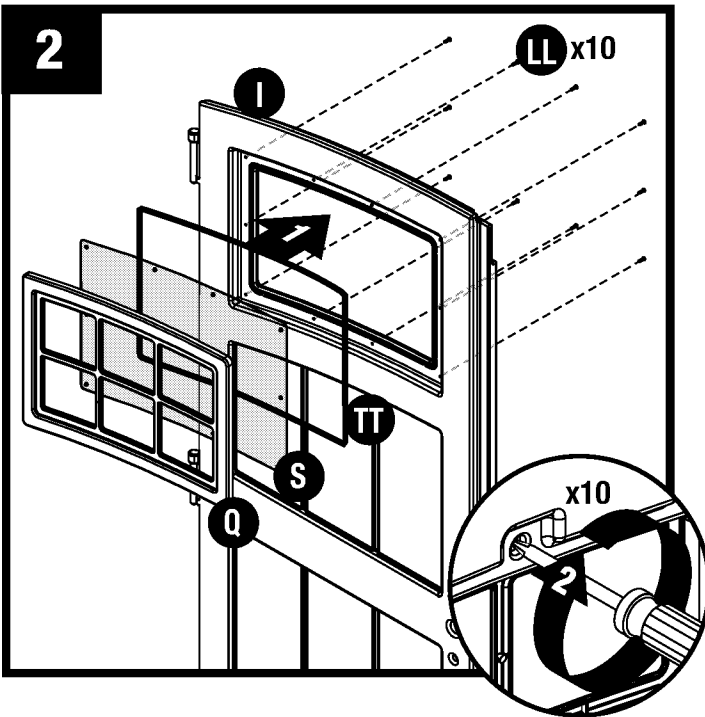
# Door Pre-Assembly

Parts/hardware needed for door pre-assembly are shown on pages 6 and 8.



Peel film from both sides of window (S).

**Note:** One side of film will say "THIS SIDE OUT." Make sure this side faces out when installing window.



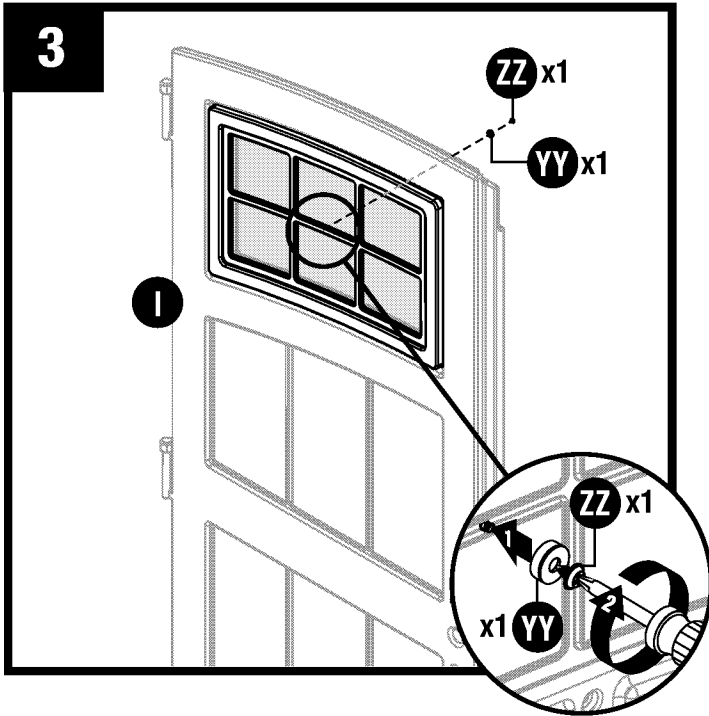
Stand left door (I) vertically. In this order, layer into door channel the window gasket (TT), door window (S), and door window frame (Q). Through the back of door, secure layers with ten screws (LL). Start with four corner screws and finish with remaining screws. **DO NOT** over tighten screws.

**Note:** The cut portion of window gasket (TT) **MUST** be assembled on bottom of door channel.



**Note:** At least two people are needed during assembly.

## Door Pre-Assembly (continued)

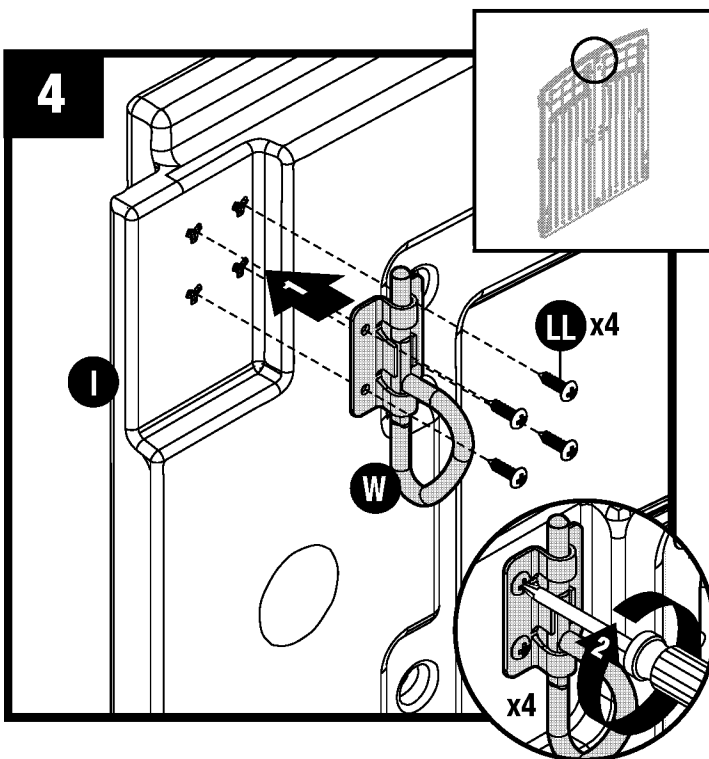


Secure center of window with one washer head screw (ZZ) and sealing washer (YY). **DO NOT** over tighten screws.

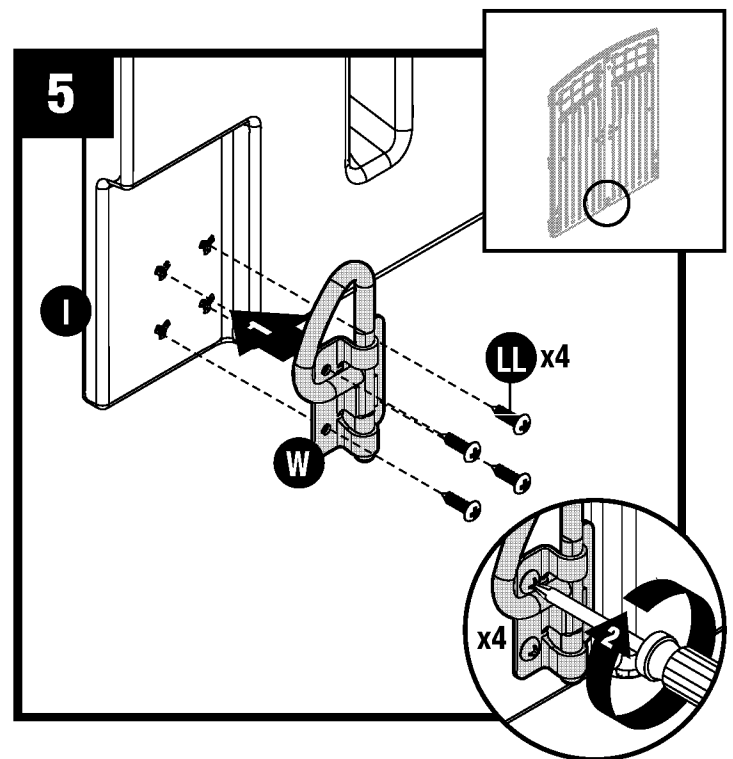
Repeat on Steps 1-3 for right door (H).



**Note:** At least two people are needed during assembly.



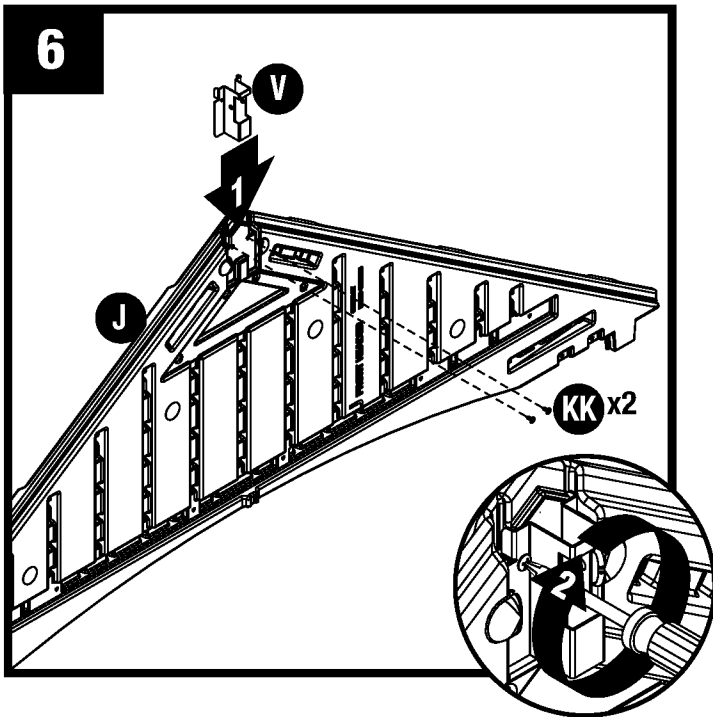
At top interior side of left door (I), attach D-ring slide bolt (W) with four screws (LL) through provided holes.



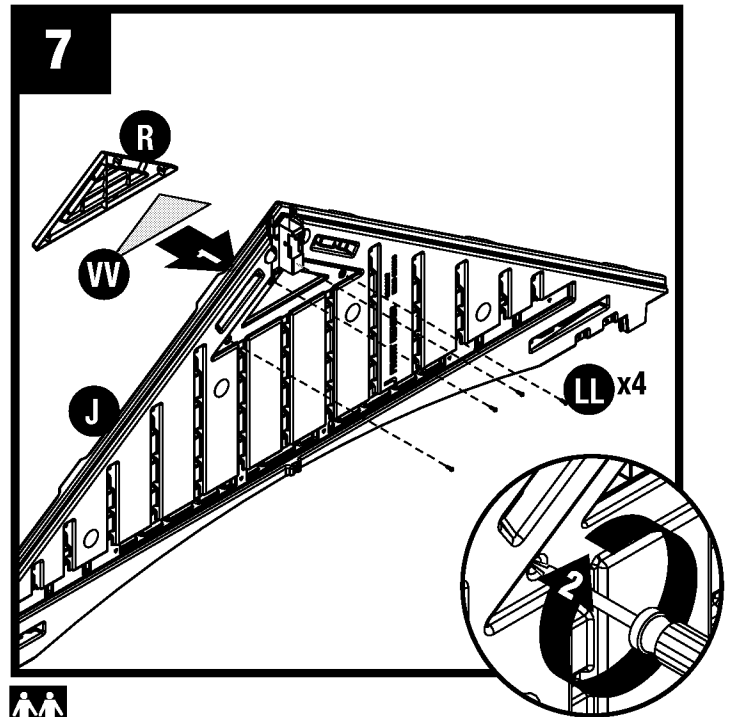
At bottom interior side of left door (I), attach D-ring slide bolt (W) with four screws (LL) through provided holes.

# Header Pre-Assembly

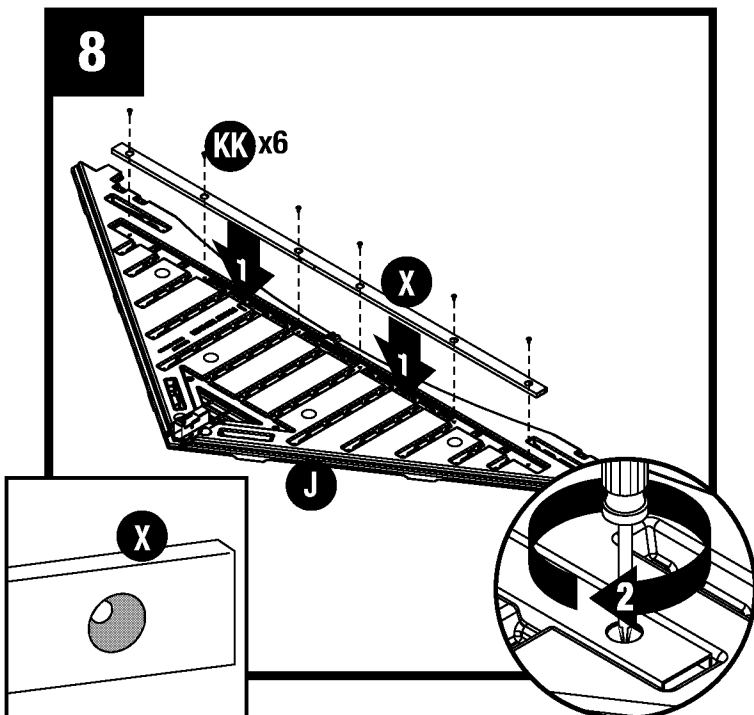
Parts/hardware needed for header pre-assembly are shown on pages 7 and 8.



Slide roof ridge beam bracket (V) under tabs on inside peak of front header (J) and secure with two screws (KK). **DO NOT** over tighten screws.  
Repeat for rear header (K).



Place fiberglass vent screen (VV) and header vent (R) into front opening in front header (J). Secure through back of header with four screws (LL). **DO NOT** over tighten screws.  
Repeat for rear header (K).

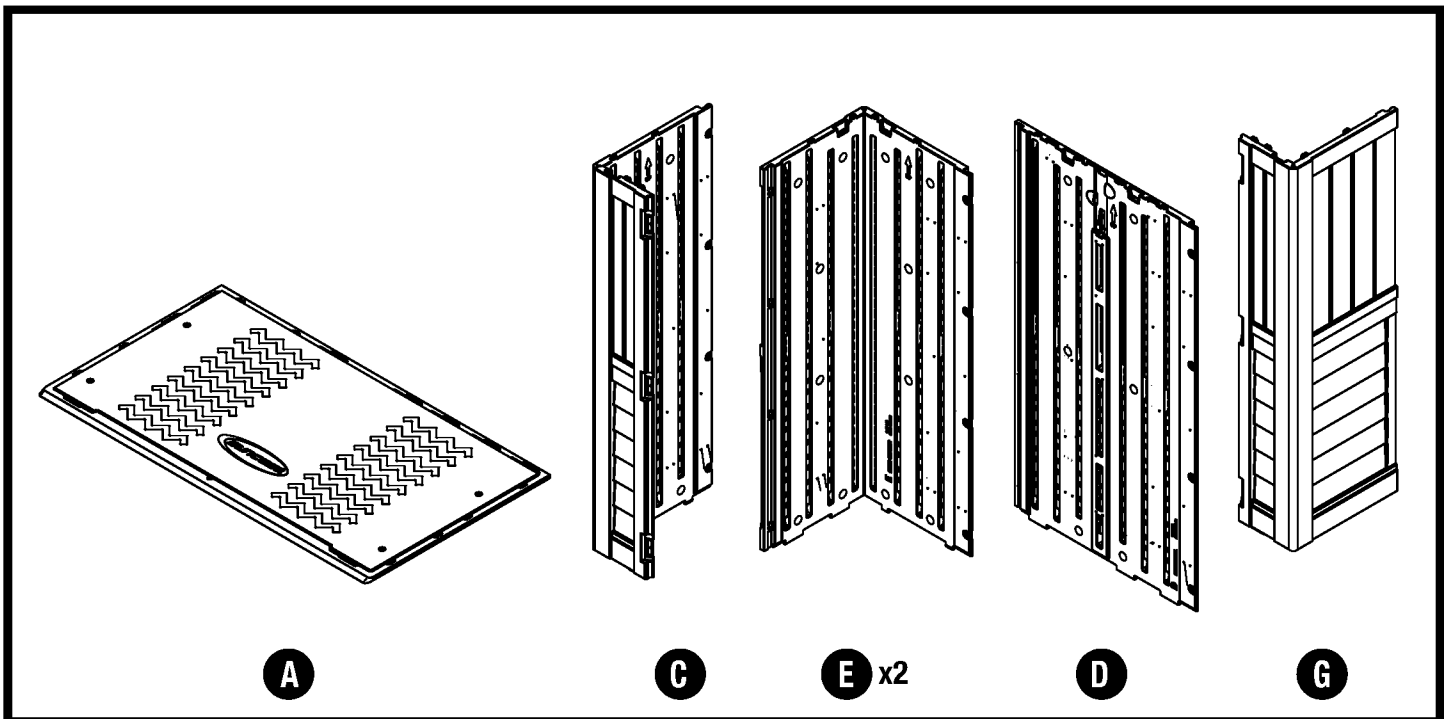



Lay front header (J) on ground with lettering side facing up. Place one header beam (X) into pocket on inside of front header. Attach with six screws (KK). **DO NOT** over tighten screws.

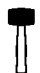
Repeat for rear header (K).

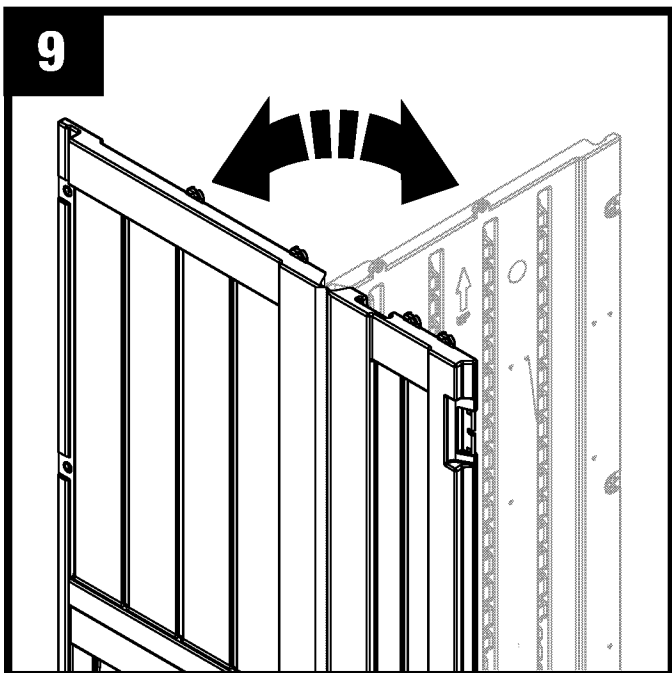
**Note:** Header beam (X) has large holes on one side and small holes on other side. The small holes must face header.

# Shed Assembly/Walls



 **Note:** At least two people are needed during assembly.

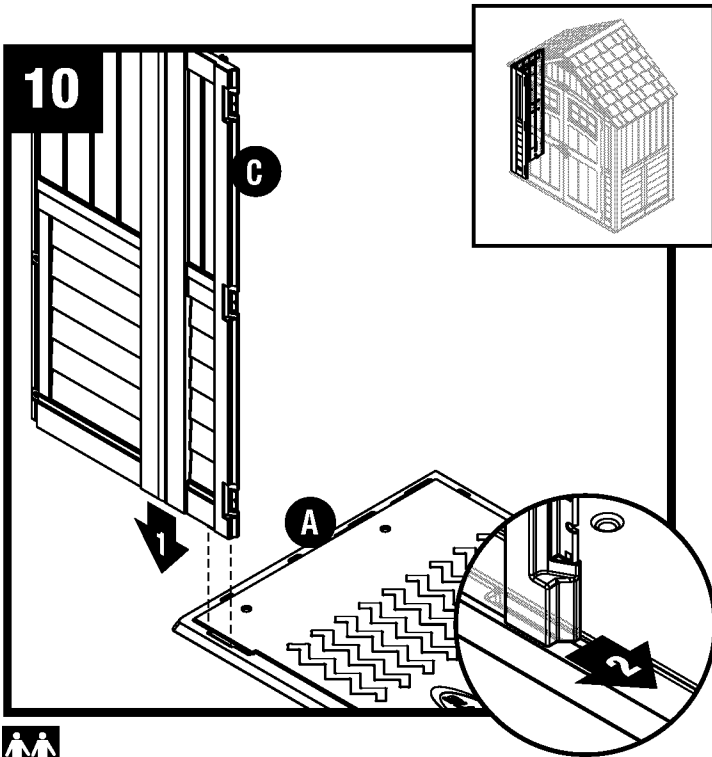
 **Note:** Need to use a rubber mallet.



**Critical:** When installing corners, flex corner hinges back and forth several times. This will help provide a square corner and ensure proper fit of remaining panels.

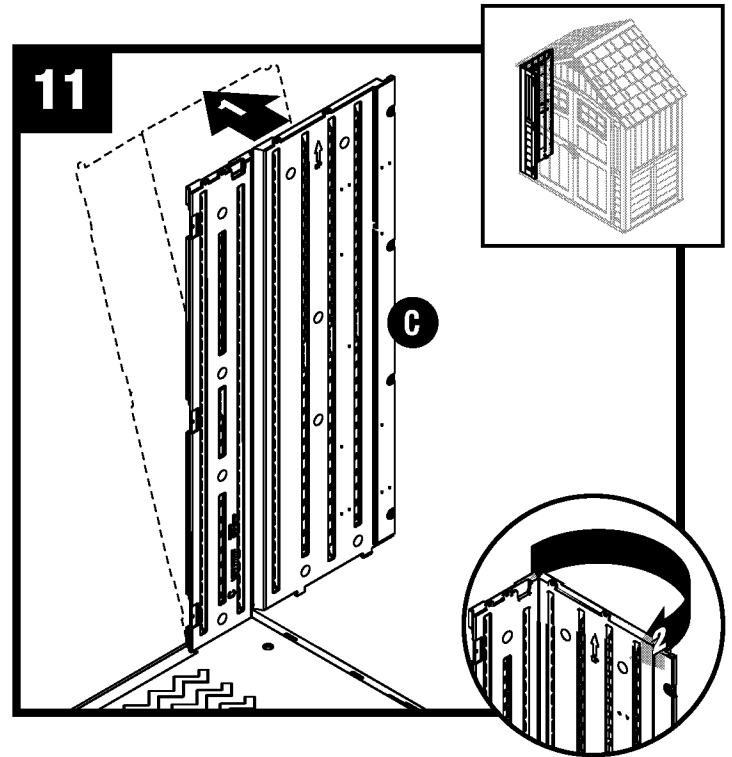
**Important: DO NOT** flex in reverse position, as this can crack the panel.

## Shed Assembly/Walls (continued)

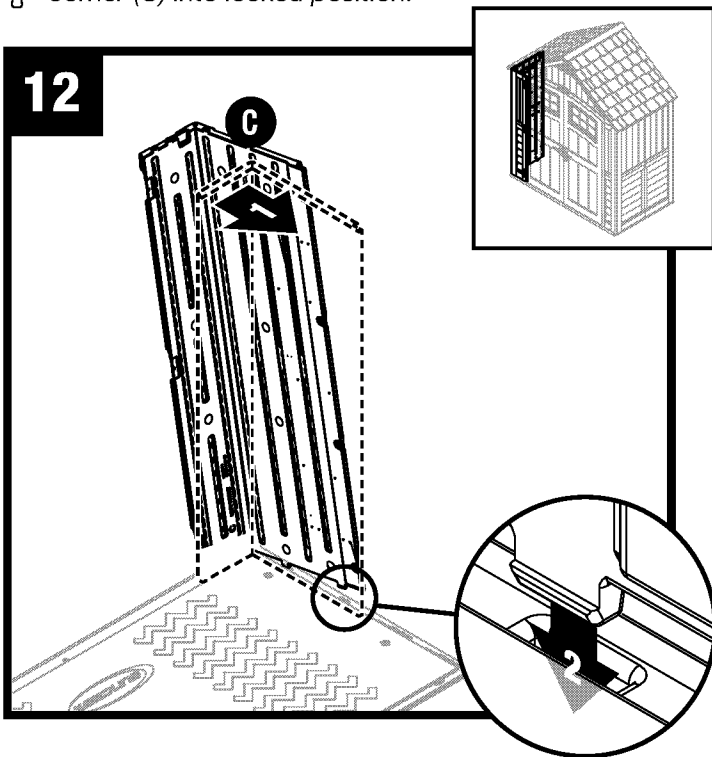


Align tab on bottom right side of left front (C) with slot on front floor (A). Lower panel into slot and lock in place by sliding panel toward door opening.

**Note:** Use a rubber mallet to “push” left front corner (C) into locked position.

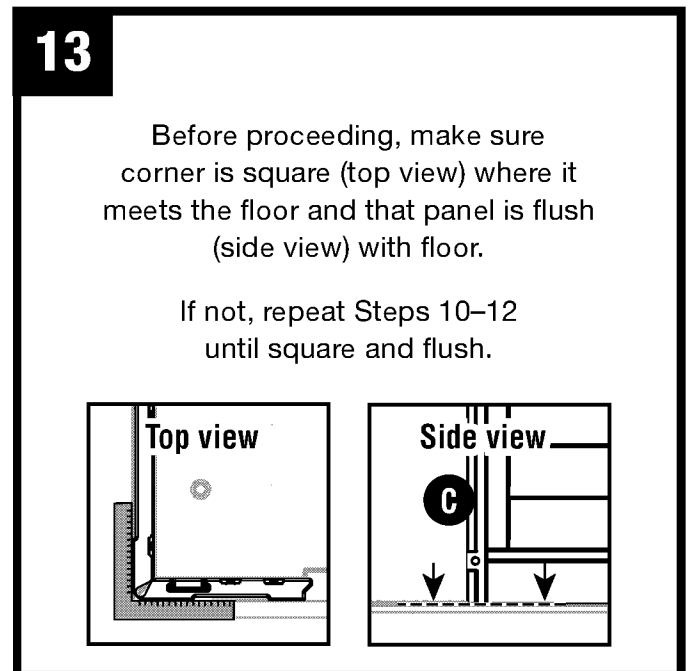


Tip left front (C) outward slightly and bend corner hinge.



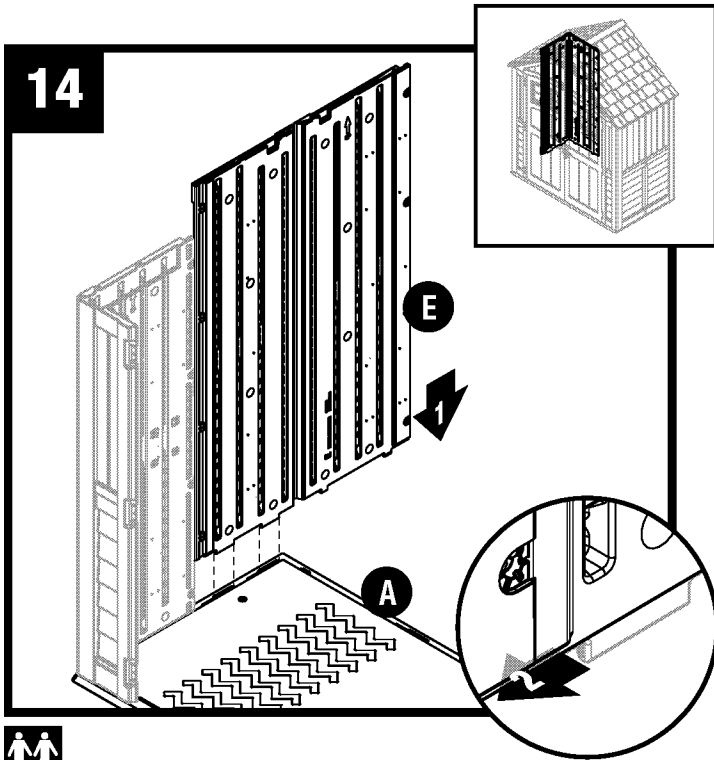
Tip left front (C) back to vertical position and align lower tabs on right side with slots in floor.

**Note:** You will hear a snap when tab is fully engaged.



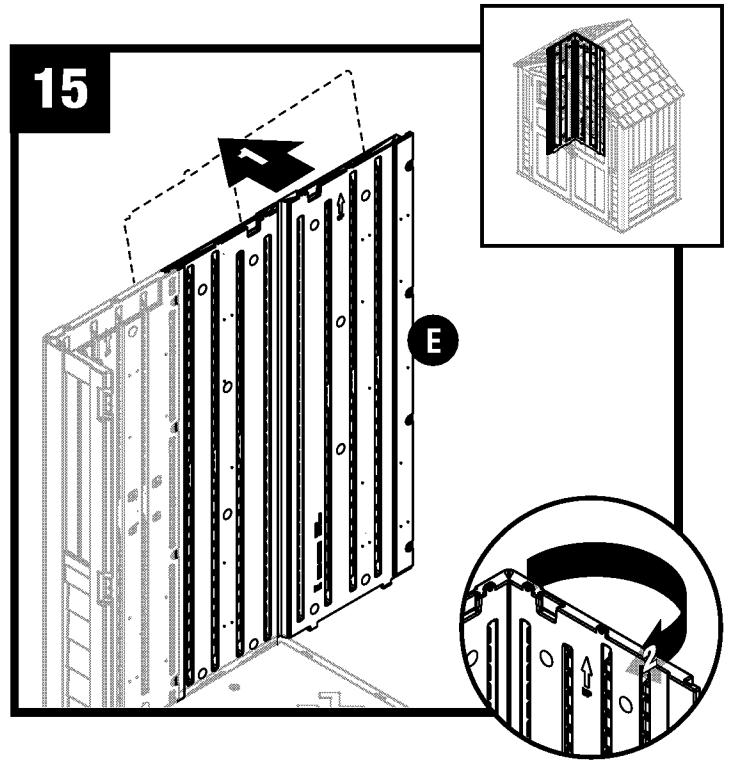


## Shed Assembly/Walls (continued)

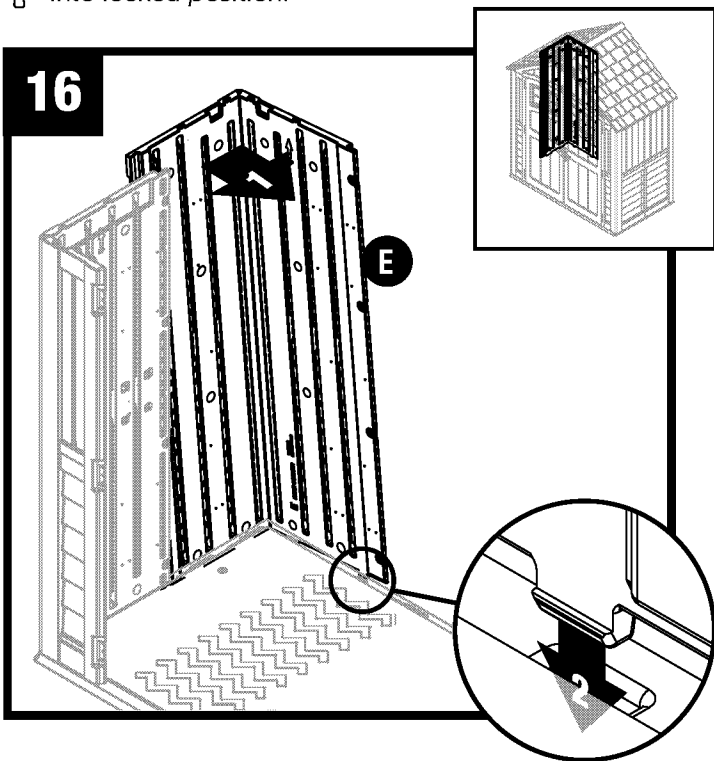


Align tab on bottom left side of back corner (E) with slot on front floor (A). Lower panel into slot and lock in place by sliding panel toward front corner.

**Note:** Use a rubber mallet to “push” back corner (E) into locked position.

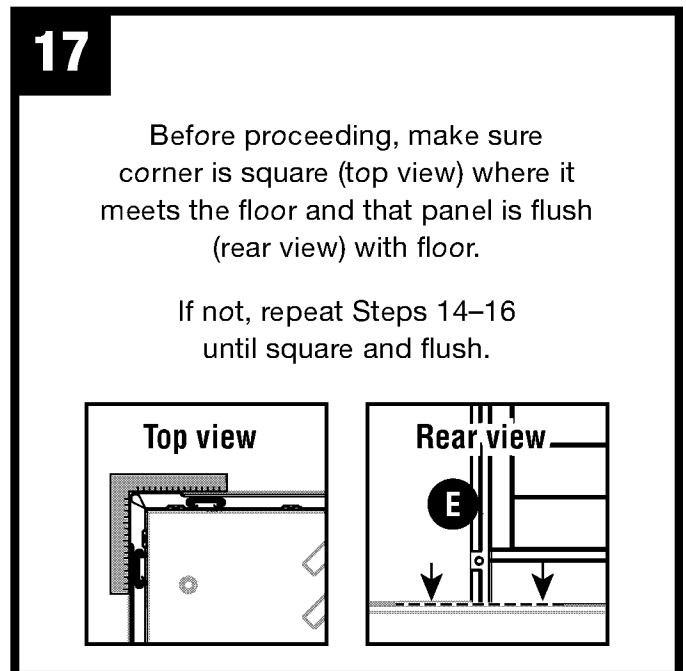


Tip back corner (E) outward slightly and bend corner hinge.

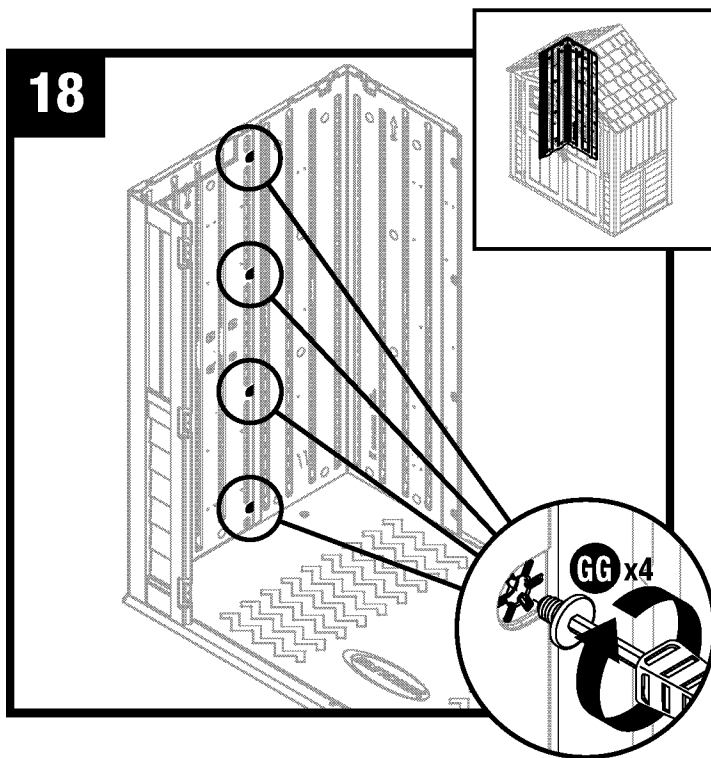


Tip back corner (E) back to vertical position and align lower tabs on left side with slots in floor.

**Note:** You will hear a snap when tab is fully engaged.

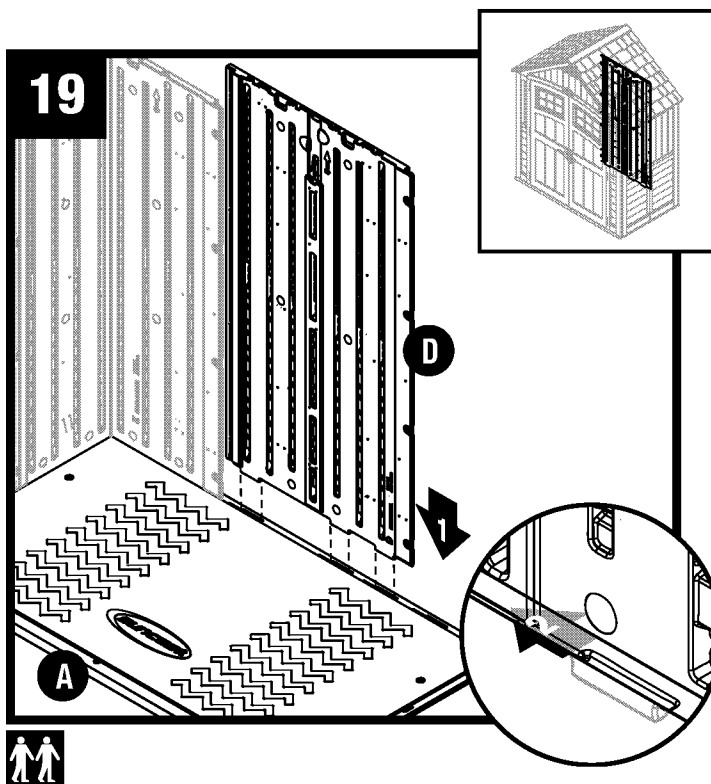


## Shed Assembly/Walls (continued)




Secure back corner with four easy bolts (GG). Work from floor to roof. **DO NOT** use torque wrench. Use easy bolt easy driver (XX) and hand tighten. Easy bolt head will be flush when fully seated. **DO NOT** over tighten easy bolts.

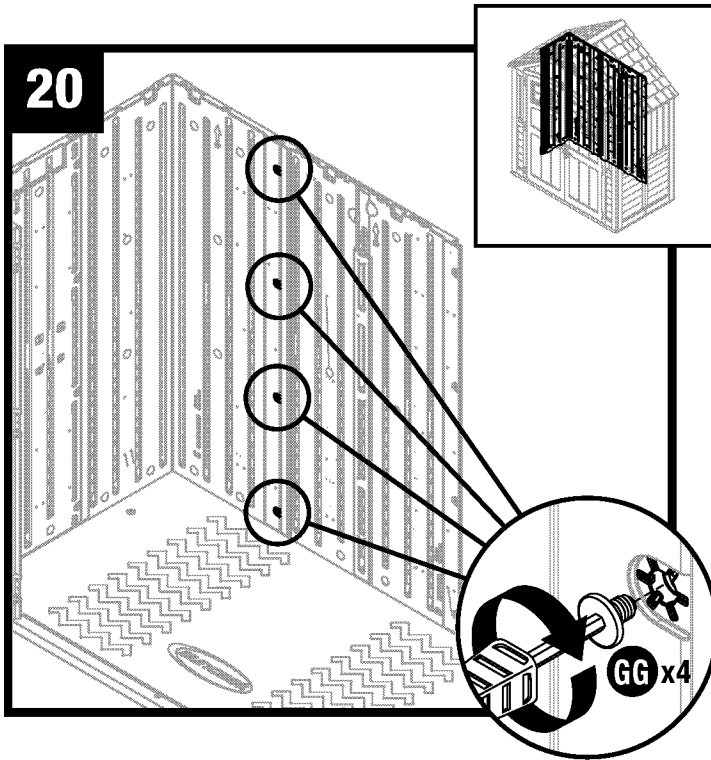
**Note:** You may hear a click when easy bolt has been tightened completely.



Align tabs on bottom of panel (D) with slots along front floor (A). Lower panel into slots and lock in place by sliding panel toward left corner.

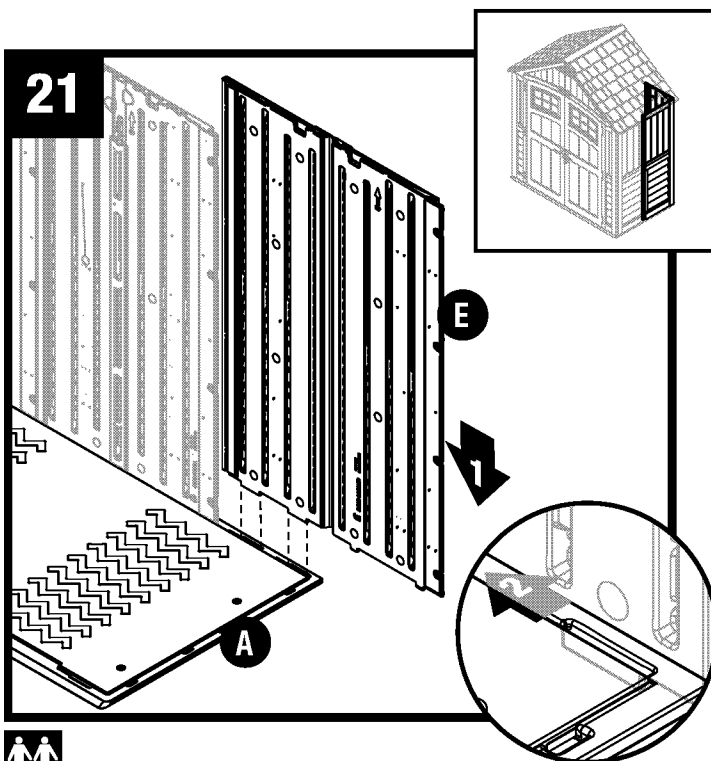
 **Note:** Use a rubber mallet to “push” panel (D) into locked position.

## Shed Assembly/Walls (continued)



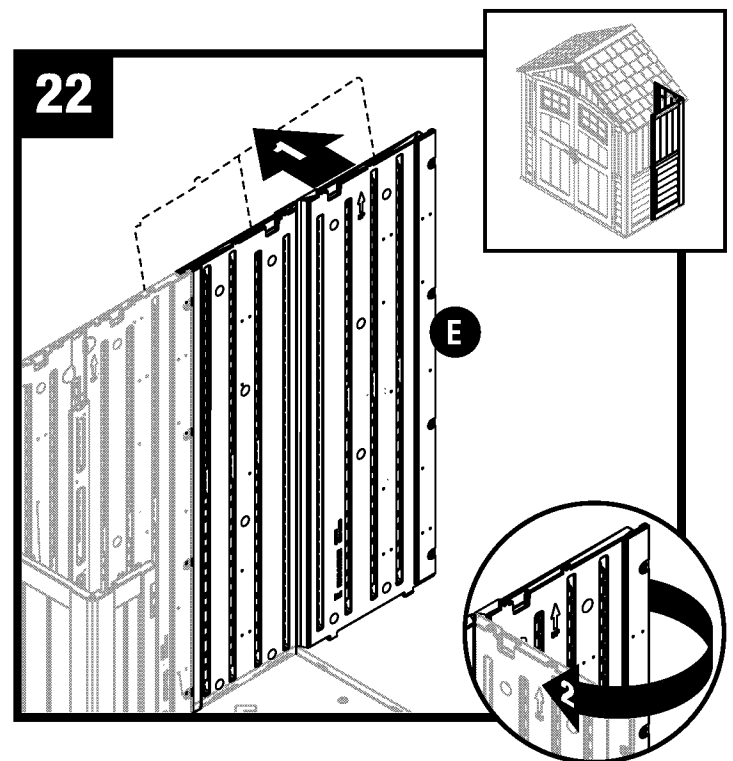
Secure panel with four easy bolts (GG), working from floor to roof. **DO NOT** use torque wrench. Use easy bolt easy driver (XX) and hand tighten. Easy bolt head will be flush when fully seated. **DO NOT** over tighten easy bolts.

**Note:** You may hear a click when easy bolt has been tightened completely.



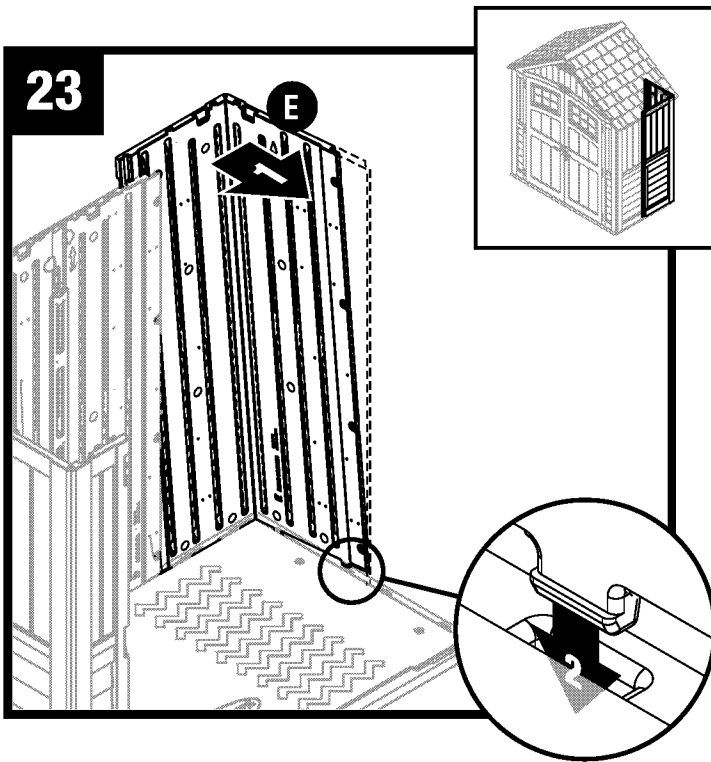
Align tab on bottom left side of back corner (E) with slot on front floor (A). Lower panel into slot and lock in place by sliding panel toward left corner.

**Note:** Use a rubber mallet to "push" back corner (E) into locked position.



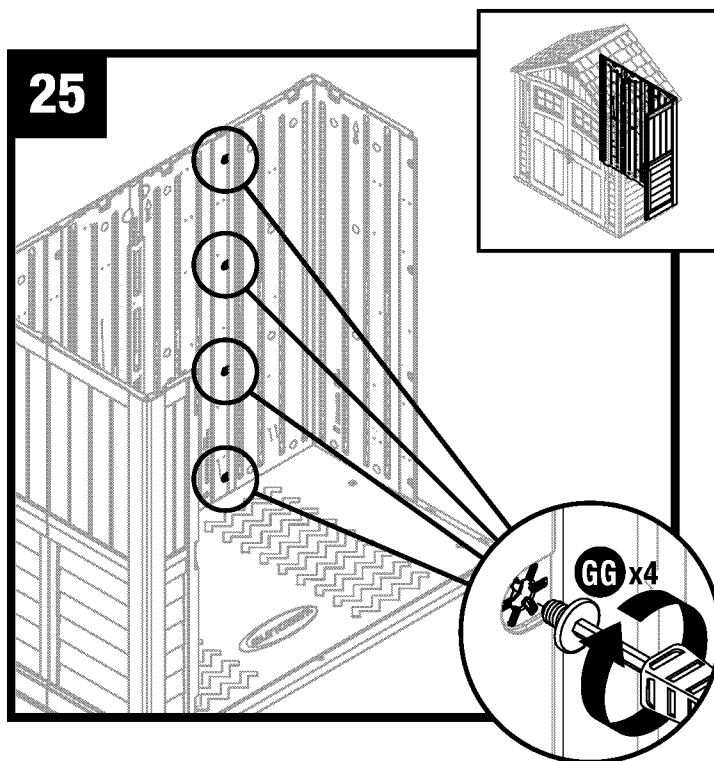
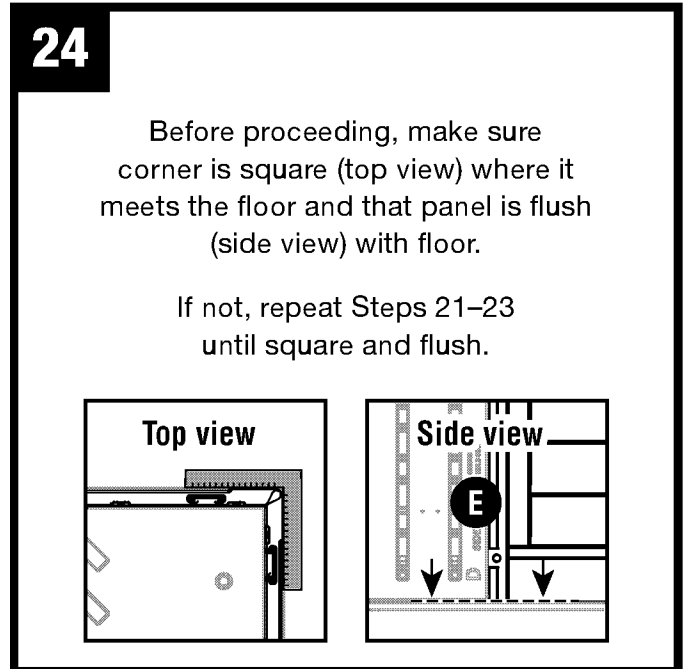
Tip back corner (E) outward slightly and bend corner hinge.

## Shed Assembly/Walls (continued)



Tip back corner (E) back to vertical position and align lower tabs on left side with slots in floor.

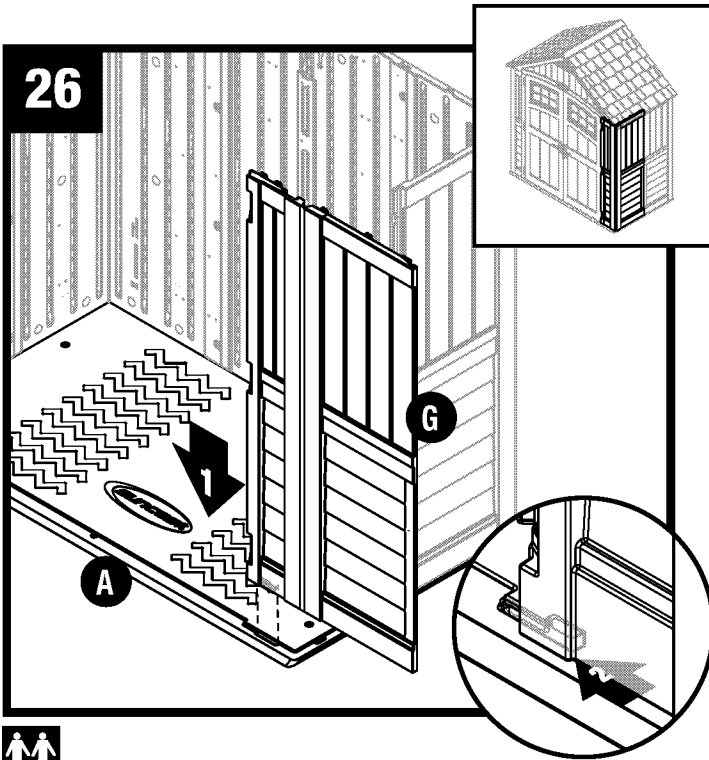
**Note:** You will hear a snap when tab is fully engaged.



Secure back corner with four easy bolts (GG). Work from floor to roof. **DO NOT** use torque wrench. Use easy bolt easy driver (XX) and hand tighten. Easy bolt head will be flush when fully seated. **DO NOT** over tighten easy bolts.

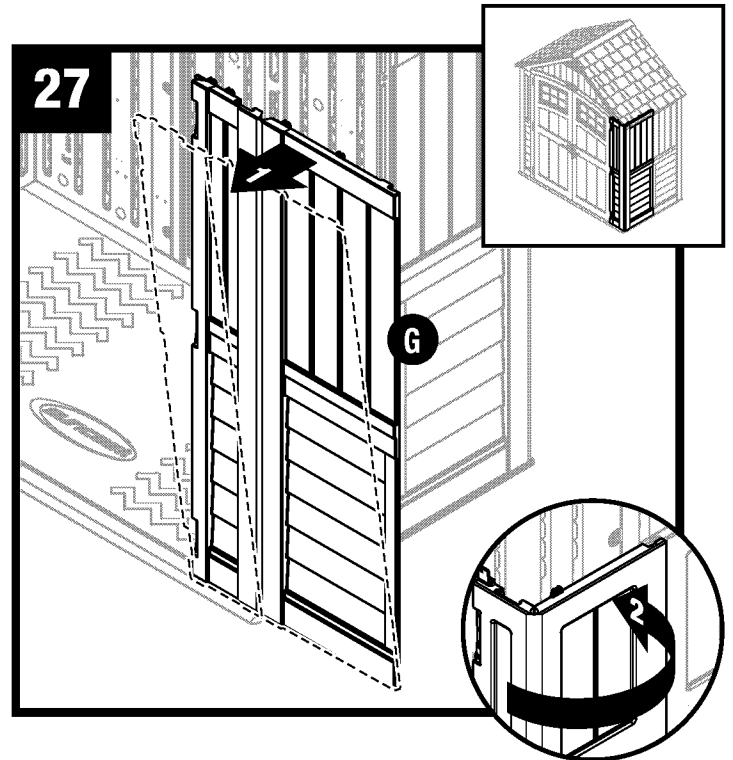
**Note:** You may hear a click when easy bolt has been tightened completely.

## Shed Assembly/Walls (continued)

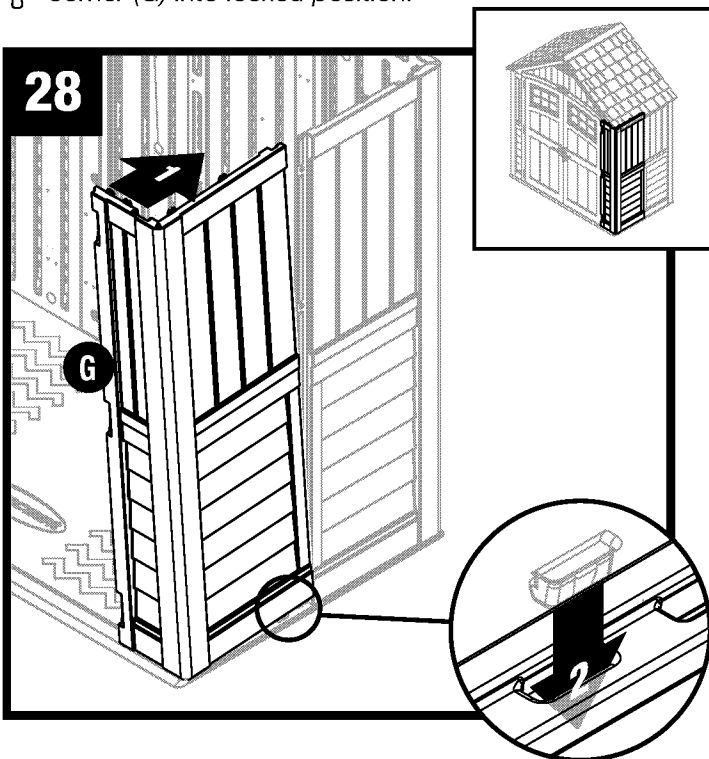


Align tab on bottom left side of right front corner (G) with slot on front floor (A). Lower panel into slot and lock in place by sliding panel toward door opening.

**Note:** Use a rubber mallet to “push” right front corner (G) into locked position.

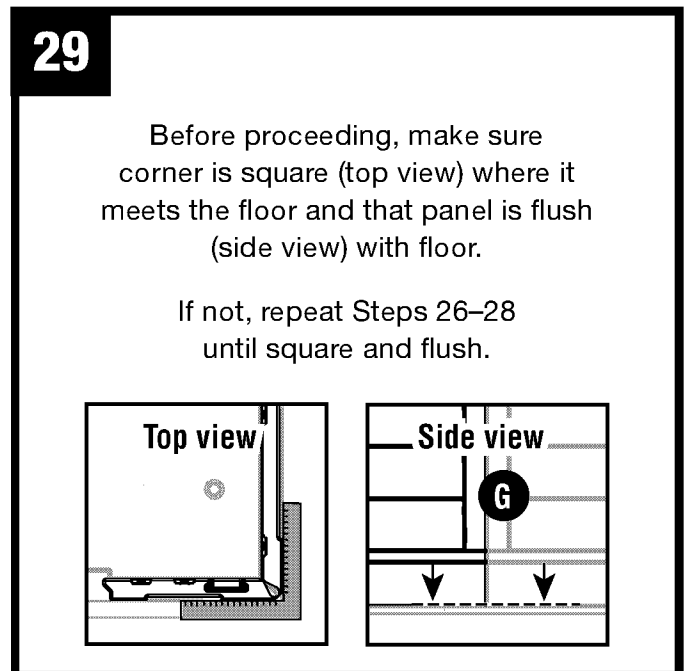


Tip left front corner (G) outward slightly and bend corner hinge.



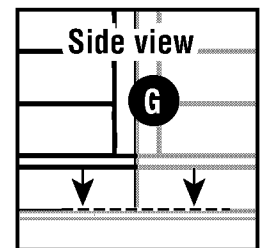
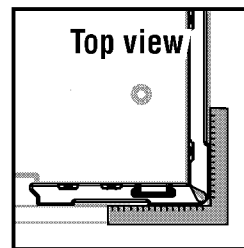
Tip right front corner (G) back to vertical position and align lower tabs on right side with slots in floor.

**Note:** You will hear a snap when tab is fully engaged.

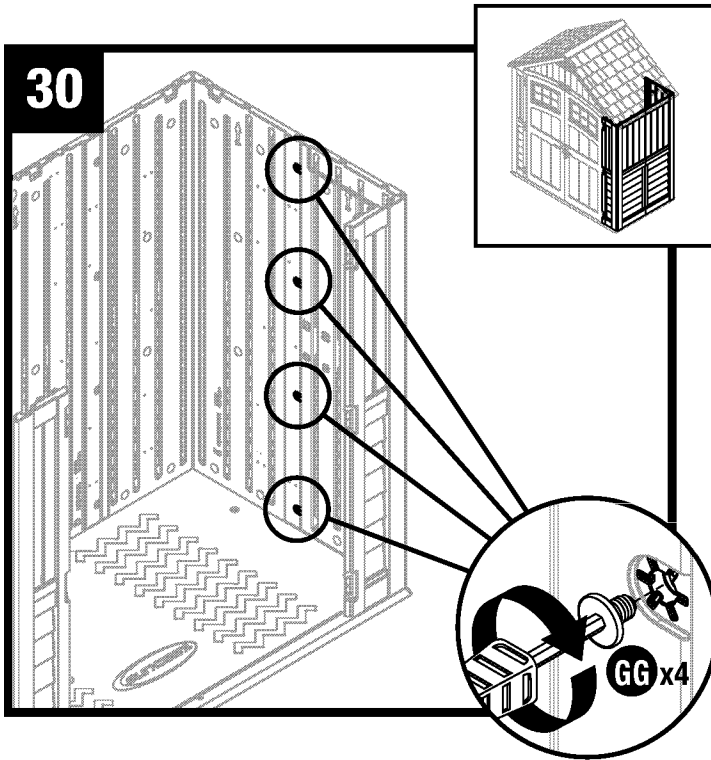


Before proceeding, make sure corner is square (top view) where it meets the floor and that panel is flush (side view) with floor.

If not, repeat Steps 26–28 until square and flush.



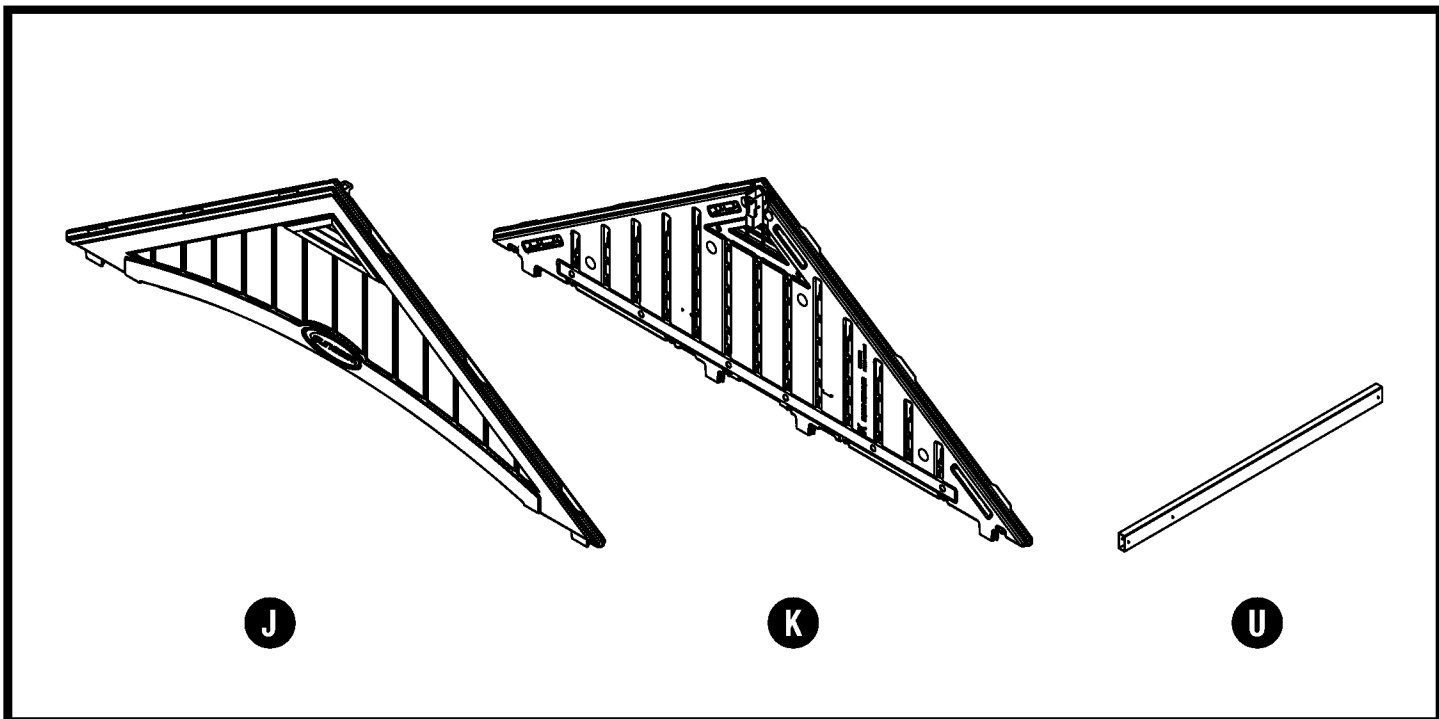
## Shed Assembly/Walls (continued)




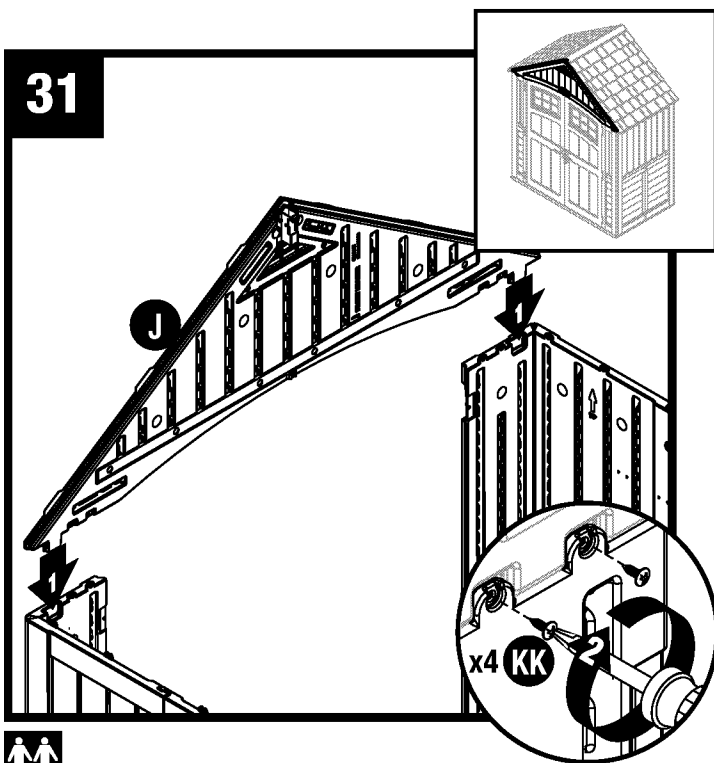
Secure right front corner with four easy bolts (GG), working from floor to roof. **DO NOT** use torque wrench. Use easy bolt easy driver (XX) and hand tighten. Easy bolt head will be flush when fully seated. **DO NOT** over tighten easy bolts.

**Note:** You may hear a click when easy bolt has been tightened completely.

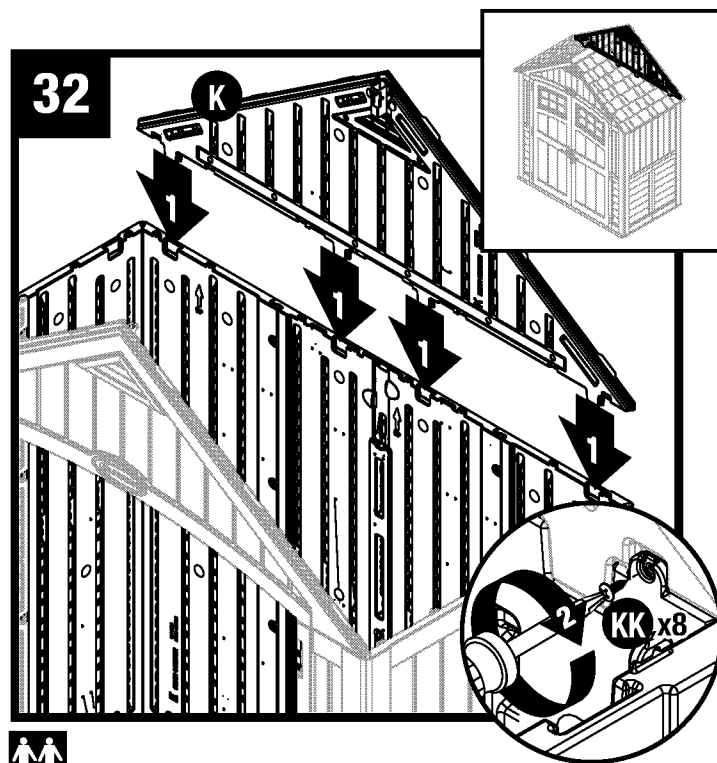
# Shed Assembly/Headers and Truss



 **Note:** At least two people are needed during assembly.

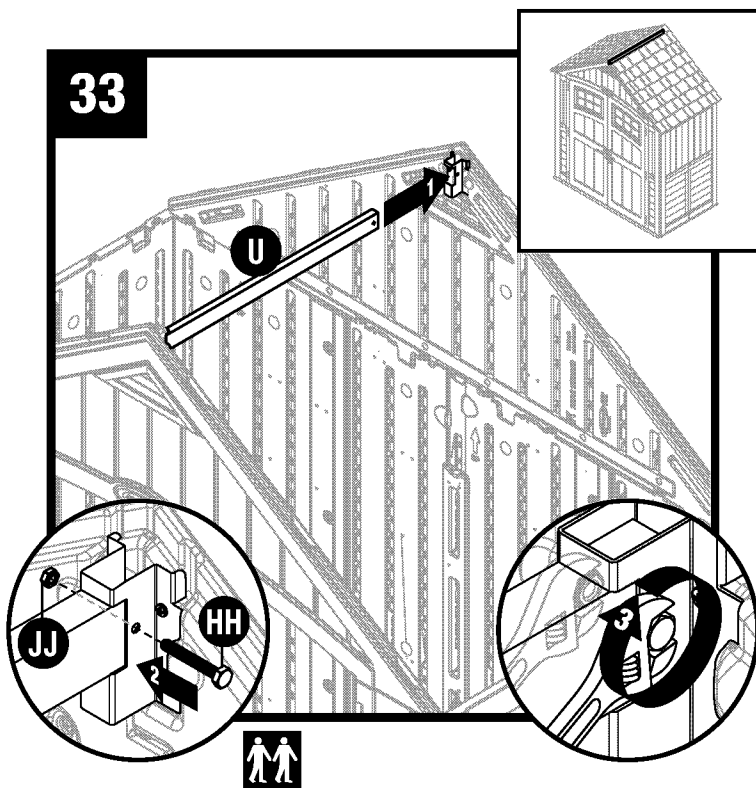


Place front header (J) over door opening and fit two protruding support legs into pockets molded in front corners. Secure front header using two screws (KK) in each front corner.



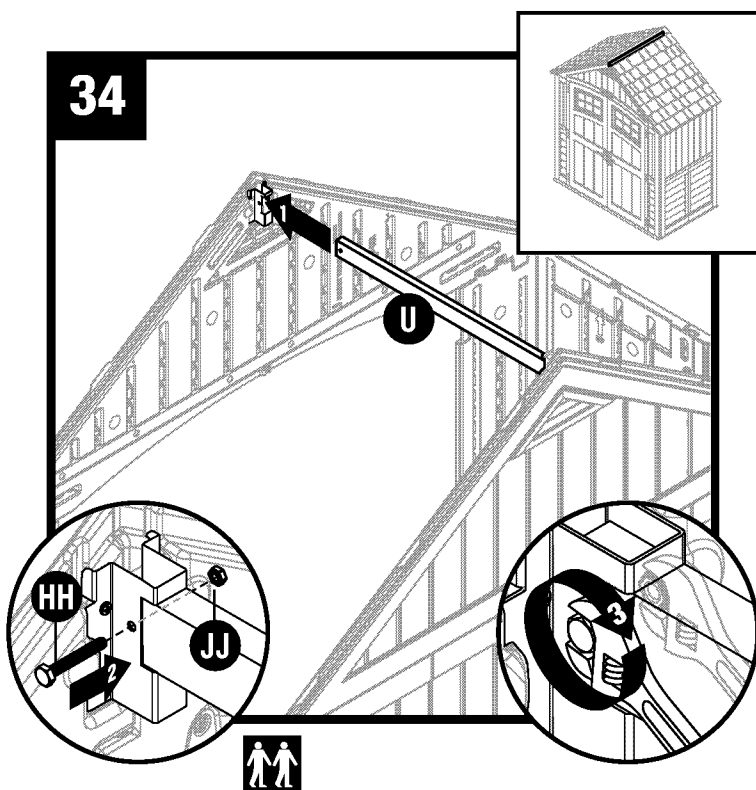
Place rear header (K) over back walls and fit four protruding support legs into pockets molded in back walls. Secure rear header using eight screws (KK).

## Shed Assembly/Headers and Truss (continued)



Raise ridge beam (U) up and into rear roof ridge beam bracket. Secure with one 2" hex bolt (HH) and one nut (JJ).

**Note:** Alignment of ridge beam to bracket may require header panels to be pushed inwards or outwards slightly as ridge beam is slid into place.

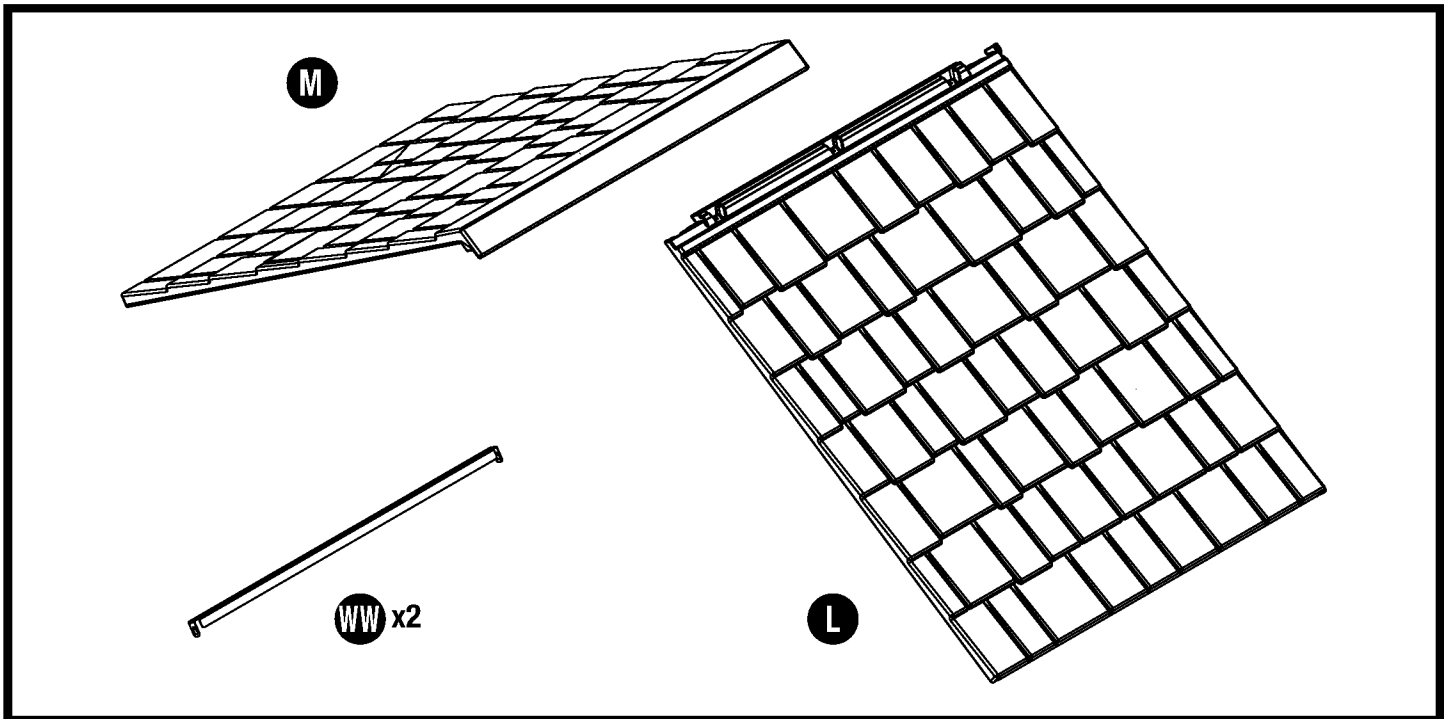



Slide ridge beam (U) into front roof ridge beam bracket. Secure with one 2" hex bolt (HH) and one nut (JJ).

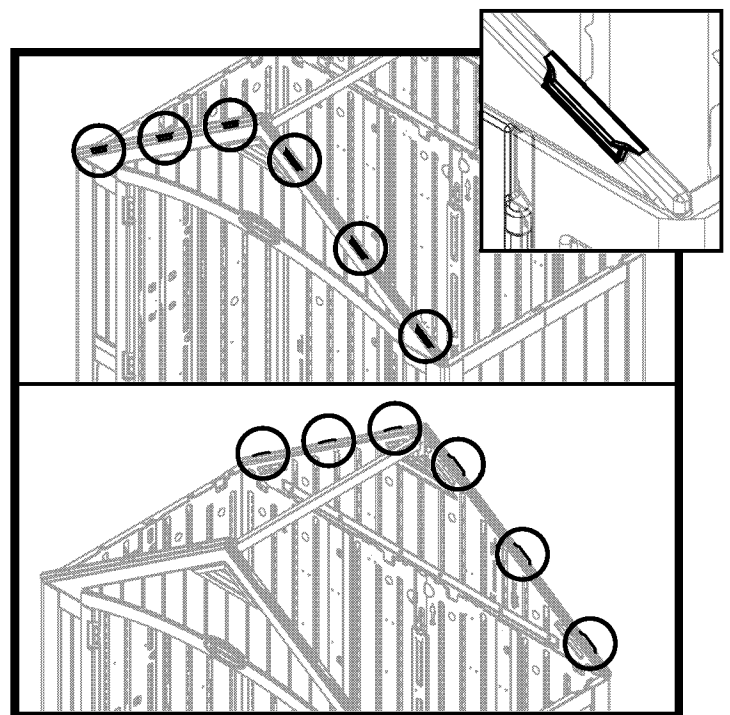
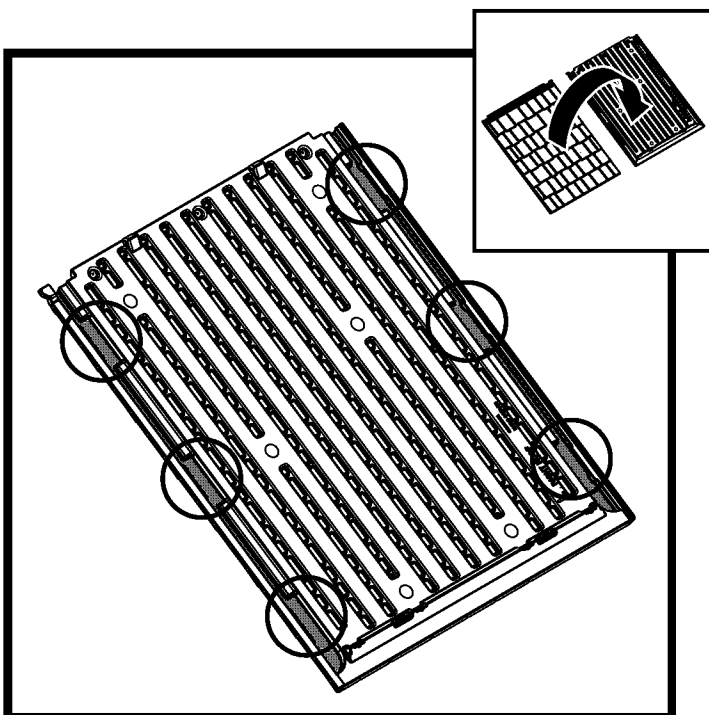
**Note:** Alignment of ridge beam to bracket may require header panels to be pushed inwards or outwards slightly as ridge beam is slid into place.



# Shed Assembly/Roof



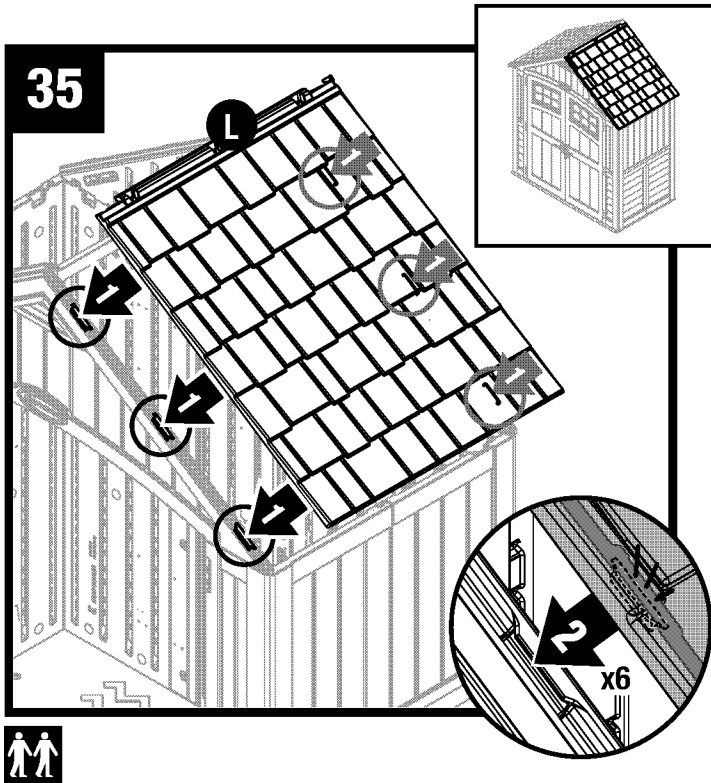
 **Note:** At least two people are needed during assembly.



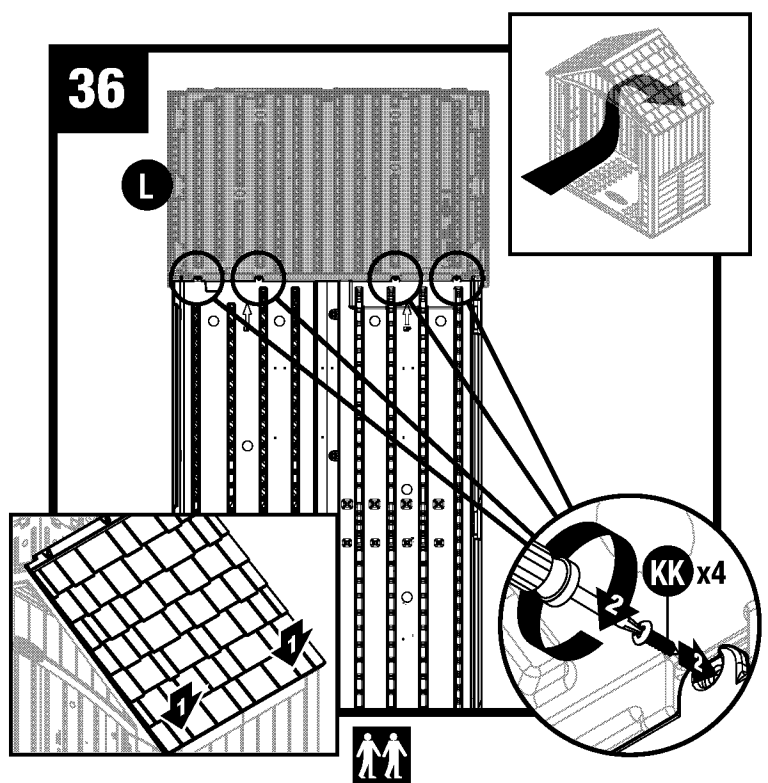
Before proceeding, locate and identify channels on interior side of right roof (L) and left roof (M). Locate three underside tabs contained within each channel.

Before proceeding, locate and identify six front header tabs and six rear header tabs.

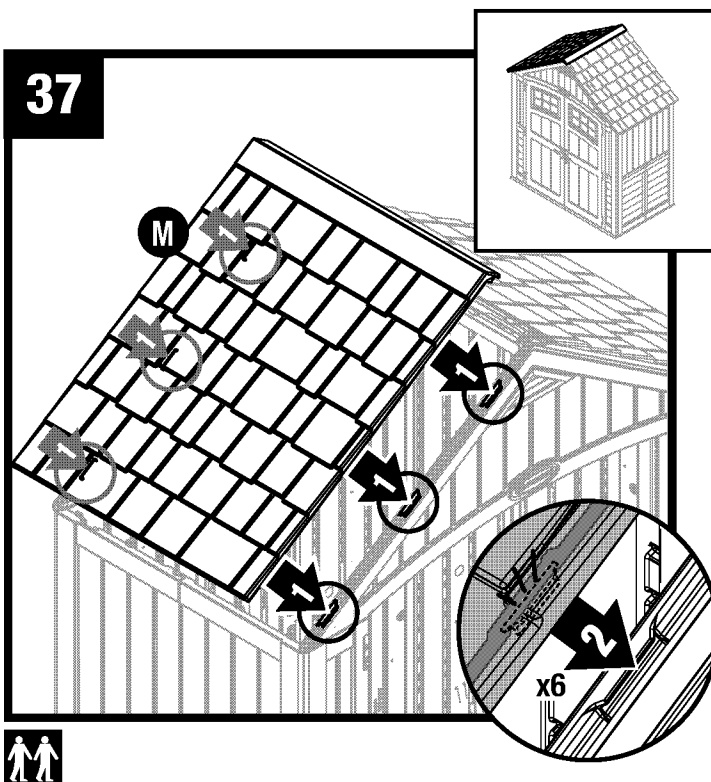
## Shed Assembly/Roof (continued)



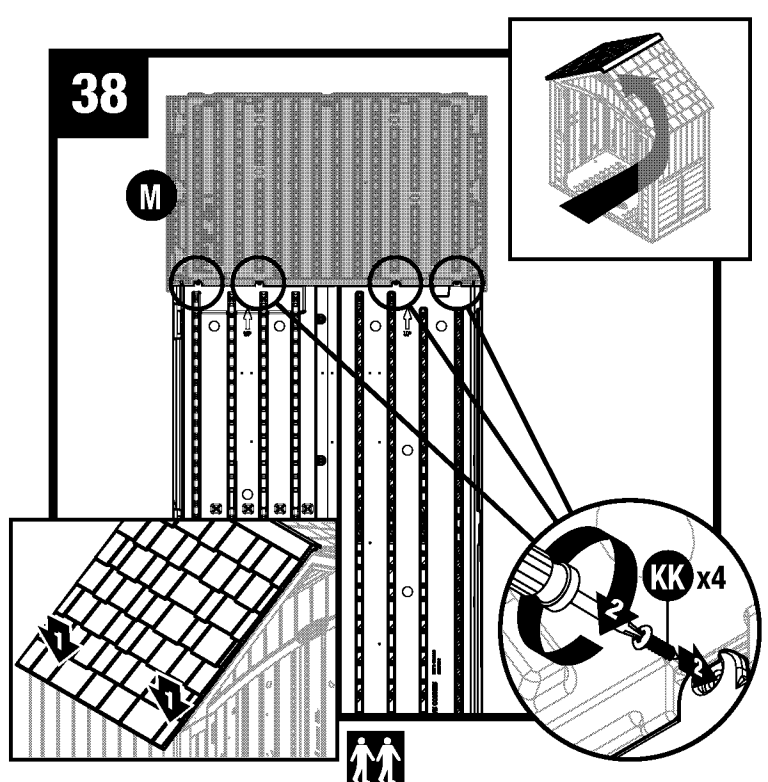
Lay right roof (L) directly over three tabs on right side of front header (J). With right roof channel seated over/on header tabs, pull right roof downward at each header tab until roof snaps in place.



Pull down each lower corner of right roof (L) from outside. From inside shed, attach each tab to the corresponding roof panel with one screw (KK).

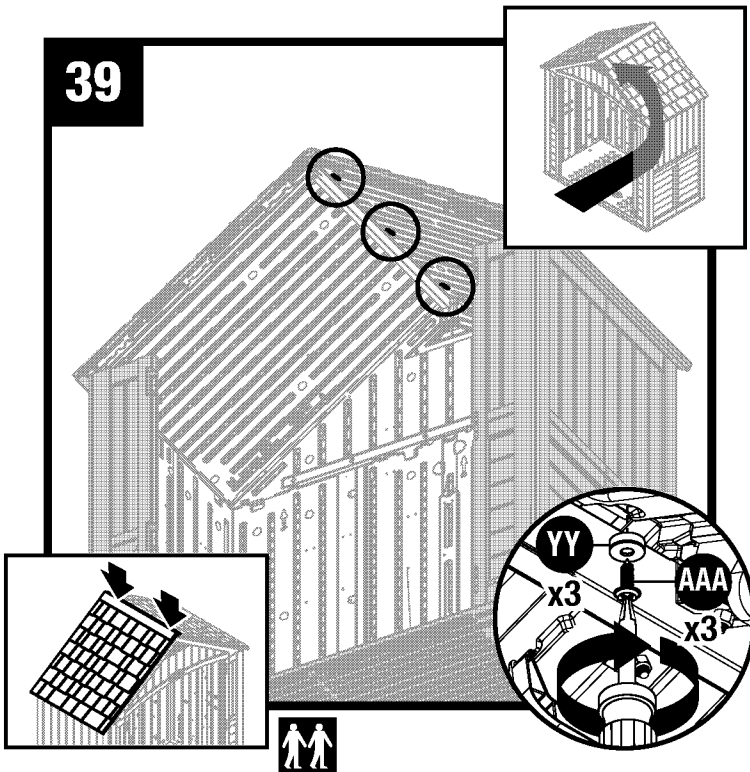


Lay left roof (M) directly over the three tabs on left side of front header (J). With left roof channel seated over/on header tabs, pull left roof downward at each header tab until roof snaps in place.



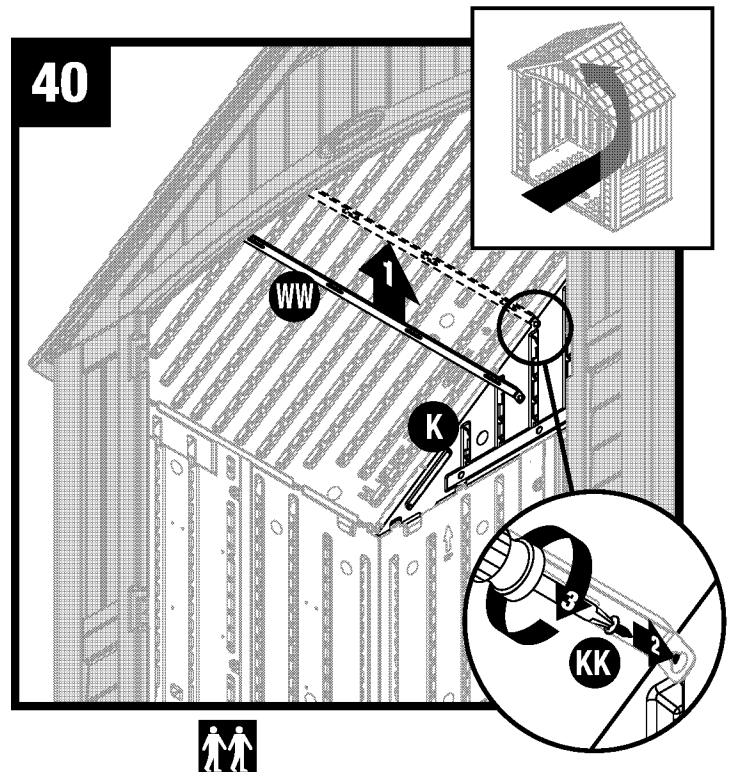
Pull down each lower corner of left roof (M) from outside. From inside shed, attach each tab to the corresponding roof panel with one screw (KK).

## Shed Assembly/Roof (continued)

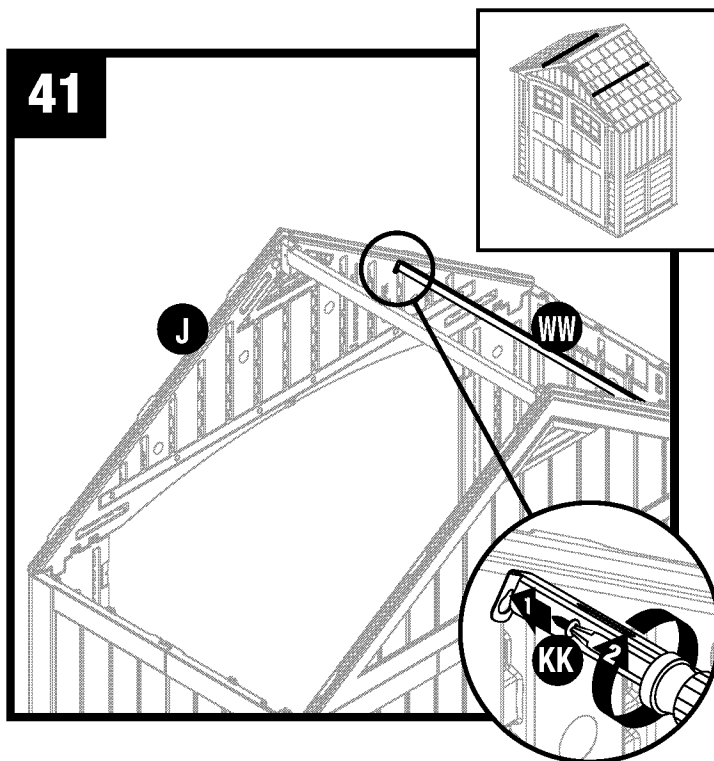


Push down the roof from outside. From inside shed, secure roof panels together along ridge of roof using three rubber washers (YY) and three sealing screws (AAA).

**Note:** For clarity, illustration is shown with front header removed.

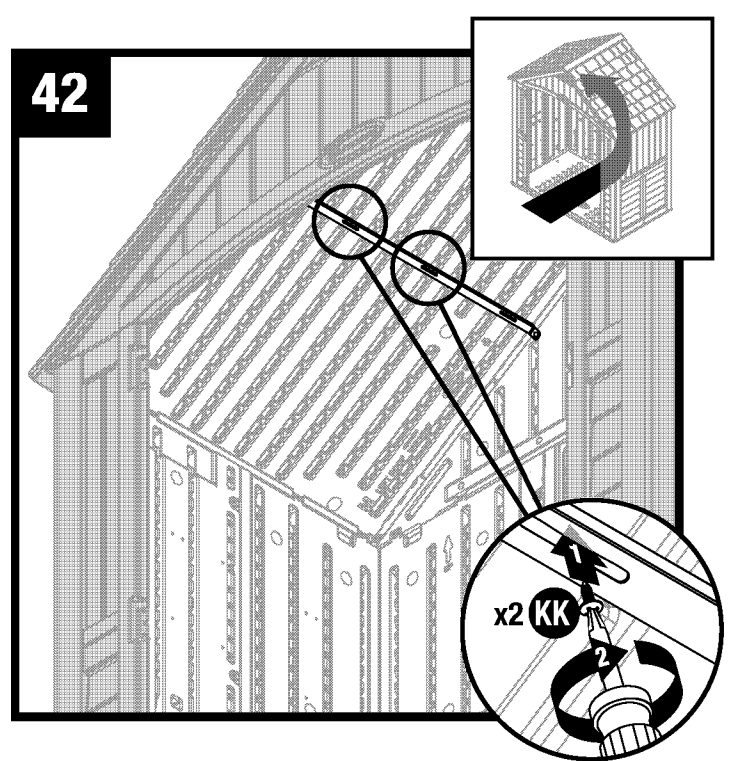


Raise roof support bar (WW) up against roof. Attach to rear header (K) with one screw (KK).



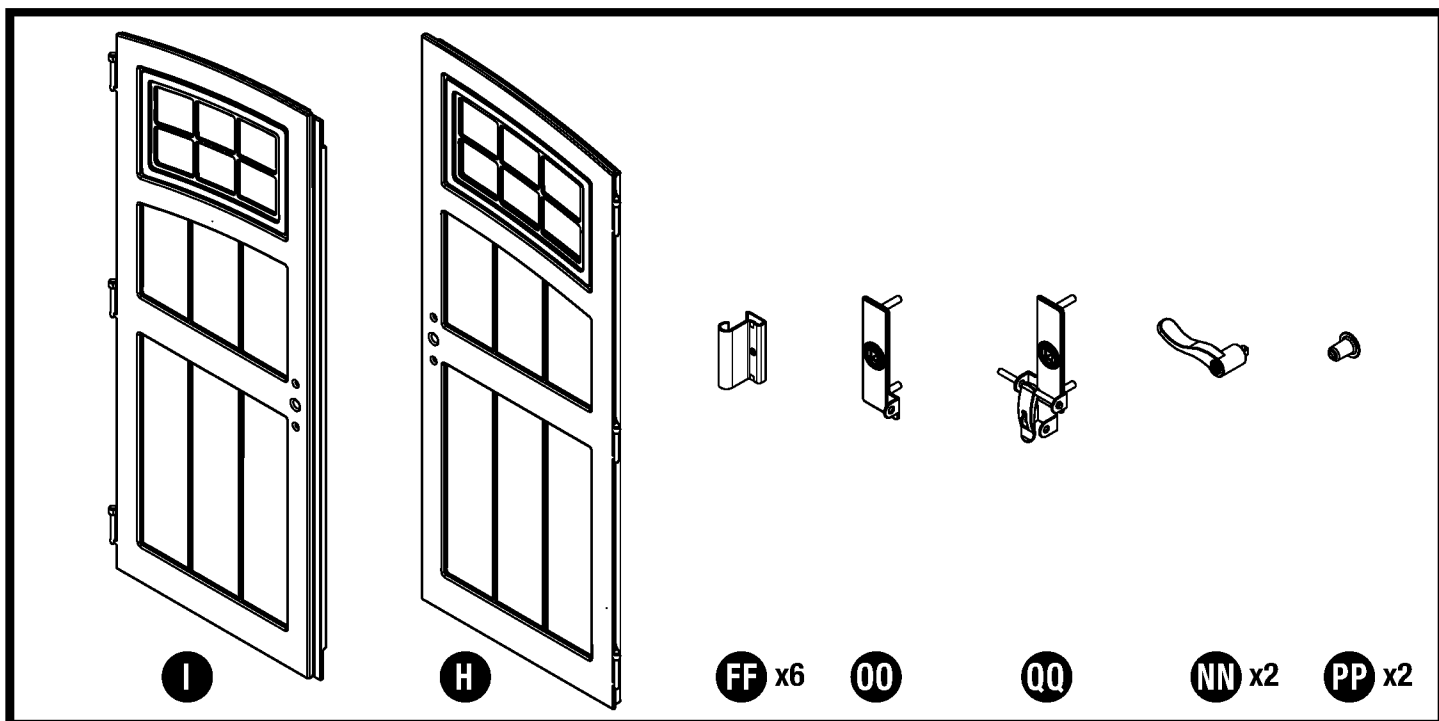
Secure the other end of roof support bar (WW) to front header (J). Secure with one screw (KK).

**Note:** For clarity, illustration is shown with roof removed.

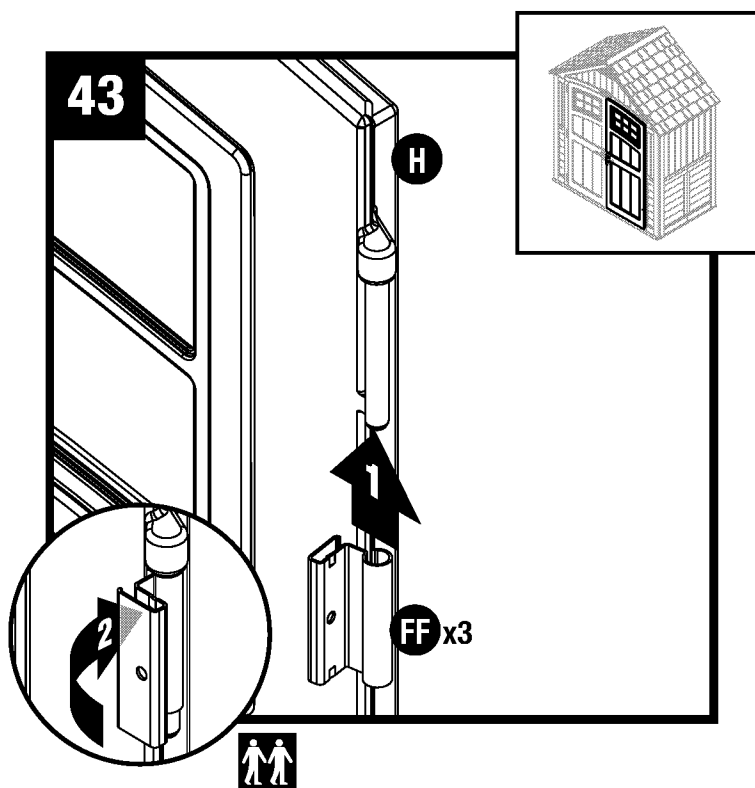


Secure roof support bar to roof using two screws (KK). Repeat Steps 40-42 for remaining roof support bar (WW).

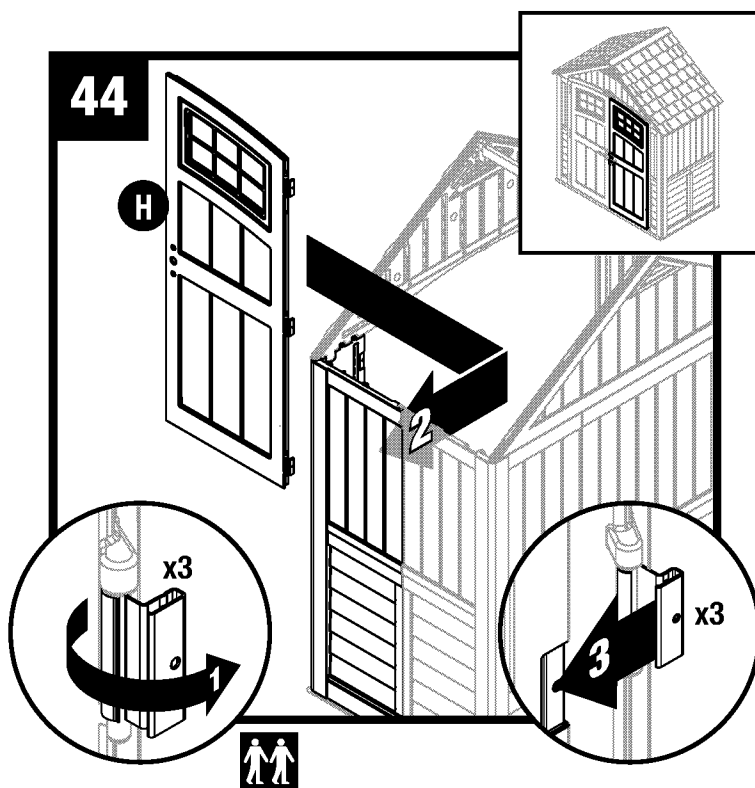
# Shed Assembly/Doors



**Note:** At least two people are needed during assembly.



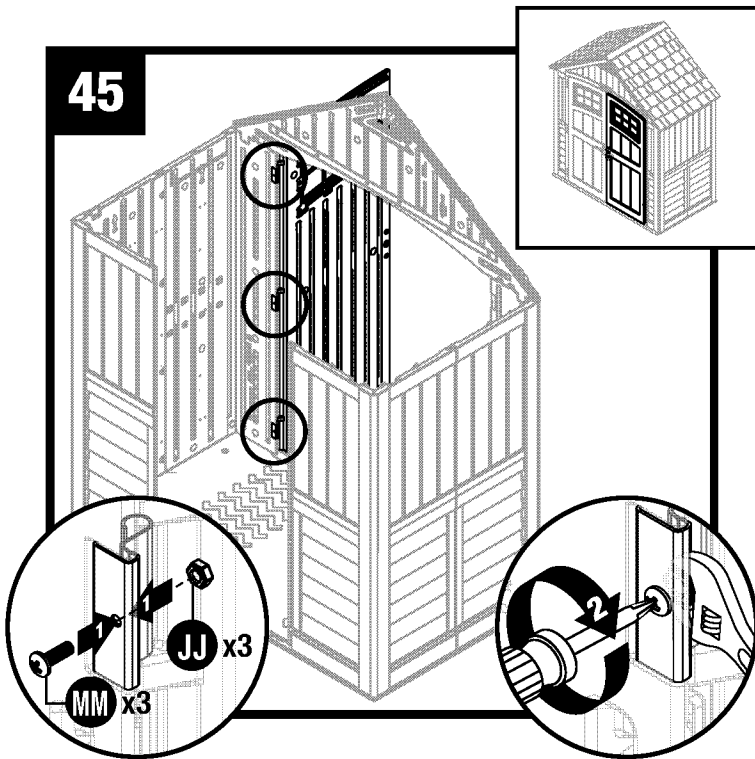
Stand right door (H) upright with three hinge mounts facing right. Slide one metal hinge plate (FF) up onto each hinge mount. Rotate hinge plates to outside of door.



Rotate metal hinge plates to open position. Slide one metal hinge plate over each hinge receptacle on inside of right front panel.

**Note:** For clarity, illustration is shown with roof removed.

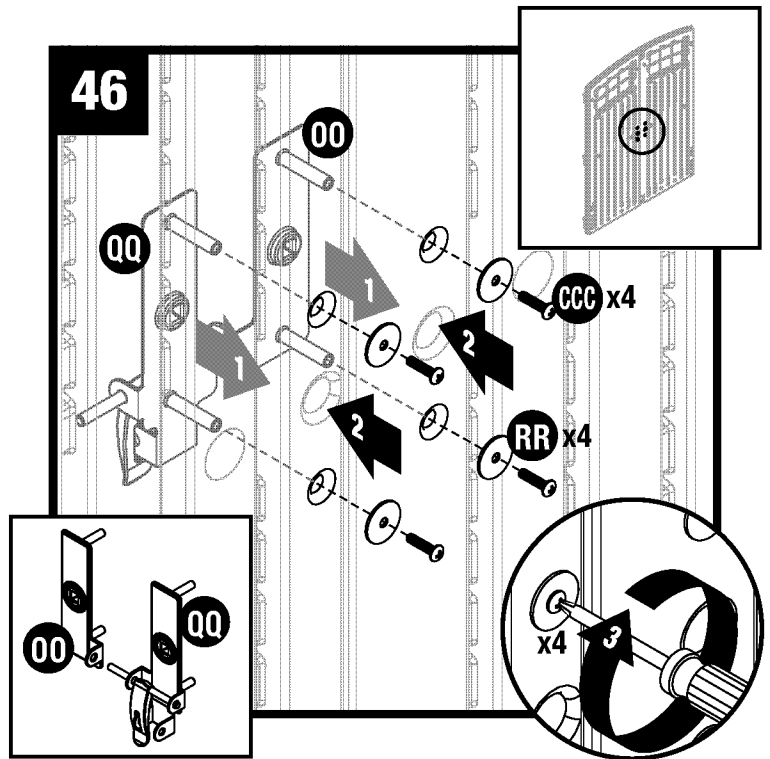
## Shed Assembly/Doors (continued)



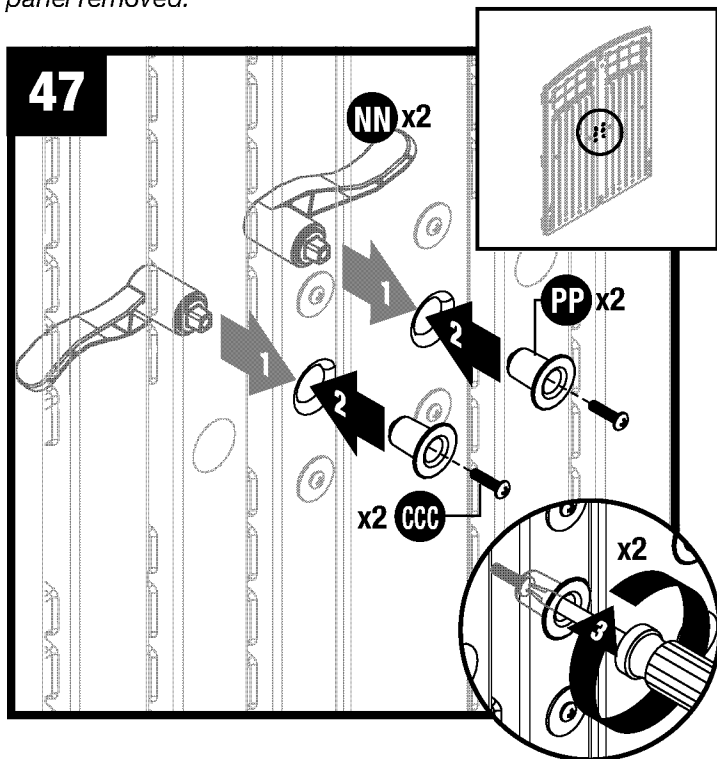
Secure each metal hinge plate with one screw (MM) and one nut (JJ).

Repeat Steps 43-45 for left door (I).

**Note:** For clarity, illustration is shown with roof and back panel removed.



Insert screw stems, on left and right handle plates (OO) and (QQ), through the pre-drilled holes in doors. While holding plates in place on exterior of door, secure each with two washers (RR) and two machine screws (CCC).



From the outside of doors, insert door handles (NN) through handle plate holes. On inside of doors, place spacers (PP) on each door handle, and secure each with one machine screw (CCC).



Complete.

# Warranty

Suncast® Corporation, 701 North Kirk Road, Batavia, Illinois 60510 (Manufacturer) warrants to the original purchaser only that the enclosed product is free from material and workmanship defects under normal, household use at time of purchase.

This limited warranty does not apply to damage resulting from accident, neglect, misuse, commercial use, alteration, operation not in accordance with instruction or repairs made or attempted by unauthorized persons.

This limited warranty applies only to the product enclosed and does not apply to accessory parts.

**THE MANUFACTURER'S LIABILITY HEREUNDER IS LIMITED SOLELY TO THE REPAIR OR REPLACEMENT OF THE DEFECTIVE PRODUCT OR PART AND THE MANUFACTURER SHALL IN NO EVENT BE LIABLE FOR ANY INCIDENTAL OR CONSEQUENTIAL DAMAGES WHICH MAY RESULT FROM ANY DEFECT IN MATERIAL OR WORKMANSHIP OR FROM THE BREACH OF ANY EXPRESS OR IMPLIED WARRANTY.**

Some states do not allow the exclusion or limitation of incidental or consequential damages, or a limitation of how long an implied warranty lasts, so the above limitations may not apply to you. This warranty gives you specific legal rights, and you may have other rights which may vary from state to state.



