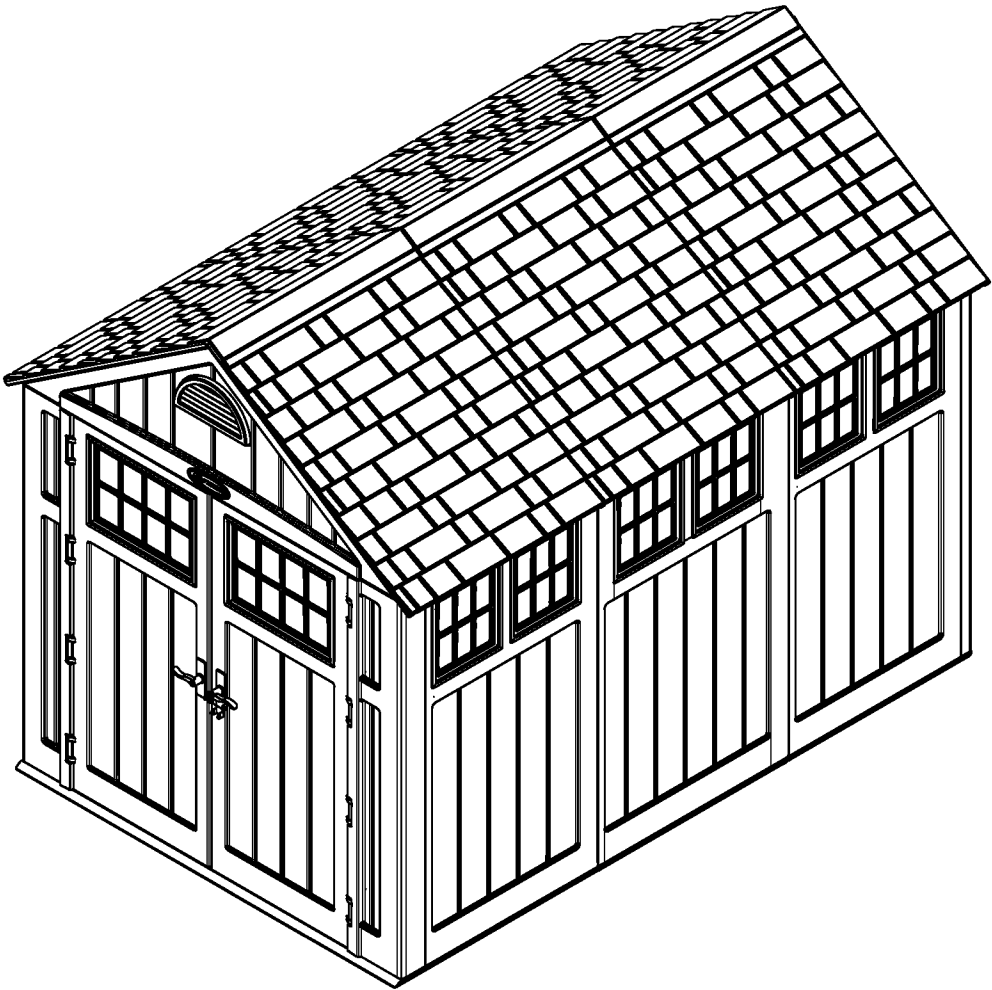





BMS8000 – Alpine™
Blow Molded Resin Storage Shed
ASSEMBLY INSTRUCTIONS



Quality Control Number: Numéro de controle de qualité: Número de control de calidad:	Assembled exterior dimensions 7' 6" W. x 10' 8" D. x 8' 7" H.
--	---

Before You Begin...

- **Consult your local authorities for any permits required to construct shed.**
Prior to the construction of your shed, check with the local building code official to review any required permits or building limitations.
- **A level and sturdy foundation is required before shed construction can begin.**
Site preparation information is available on pages 11-12. A foundation that differs from the suggestions within this manual could prevent proper assembly and may damage parts.
- **Read instructions thoroughly prior to assembly.**
This kit contains parts that can be damaged if assembled incorrectly or in the wrong sequence.
- **Please follow instructions.**
Suncast is not responsible for replacing parts lost or damaged due to incorrect assembly.
- **Check for all parts before you begin assembly.**
Using the provided parts check list on pages 5-10, verify that you have all the parts required to construct your shed model. **COMPLETE SITE PREPARATION AND FOUNDATION CONSTRUCTION BEFORE UNPACKING ALL PARTS.**
- **Assistance is required during entire assembly.** 



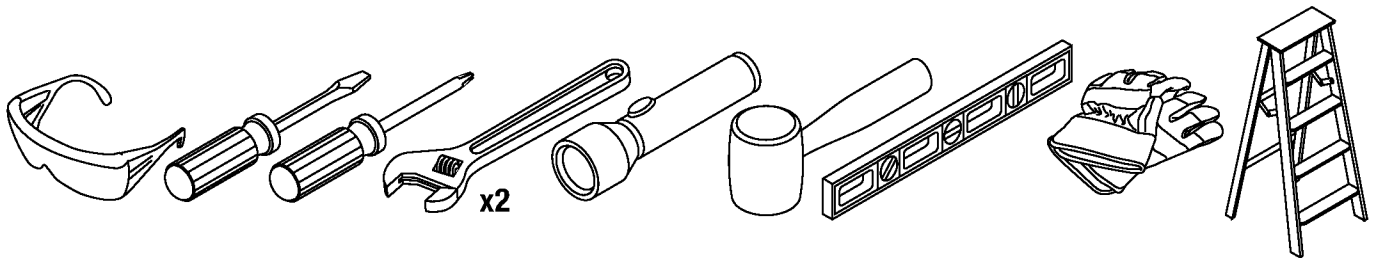
CAUTION

- Proper site preparation required.
- Shed not intended for use in extreme weather conditions.
- Shed not intended for storage of flammable or caustic chemicals.
- Store heavy items near the bottom of shed.
- Shed not intended for use by children.
- **DO NOT** stand, sit, or store items on storage shed roof.
- Treat carefully in extreme temperatures.
- Repair or replace broken parts immediately.
- Suncast is not responsible for damage caused by weather or misuse.
- At regular intervals inspect your shed to make sure that assembly integrity has been maintained.
- Periodically check that the location you have chosen to set your shed is still level.
- This kit contains parts with metal edges. Please be careful when handling.

Shed Safety and Care

- Hot items, such as recently used grills, blowtorches, etc., must not be stored in the shed.
- Heavy articles should not be leaned against the walls, as this may cause panel distortion and permanent damage.
- Keep roof clean of snow and leaves.
- The shed walls and roof sections have a textured exterior, much like vinyl home siding. Over time, dust may accumulate in the texture. When combined with moisture, this could encourage the growth of moss or mold on the shed. To maintain the look of your shed, we recommend cleaning it each year with mild soap and water. **DO NOT** use bleach, ammonia, or other caustic cleaners, and **DO NOT** use stiff bristle brushes. Failure to perform annual cleaning could result in permanent staining of the plastic. This is not a manufacturing defect and is not covered under warranty.

Tools Needed for Installation



Assembly Day Tips

- Complete site preparation and foundation construction before unpacking parts and beginning assembly.
- **DO NOT** attempt to assemble on a day with strong winds.
- **DO NOT** attempt to assemble on days when temperature is below 32 degrees.
- Set aside appropriate amount of time to completely assemble shed.
- Make sure you have assistance nearby to lift and secure parts in place.
- Wear light duty work gloves while assembling shed.
- Once roof is assembled, a flashlight may be of use when assembling smaller components inside shed.
- Suncoast provides extra hardware for small fasteners for customer convenience. In some cases, there will be extra small fasteners once the assembly is complete.

Note: This product contains parts that are used in different orientations to construct the shed. Please take note of the orientation of the parts shown throughout this instruction manual. Failure to follow instructions could result in damage to parts. Suncoast is not responsible for replacing parts lost or damaged due to incorrect assembly.

Suncast Products and Replacement Parts

To purchase Suncast replacement parts and learn about other Suncast products, visit us online or call.

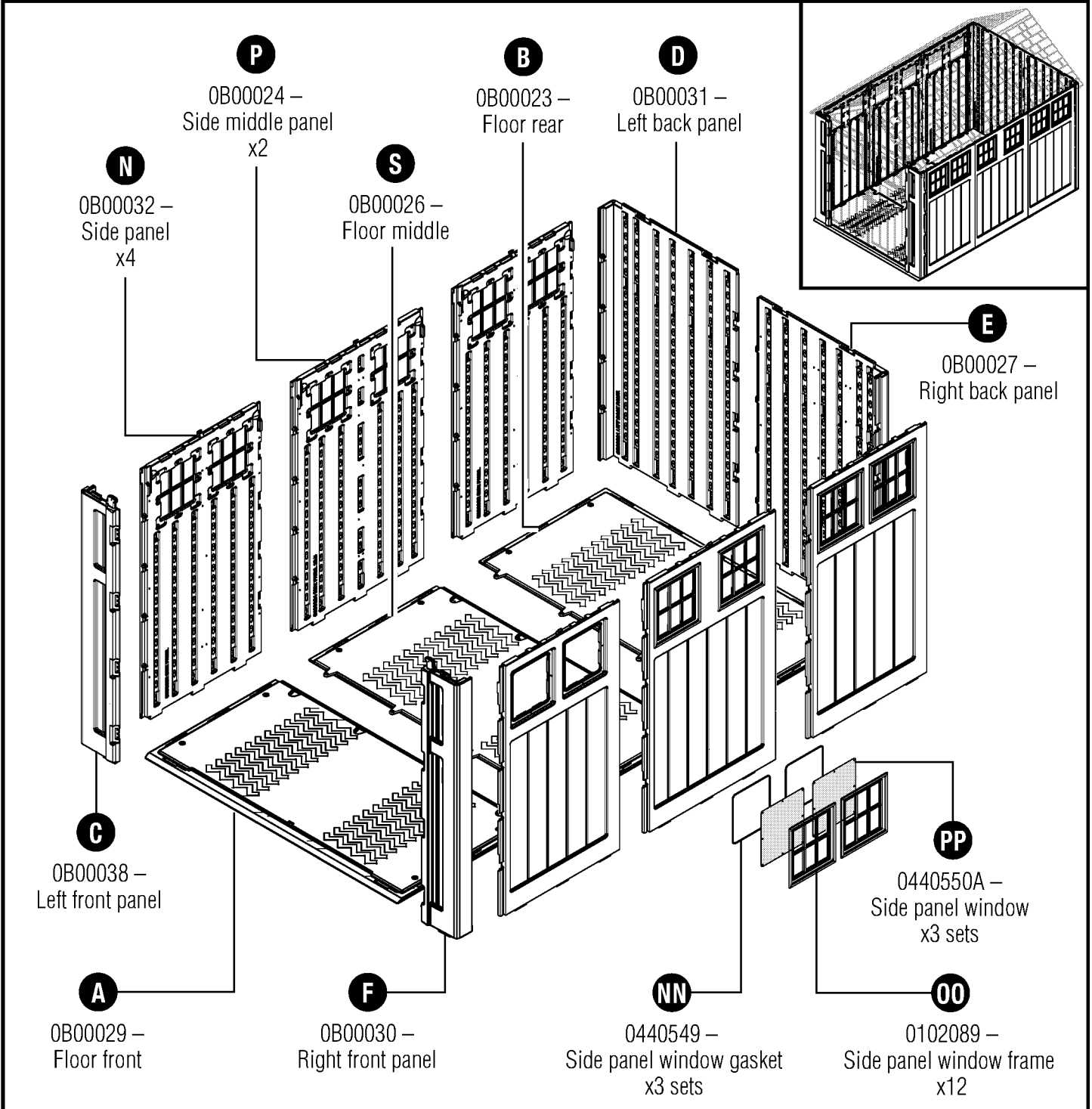


www.suncast.com
24 hours a day, 7 days a week, 365 days a year

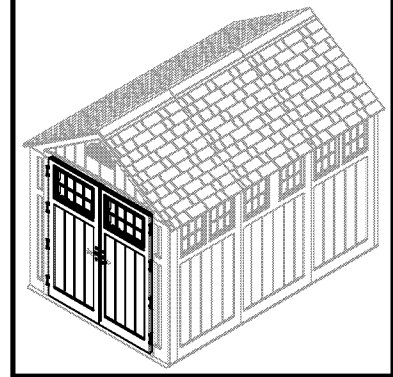


1-800-846-2345 or 1-630-879-2050
Monday - Friday, 6 am - 8 pm CST

Parts - BMS8000 Walls and Floors

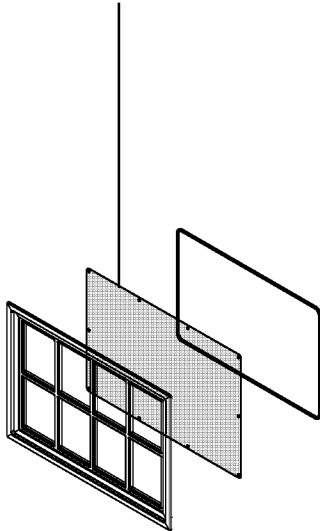


Parts - BMS8000 Doors



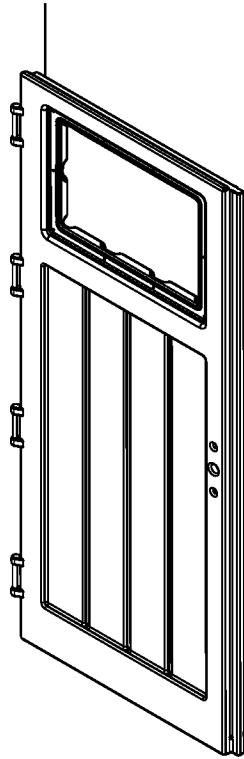
II

0440544B –
Door window
x1 set



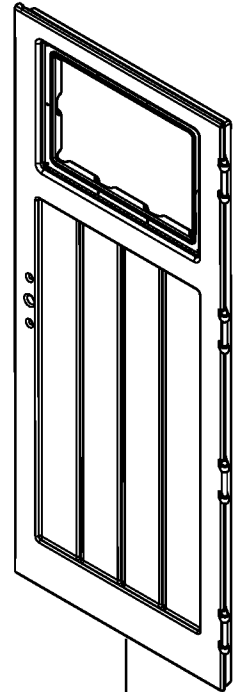
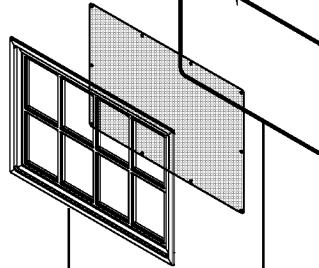
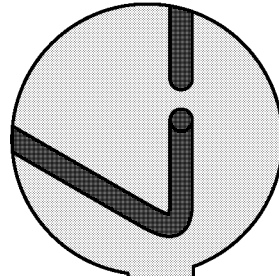
J

0B00041 –
Left door



HH

0280384 –
D-ring bolt
x2



T

0102086 – Door
window frame
x2

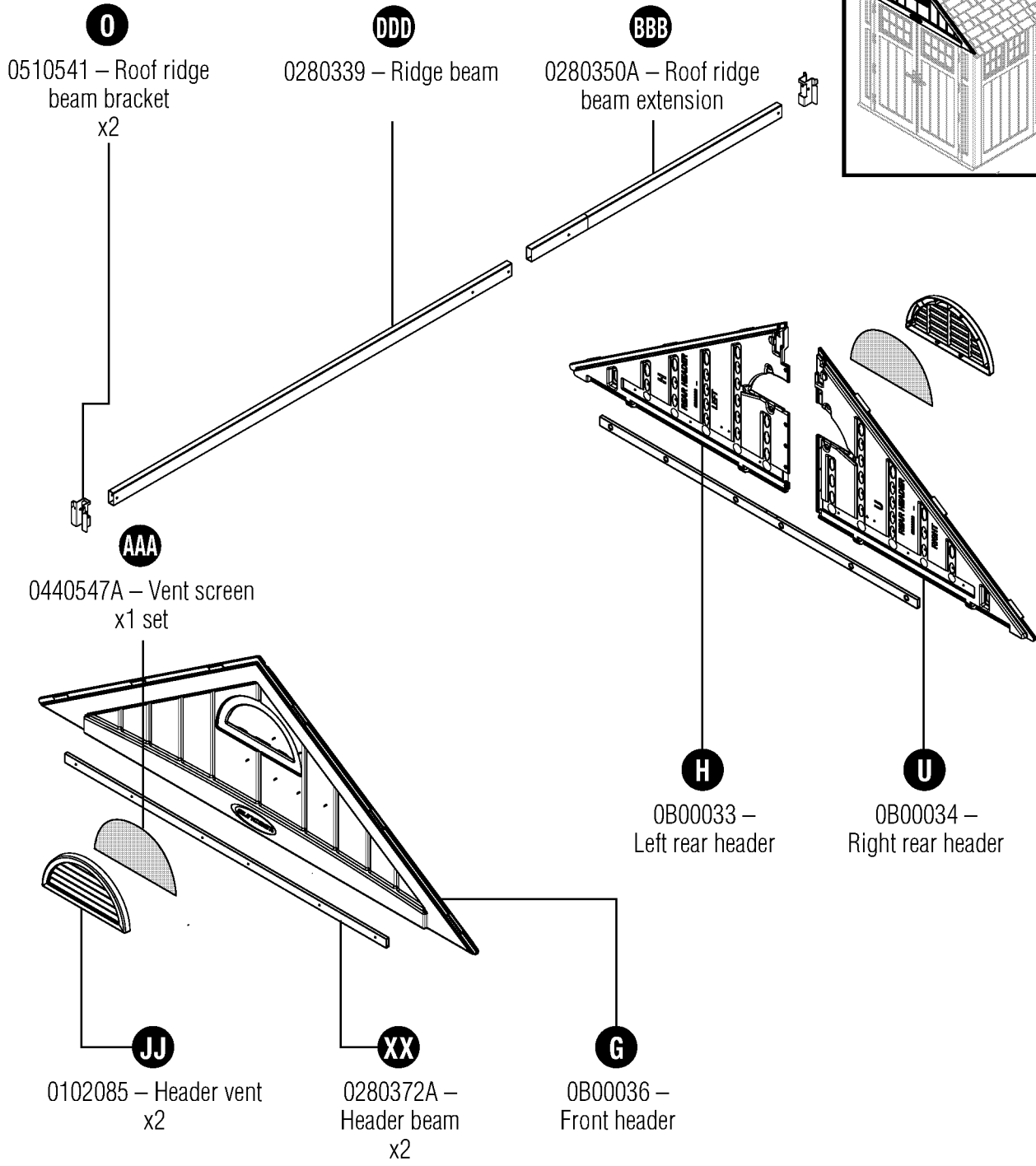
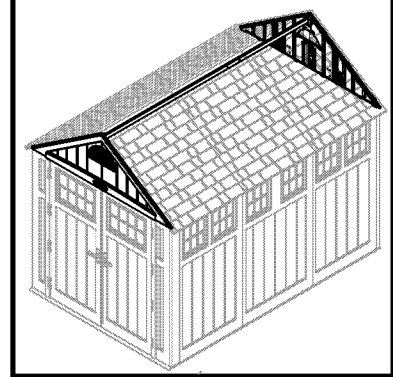
I

0440546A – Door
window gasket
x2

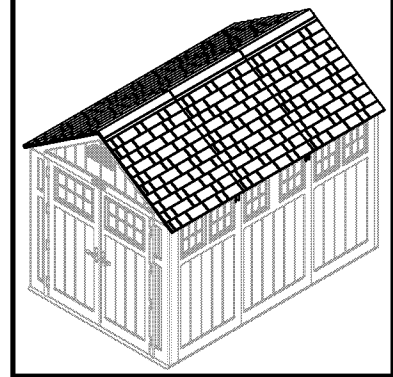
K

0B00039 –
Right door

Parts - BMS8000 Headers



Parts - BMS8000 Roof and Truss



WW

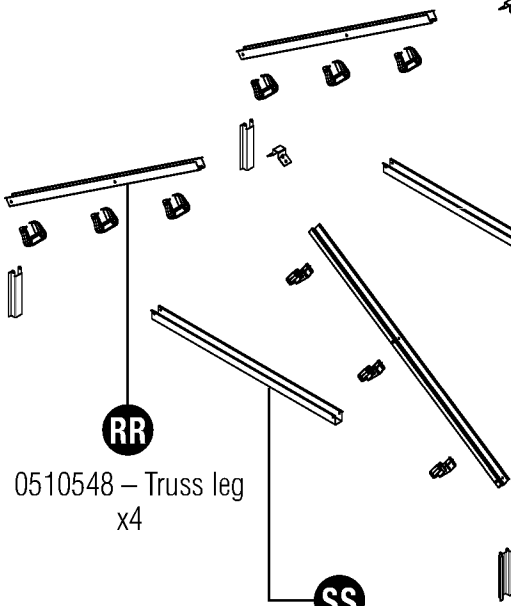
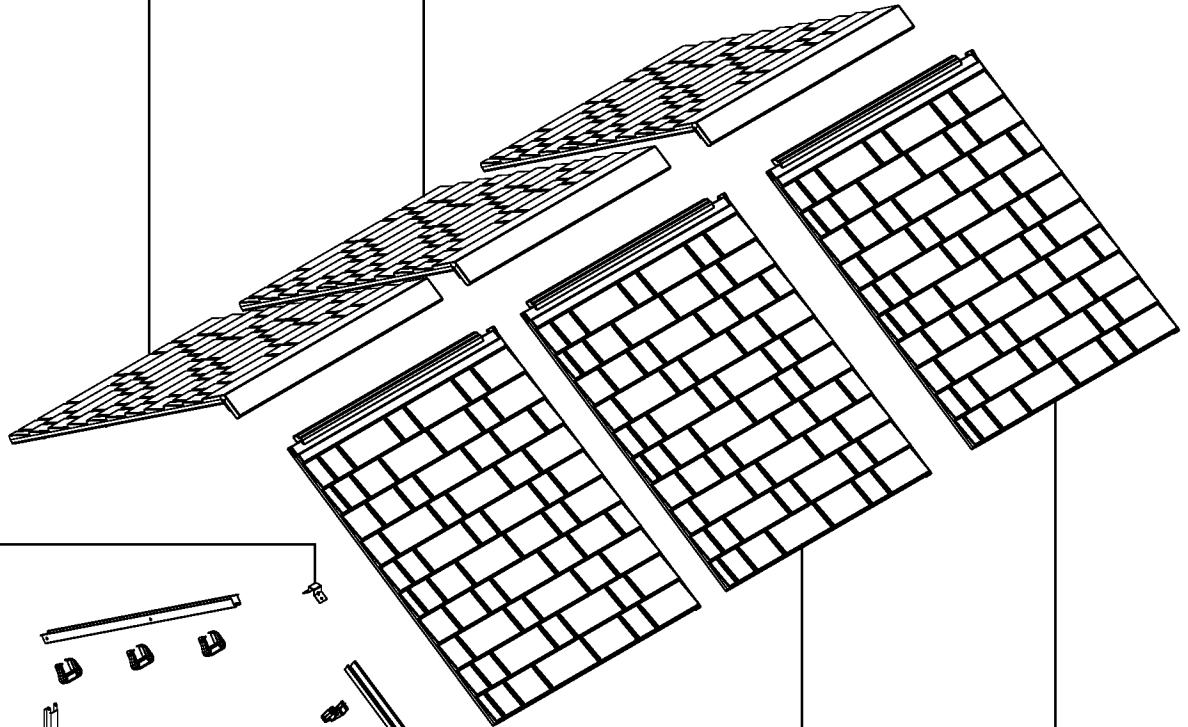
0510551 –
Truss bracket
x2

L

0B00042 –
Left roof
x2

Q

0B00040 –
Left middle roof
x1



RR

0510548 – Truss leg
x4

SS

0510542 – Truss cross brace
x2

TT

010208810 –
Roof connector
x12

UU

0510545 – Truss tie down
x4

R

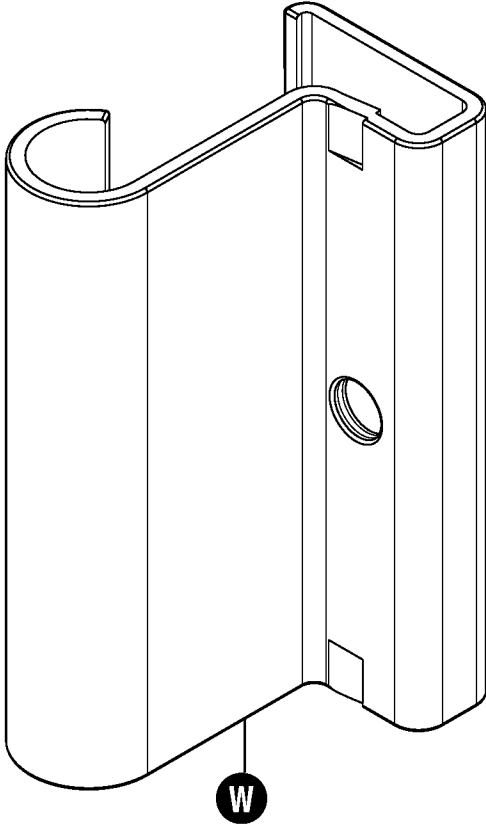
0B00035 –
Right middle roof
x1

M

0B00037 –
Right roof
x2

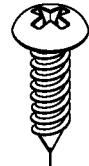
Hardware - BMS8000

0440661 – Hardware bag



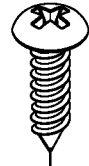
W
0510550A – Hinge plate
x8

0480246B – Hardware bag

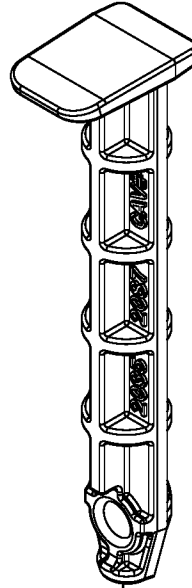


AA
.625"
Pan head screw
x85

0480257A – Hardware bag x3

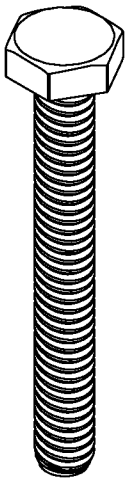


AA
.625"
Pan head screw
x45



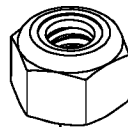
V
0102087 – Panel connector pin
x53

0480274A – Hardware bag



X

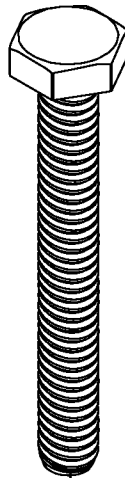
.25" x 2" Hex bolt
x4



Z

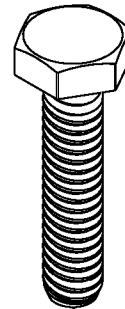
.25" Locking nut
x4

0480250A – Hardware bag



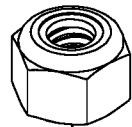
X

.25" x 2" Hex bolt
x8



W

.25 x 1" Hex bolt
x4



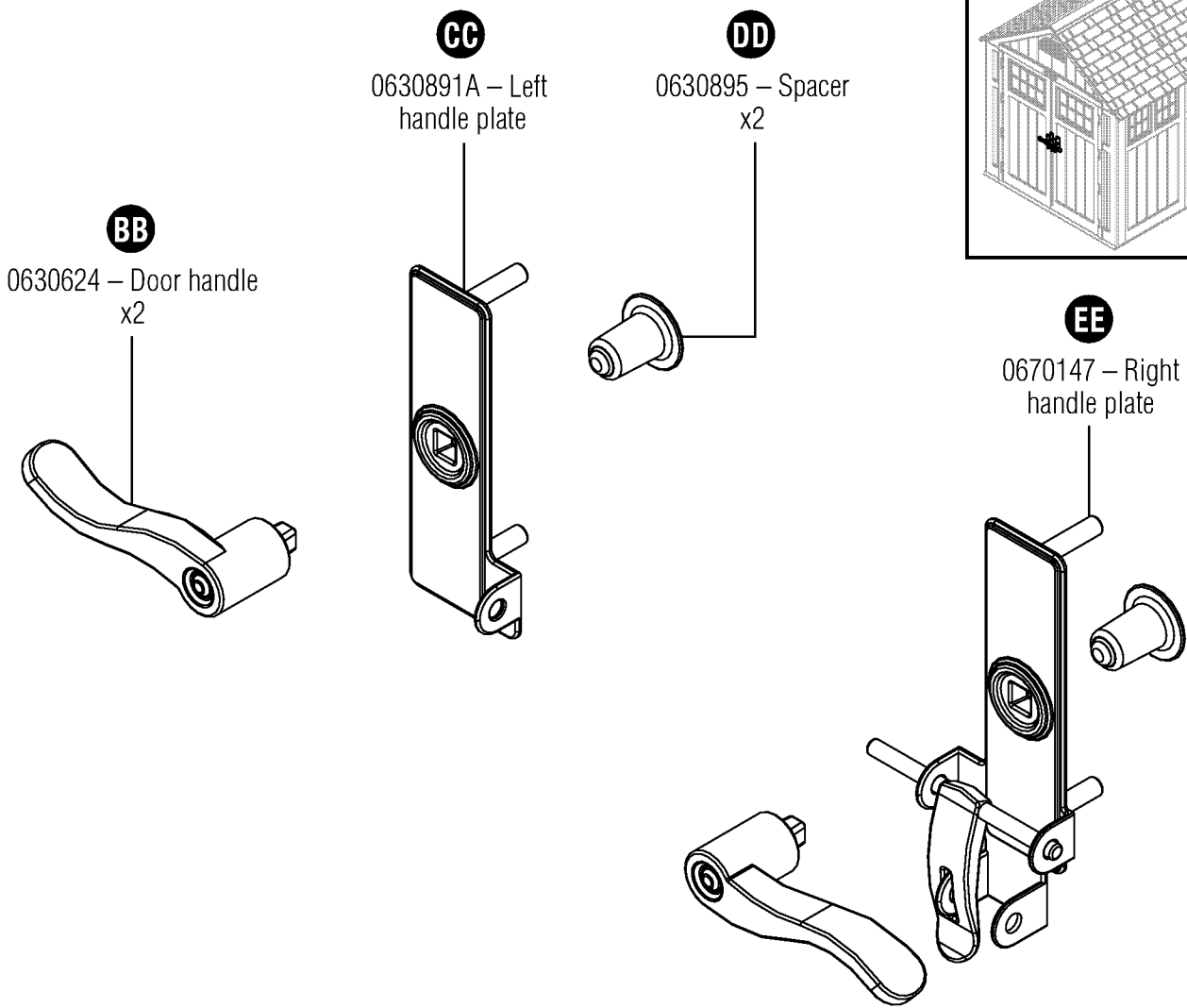
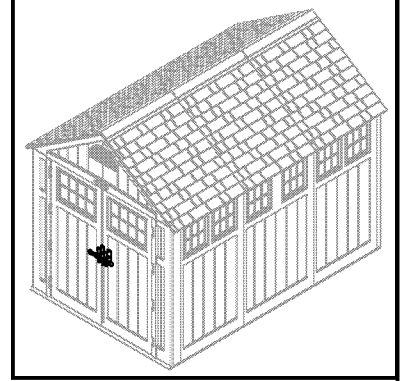
Z

.25" Locking nut
x12

Hardware shown at actual size (*Unless otherwise noted.) Extra hardware provided. Not all are used.

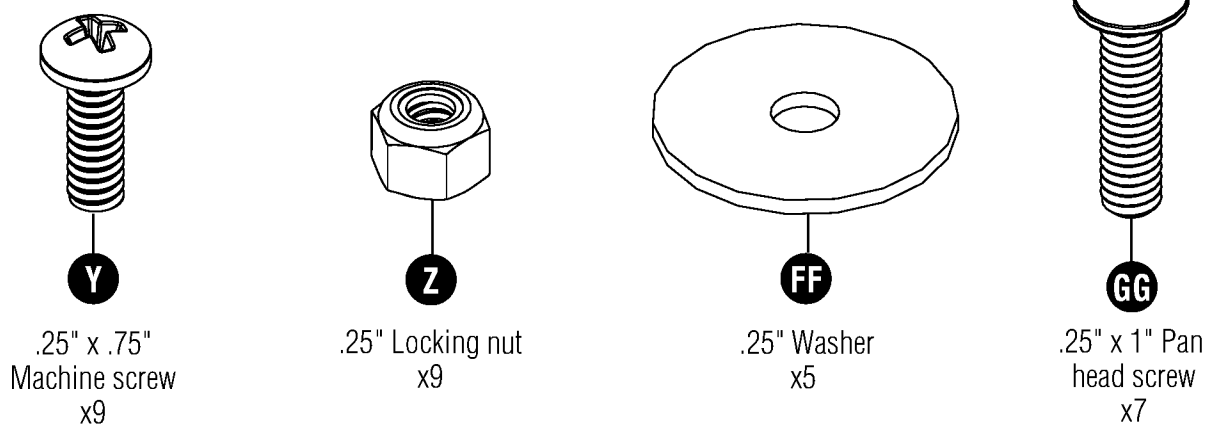
Door Handle Kit - BMS8000

0440647 – Door Handle Kit



Hardware

0480309 – Hardware bag



Hardware shown at actual size (*Unless otherwise noted.) Extra hardware provided. Not all are used.

Site Preparation and Platform Construction

Materials **NOT** supplied with BMS8000 Shed Kit

Note: Site preparation is required for this shed. Placing the shed on a constructed foundation is required. Without a constructed foundation, settling will occur, causing distortion and damage to the shed. Suncoast is not responsible for replacing parts damaged or property lost due to incorrect assembly.

Note: Complete the site preparation and foundation construction before unpacking parts and beginning assembly.

To prepare your shed site, follow the below steps:

- 1) Consult your local authorities for building codes and covenants before beginning foundation or erecting shed.
- 2) Before any digging, check with local utilities to determine location of buried cables, pipes, etc.
- 3) Decide which type of foundation you want:
 - Concrete slab, 4" thick

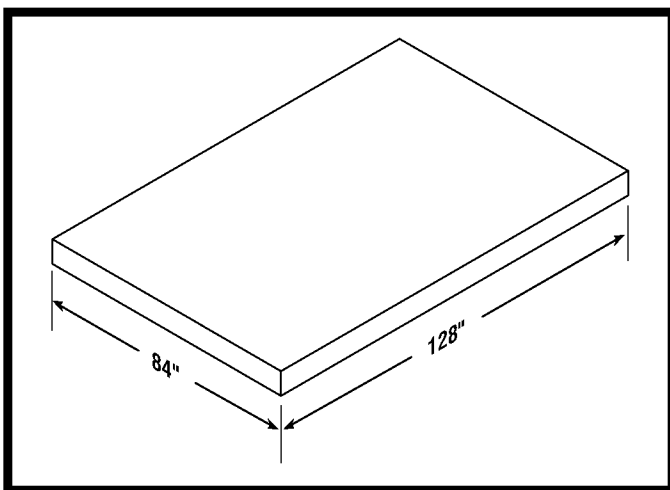
OR

- Wood platform

Use exterior grade wood. The wood platform should be set on pier blocks or footing. Consult your local retailer for help to determine the best anchoring method for your particular installation. The provided plans are sized for the minimum number of cuts to lumber and plywood.

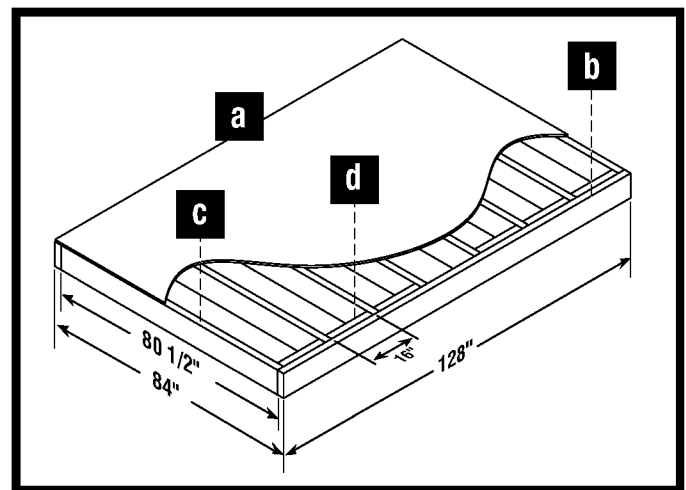
- 4) Prepare the building site:
 - The ground should slope away from the foundation area to provide drainage.
 - The foundation surface must be flat and level.
 - A vapor barrier should be provided to prevent excessive condensation in the shed.
 - Follow local building codes for a proper vapor barrier.
- 5) Anchoring the shed to the foundation:
 - Consult your local retailer for help to determine the best anchoring method for your particular installation.
 - To secure the shed to a concrete slab, use masonry fasteners available at your local hardware retailer.
 - To secure the shed to a wood platform, use 1/4" x 2" long lag screws with washers.

Anchoring floor panel to concrete slab



- Secure shed to concrete slab using masonry fasteners.
- Dimensions allow for shed to fit within the nearest 1" on each side.

Anchoring floor panel to wood platform

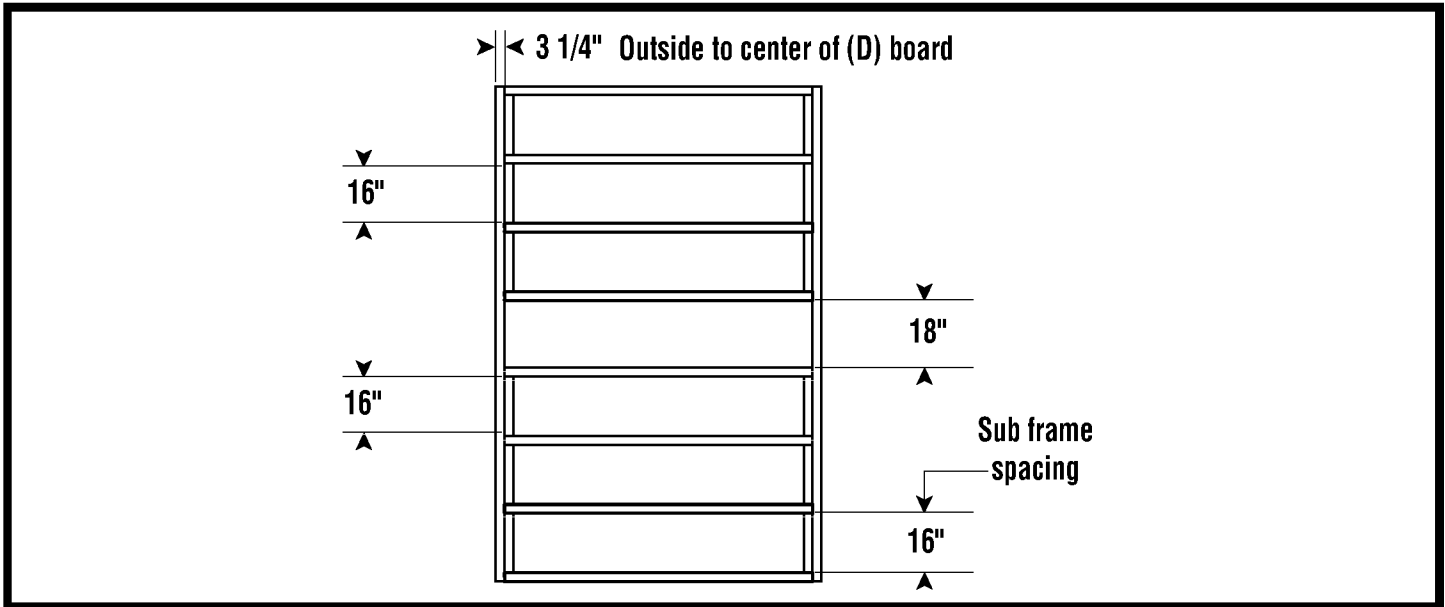


- Secure shed to wood platform using 1/4" x 2" lag screws.

Site Preparation and Platform Construction (continued)

Materials NOT supplied with BMS8000 Shed Kit

Wood platform critical spacing



- Check all critical spacing measurements.

The 3D diagram shows the platform's dimensions and component labels:

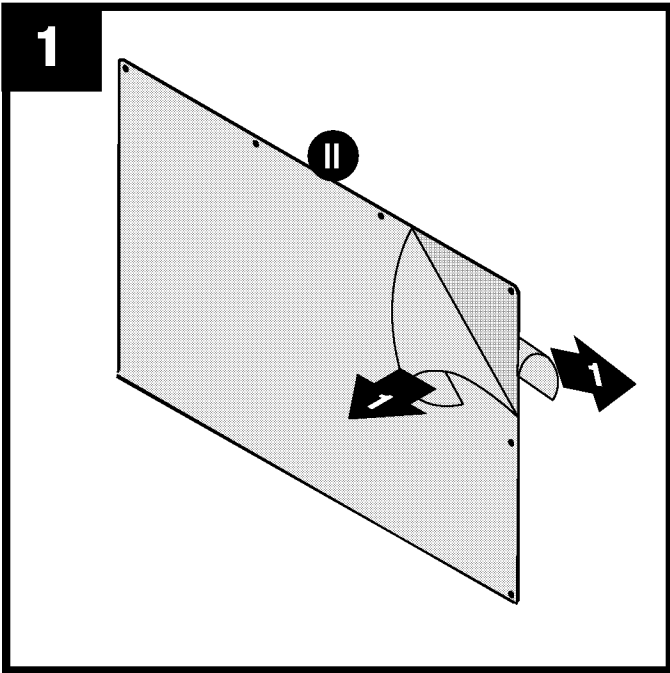
- Label **a**: Top edge of the platform.
- Label **b**: Side edge of the platform.
- Label **c**: A curved support structure.
- Label **d**: A vertical support post.
- Dimensions: $80 \frac{1}{2}$ " (width), 84" (depth), 128" (length), and 16" (height of support).

Materials list

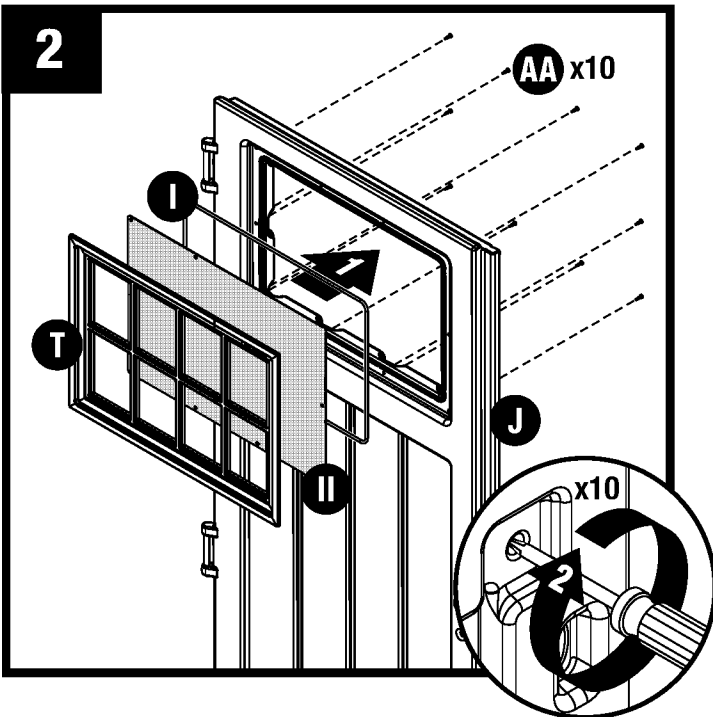
Item	Qty	Size
a	1	84" x 128" x $\frac{3}{4}$ "
b	2	2" x 6" x 128"
c	8	2" x 6" x $80 \frac{1}{2}$ "
d	12	2" x 6" x 16"

Door Pre-Assembly

Parts/hardware needed for door pre-assembly are shown on pages 6 and 9.



Peel film from both sides of window (II).



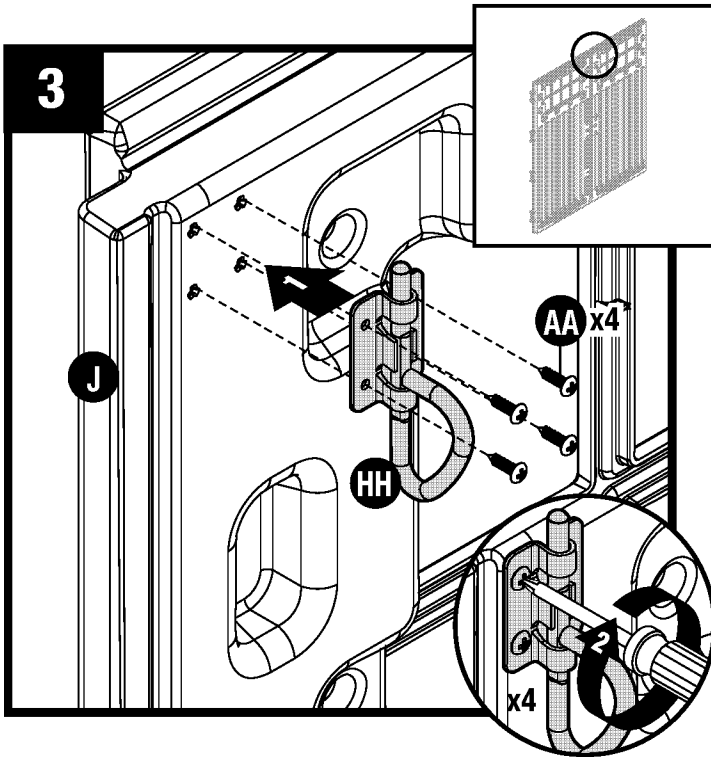
Stand left door (J) vertically. In this order, layer into door channel the door window gasket (I), door window (II), and door window frame (T). From the back of door, secure layers with ten screws (AA) (start with four corner screws and then finish with remaining screws). **DO NOT** over tighten screws. Repeat steps 1 and 2 for right door (K).

Note: The cut portion of window gasket (I) **MUST** be assembled on bottom of door channel.

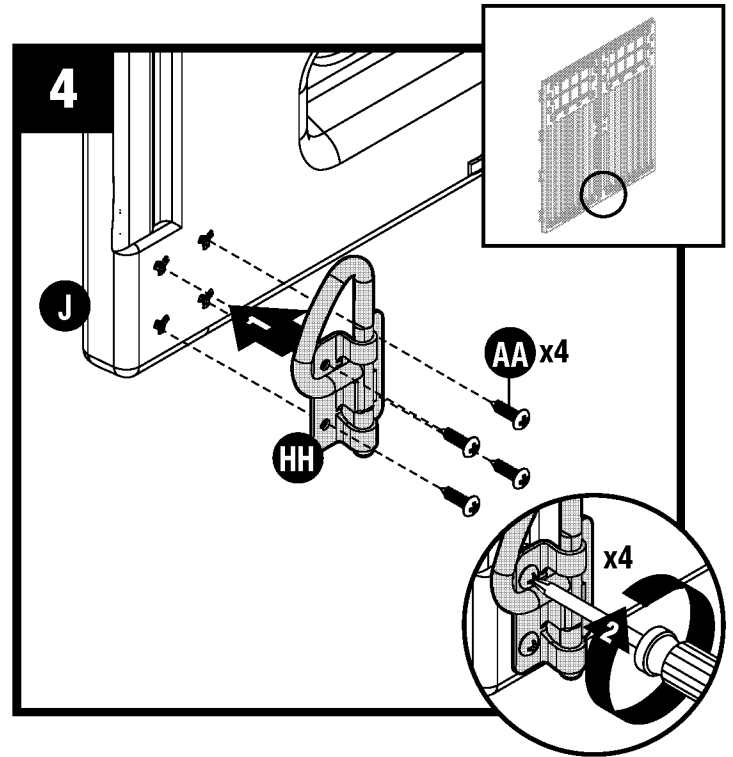


Note: At least two people are needed during assembly.

Door Pre-Assembly (continued)



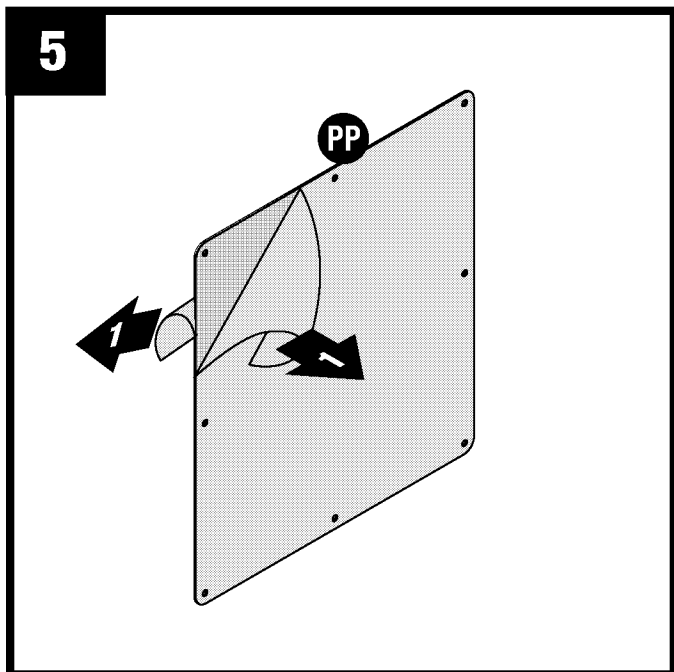
At top interior side of left door (J), attach D-ring slide bolt (HH) with four screws (AA) through provided holes.



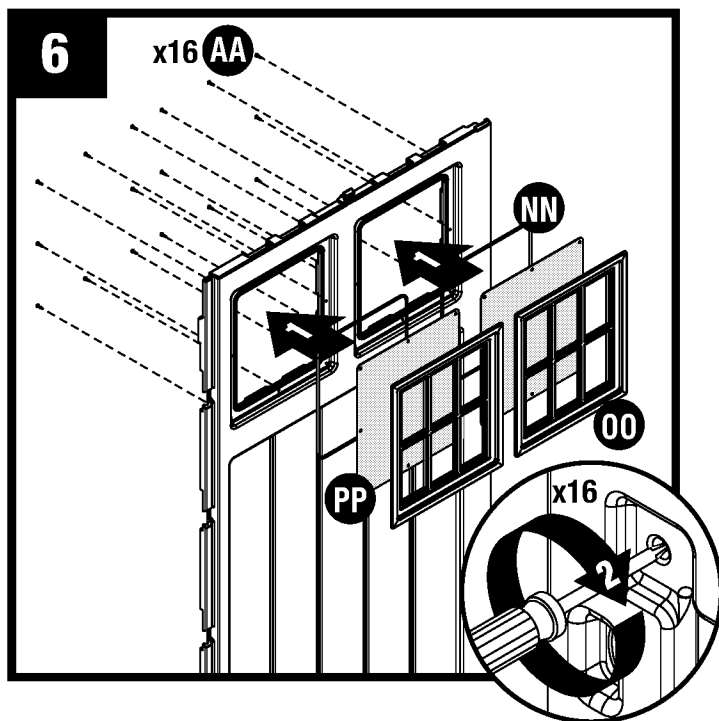
At bottom interior side of left door (J), attach D-ring slide bolt (HH) with four screws (AA) through provided holes.

Side Panel Pre-Assembly

Parts/hardware needed for door pre-assembly are shown on pages 5 and 9.



Peel film from both sides of left side window (PP).



Stand one side panel (N) vertically. In this order, layer into each window channel the side panel window gasket (NN), side panel window (PP), and side panel window frame (OO). Through the back of the side panel, secure layers at both window channels with sixteen screws (AA). Start with four corner screws and then finish with remaining screws. **DO NOT** over tighten screws. Repeat on remaining side panels (N) and side middle panels (P).

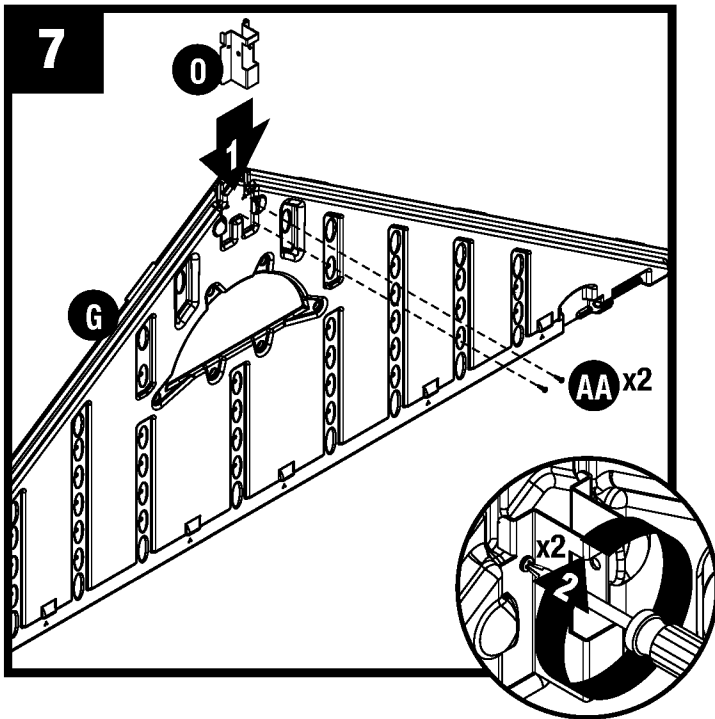
Note: The cut portion of window gasket (NN) **MUST** be assembled on bottom of door channel.



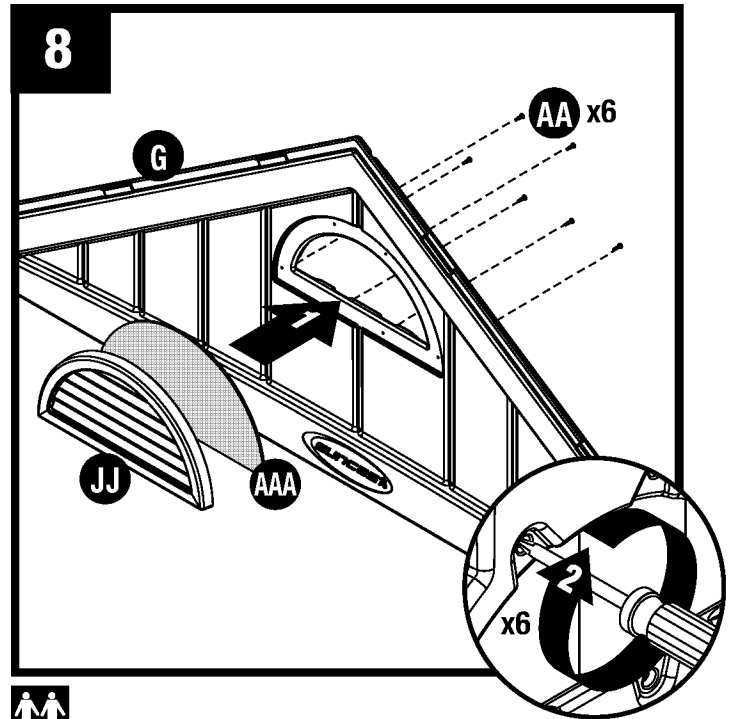
Note: At least two people are needed during assembly.

Front Header Pre-Assembly

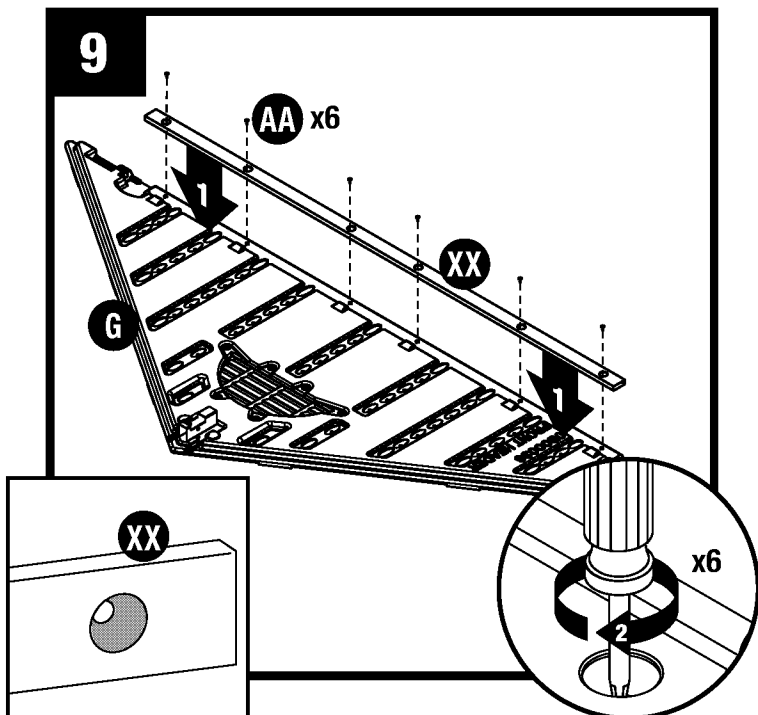
Parts/hardware needed for header pre-assembly are shown on pages 7 and 9.



Slide roof ridge beam bracket (O) under tabs on inside peak of front header (G) and secure with two screws (AA). **DO NOT** over tighten screws.



Place vent screen (AAA), followed by header vent (JJ) into front opening in front header (G). Secure through back of header with six screws (AA). **DO NOT** over tighten screws.

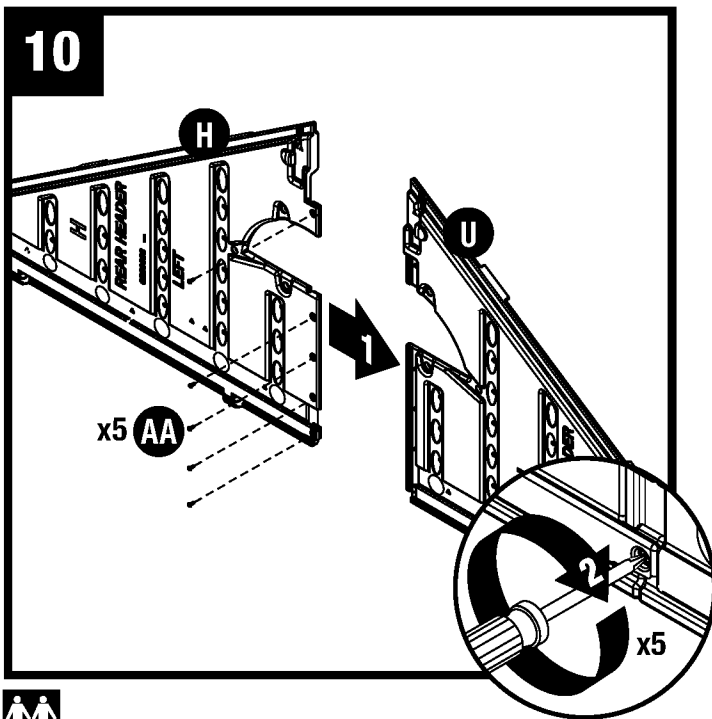


Lay front header (G) on ground with lettering side facing up. Place one header beam (XX) into pocket on inside of front header (G). Attach with six screws (AA). **DO NOT** over tighten screws.

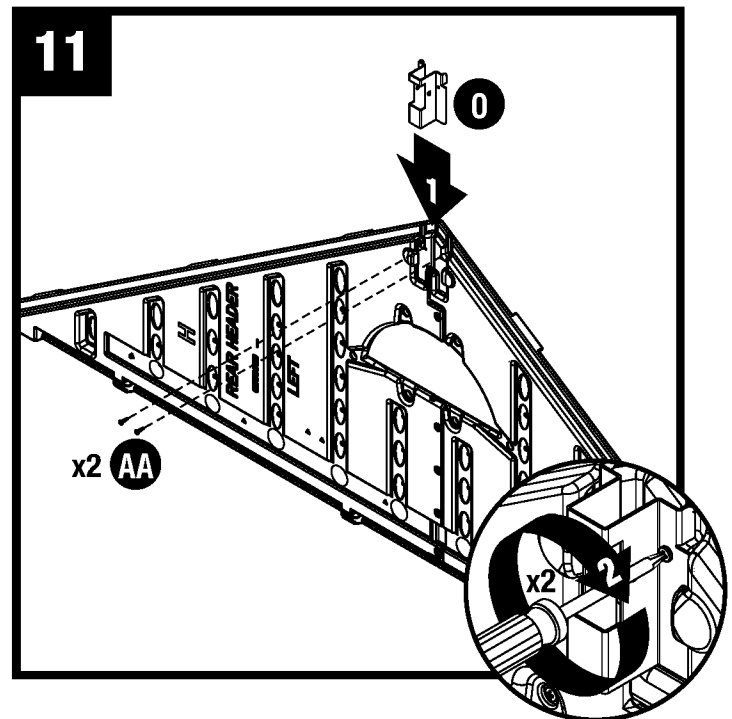
Note: Header beam (XX) has large holes on one side and small holes on other side. The small holes must face header.

Rear Header Pre-Assembly

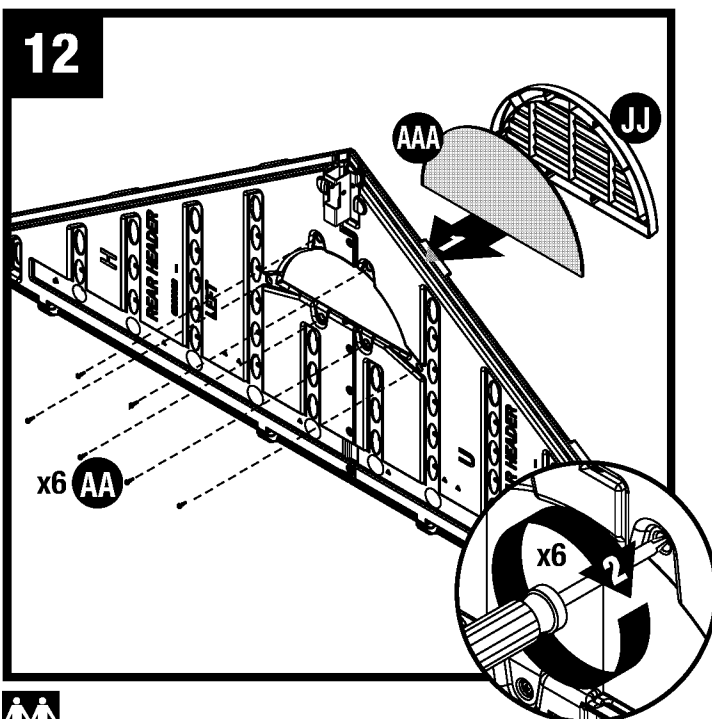
Parts/hardware needed for header pre-assembly are shown on pages 7 and 9.



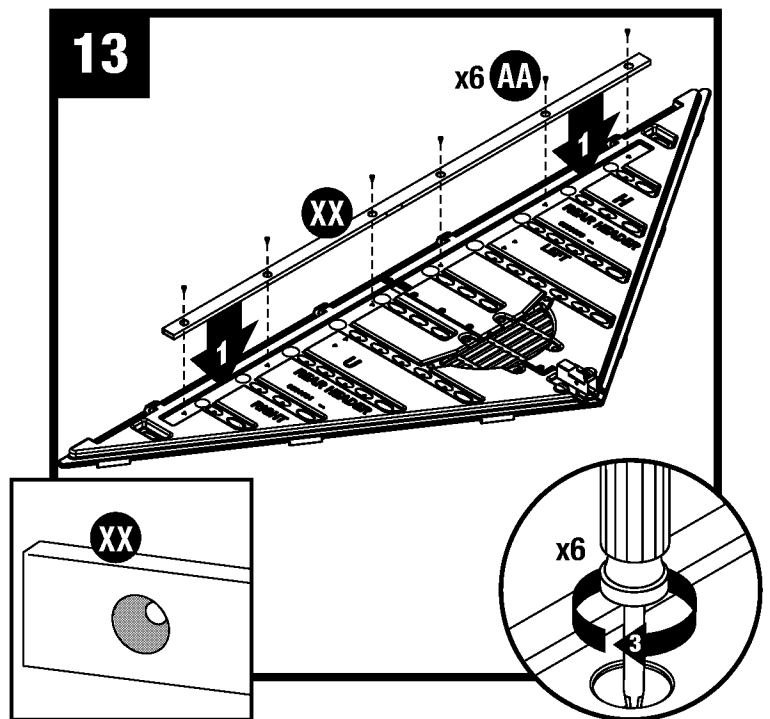
Join left rear header (H) to right rear header (U). Hold halves together and secure with five screws (AA). **DO NOT** over tighten screws.



Slide roof ridge beam bracket (O) under tabs on inside peak of rear header and secure with two screws (AA). **DO NOT** over tighten screws.



Place vent screen (AAA), followed by header vent (JJ) into front opening in rear header. Secure through back of header with six screws (AA). **DO NOT** over tighten screws.

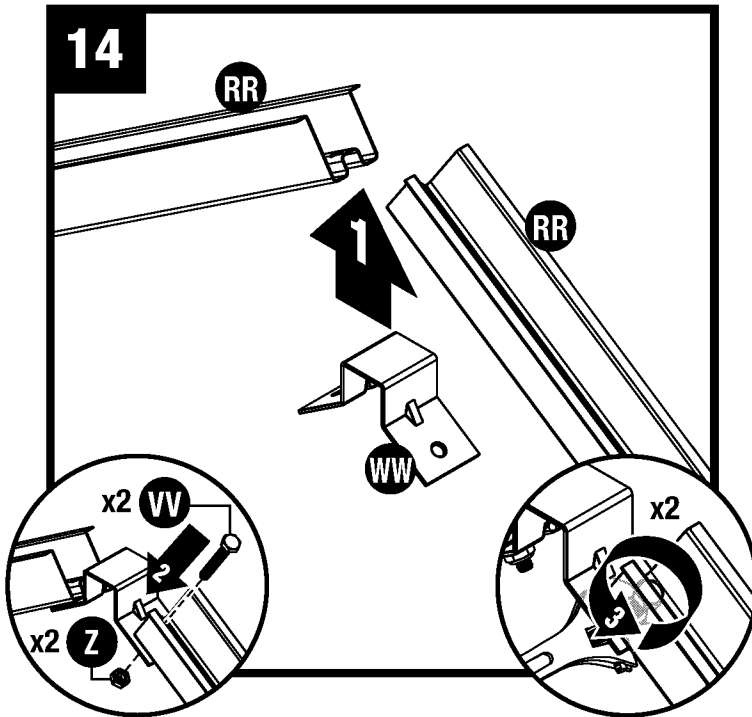


Lay rear header on ground with lettering side facing up. Place one header beam (XX) into pocket on inside of rear header. Attach with six screws (AA). **DO NOT** over tighten screws.

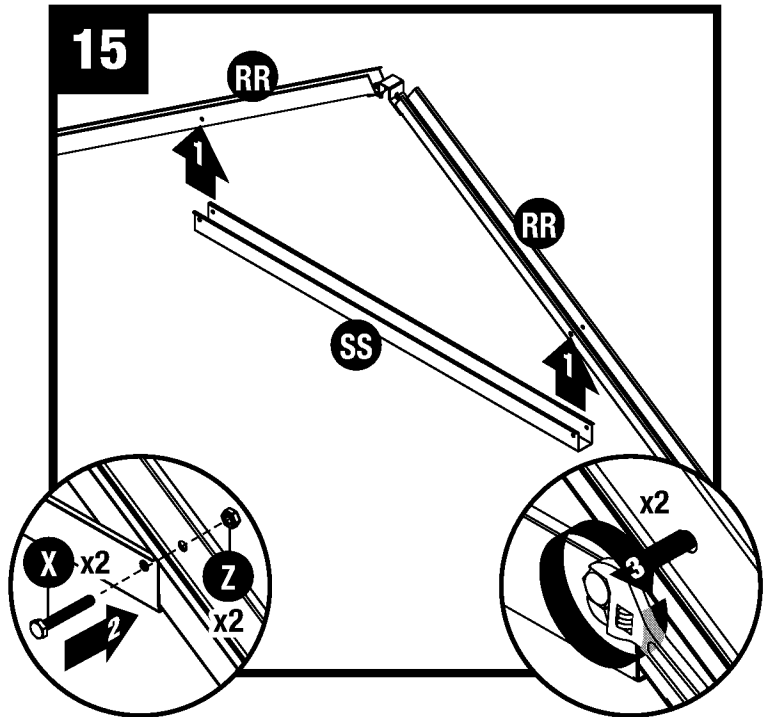
Note: Header beam (XX) has large holes on one side and small holes on other side. The small holes must face header.

Truss Pre-Assembly

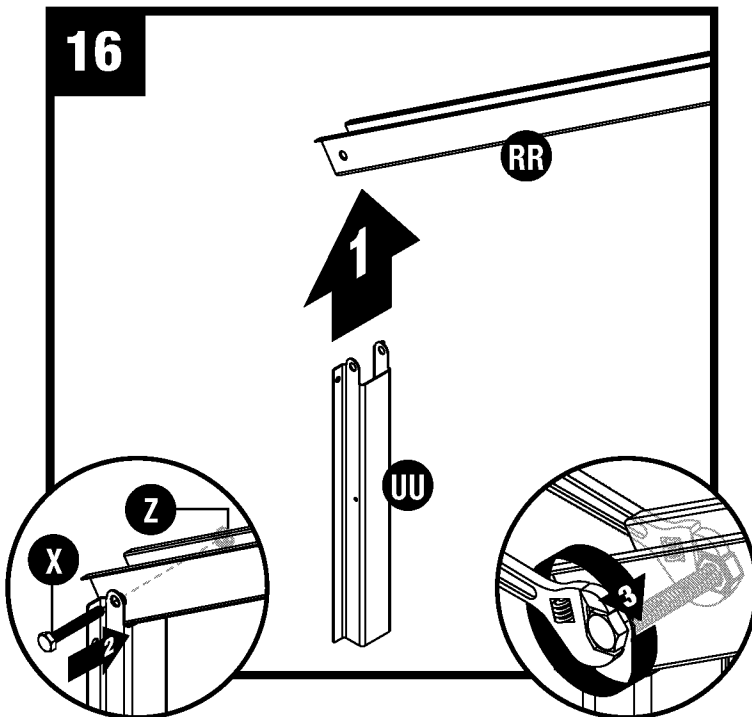
Parts/hardware needed for truss pre-assembly are shown on pages 7-9.



Attach truss bracket (WW) to end of one truss leg (RR) with 1" hex bolt (VV) and nut (Z).
Repeat for second truss leg (RR).



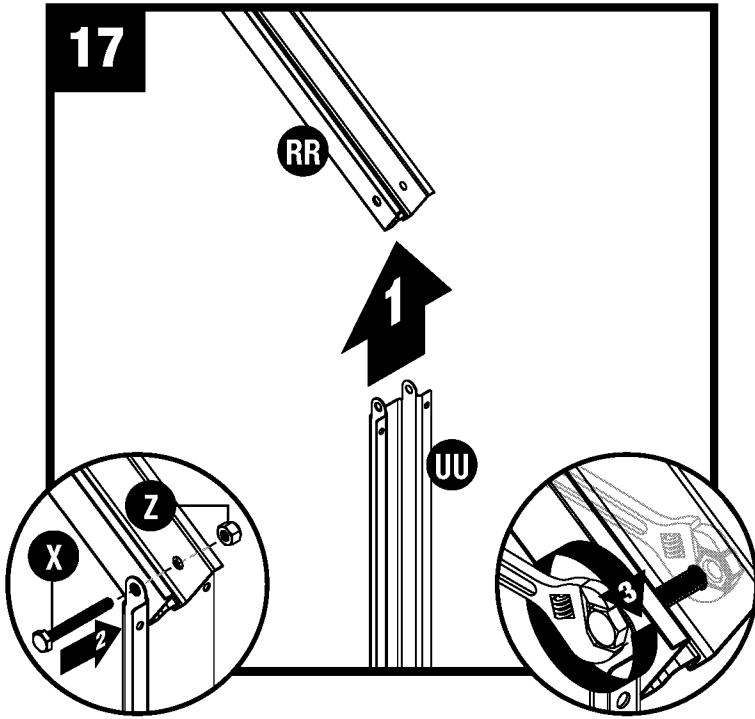
Attach truss cross beam (SS) to two truss legs (RR) using two hex bolts (X) and two nuts (Z). Stand truss and check cross beam is level.



Place truss tie down (UU) at end of left truss leg (RR). Secure truss tie down with one 2" hex bolt (X) and one nut (Z).

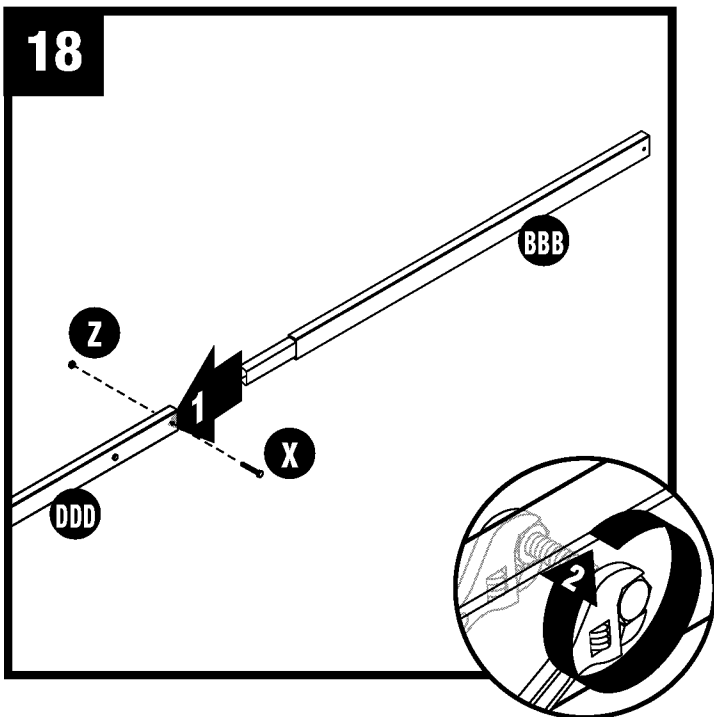
Note: DO NOT over tighten truss tie down (UU) onto end of truss leg (RR). Roof panels will assemble to truss legs (RR) in later step. After shed assembly is completed, check that all hardware is securely fastened.

Truss Pre-Assembly (continued)



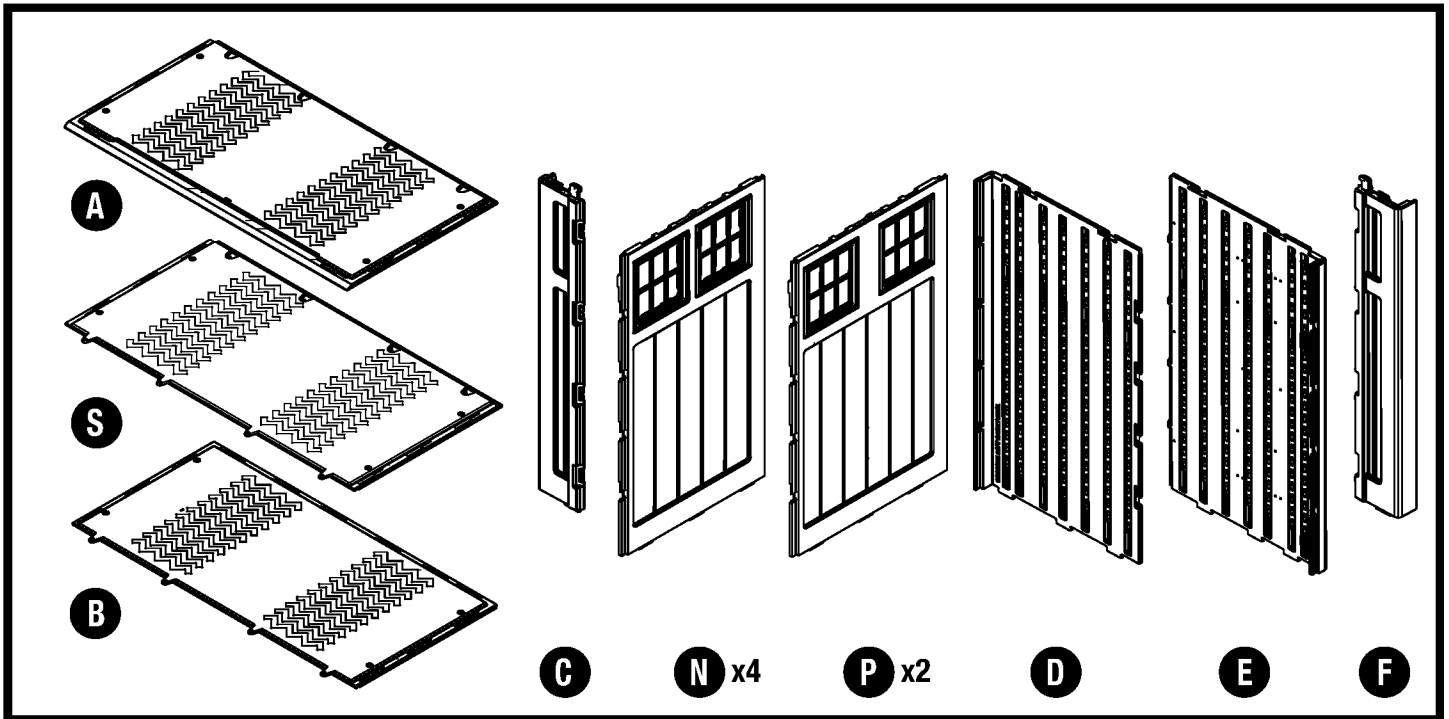
Place truss tie down (UU) at end of right truss leg (RR). Secure truss tie down with one 2" hex bolt (X) and one nut (Z).

Note: DO NOT over tighten truss tie down (UU) onto end of truss leg (RR). Roof panels will assemble to truss legs (RR) in later step. After shed assembly is completed, check that all hardware is securely fastened.



Insert the roof ridge beam extension (BBB) into the ridge beam (DDD). Secure with one 2" hex bolt (X) and one nut (Z).

Shed Assembly/Walls

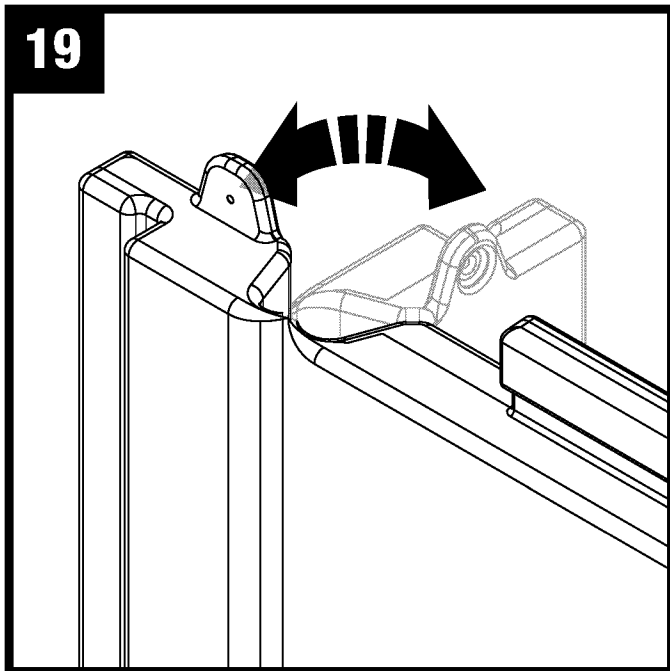


Note: At least two people are needed during assembly.



Note: Need to use a rubber mallet.

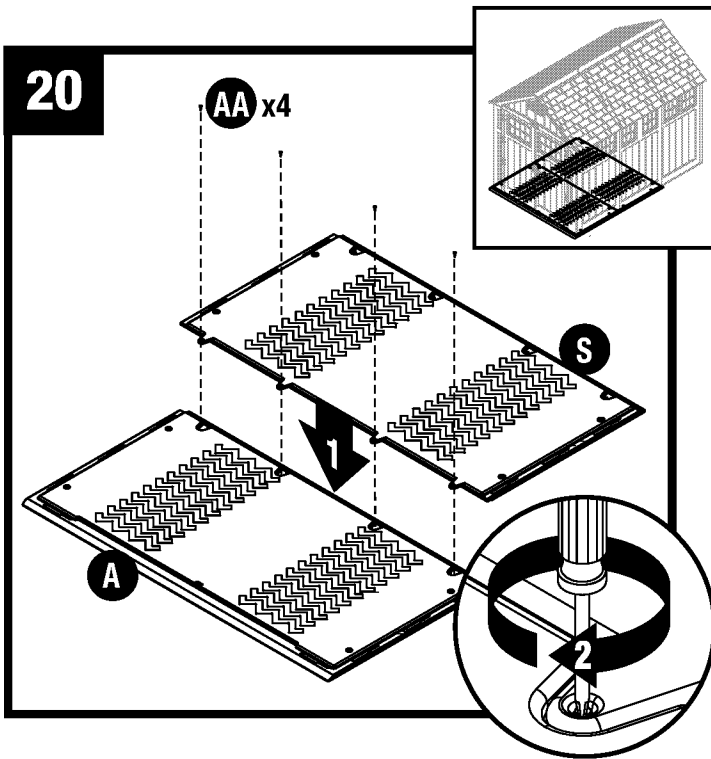
19



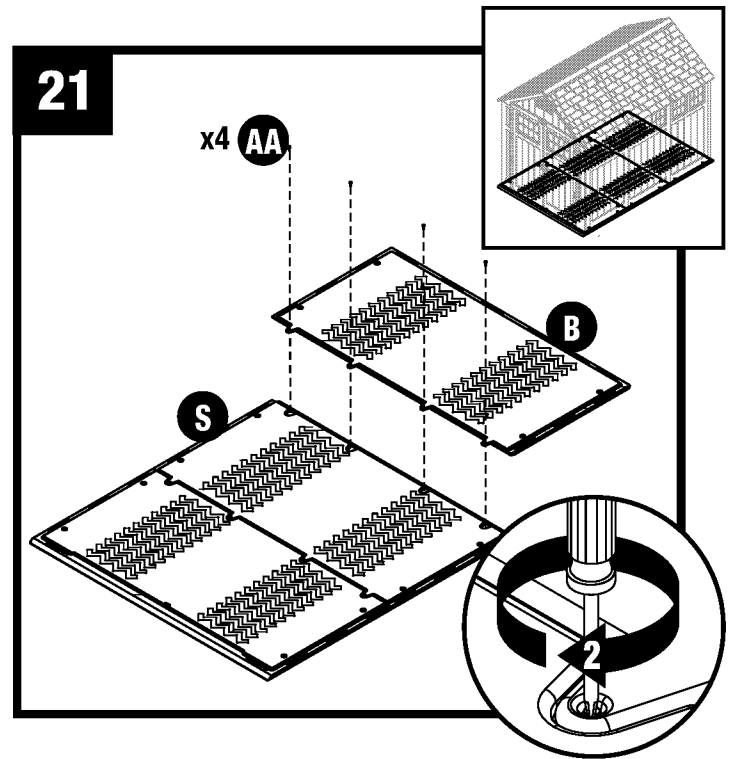
Critical: When installing corners, flex corner hinges back and forth several times. This will help provide a square corner and ensure proper fit of remaining panels.

Important: DO NOT flex in reverse position, as this can crack the panel.

Shed Assembly/Walls (continued)

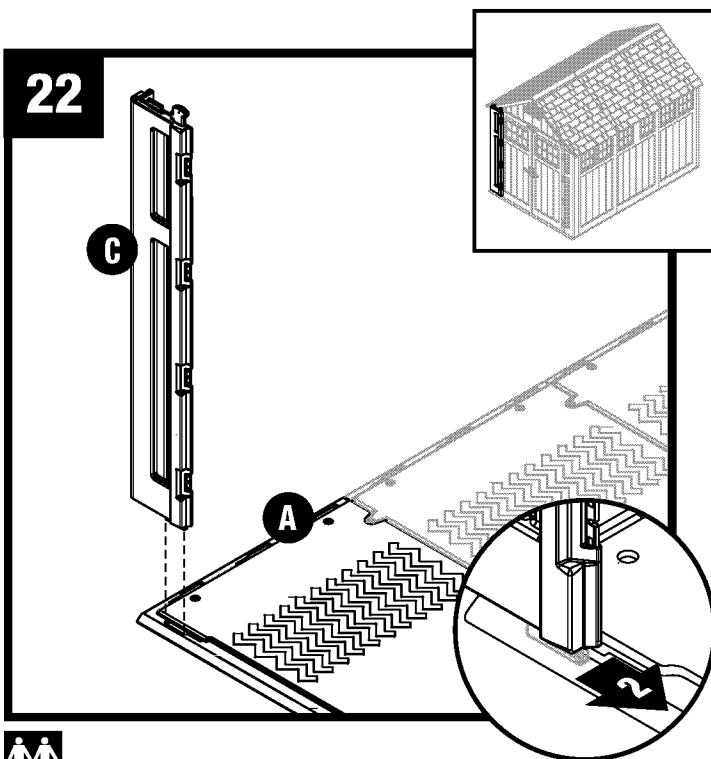


Push floor front (A) and floor middle (S) panels together and secure with four screws (AA).



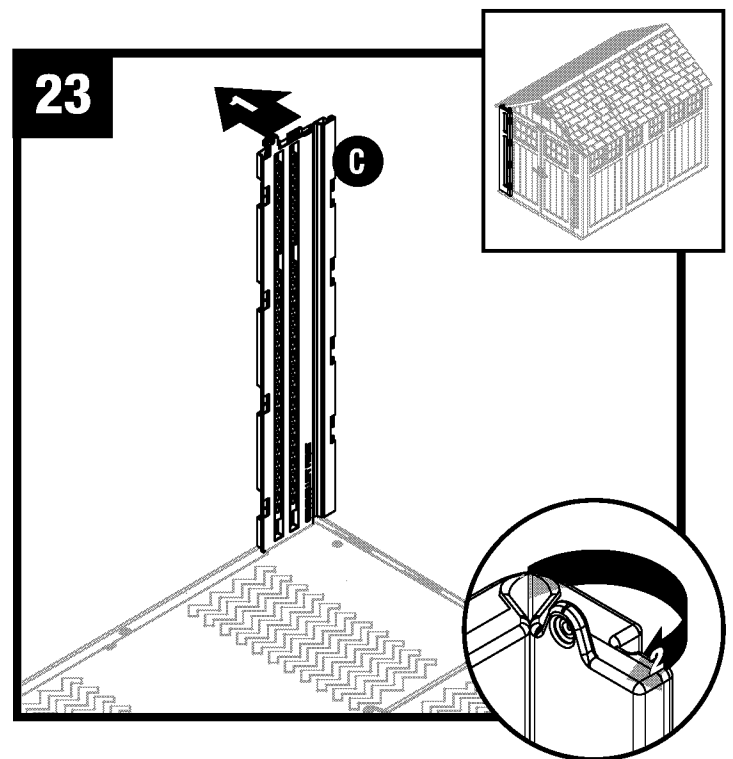
Push floor middle (S) and floor rear (B) panels together and secure with four screws (AA).

Note: Refer to pages 11 and 12 to secure floors to foundation.



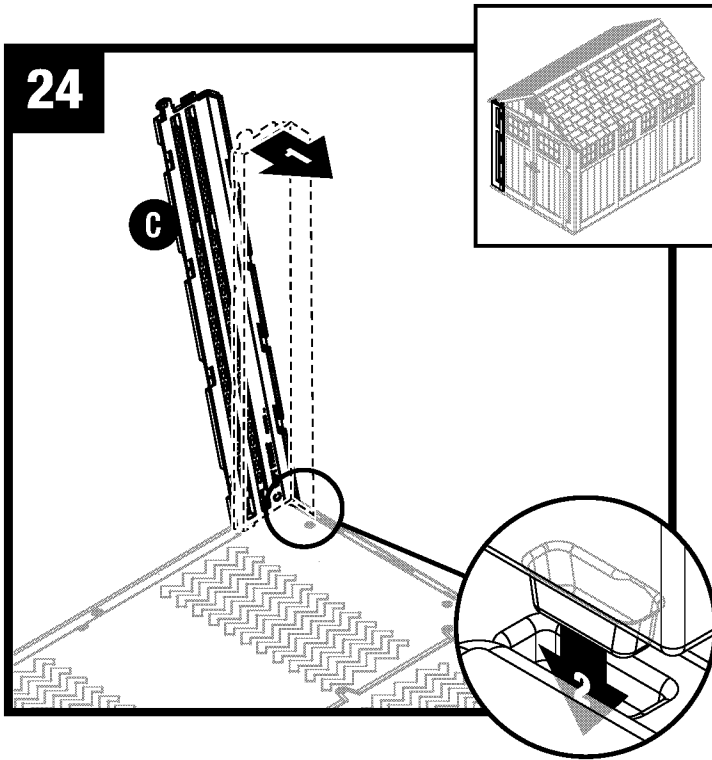
Align tab on bottom of left front panel (C) with slot on floor front (A). Lower panel into slot and lock in place by sliding panel toward door opening.

Note: Use a rubber mallet to "push" left front panel (C) into locked position.

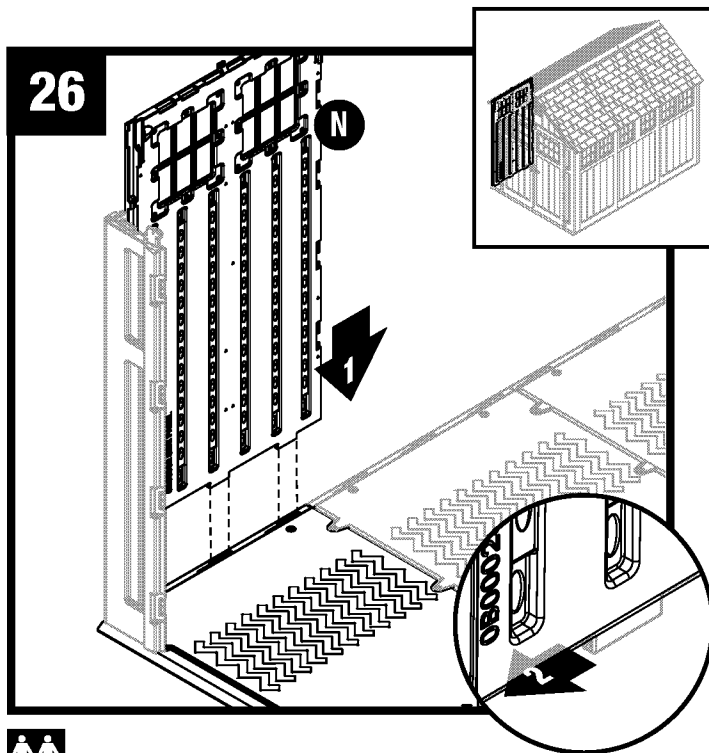
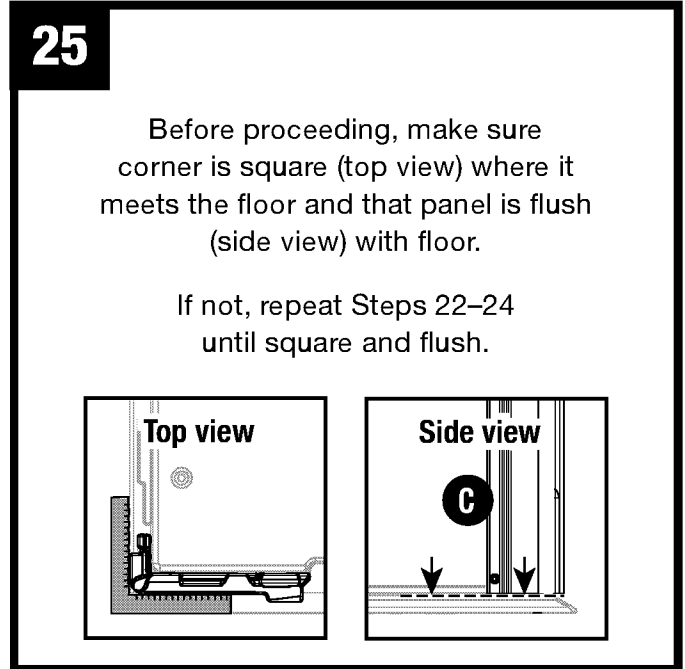


Tip left front panel (C) outward slightly and bend corner hinge.

Shed Assembly/Walls (continued)

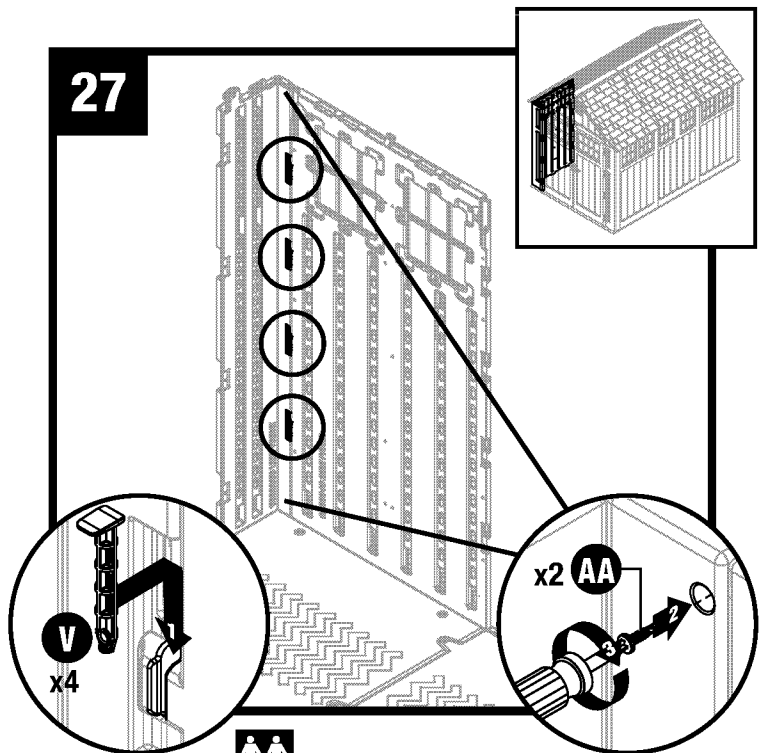


Tip left front panel (C) back to vertical position and align lower tabs on right side with slots in floor.



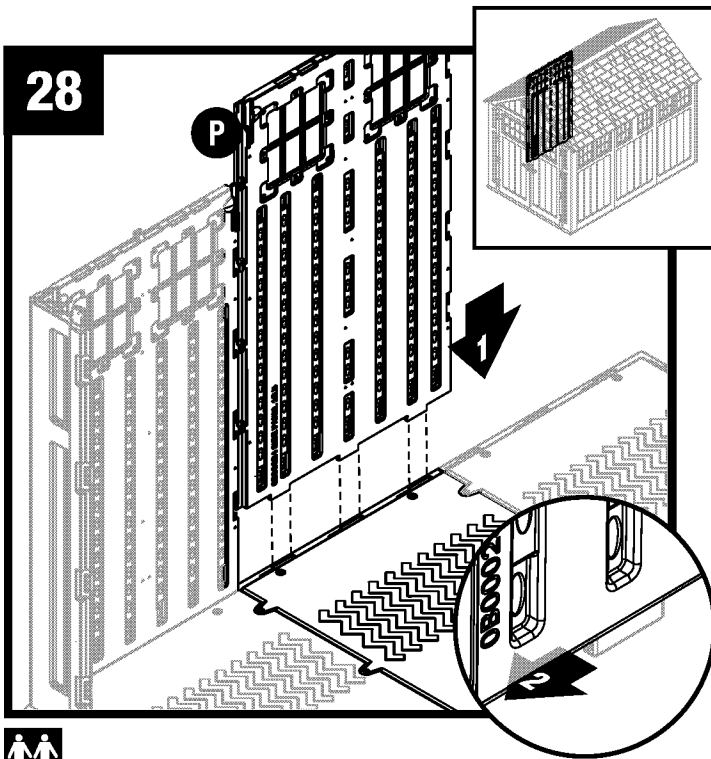
Align tabs on bottom of side panel (N) with slots along floor front. Lower panel into slots and lock in place by sliding panel toward front.

Note: Use a rubber mallet to “push” side panel (N) into locked position.



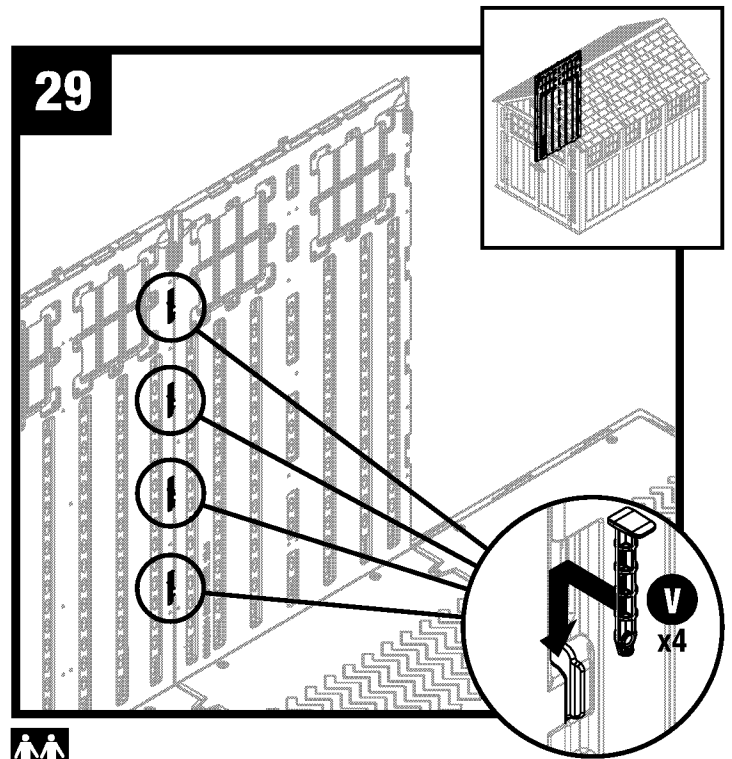
Secure with four panel connector pins (V). From the outside, push the edge of side panel to help align pins. Install one screw (AA) at top and bottom of overlap. **DO NOT** over tighten screws.

Shed Assembly/Walls (continued)

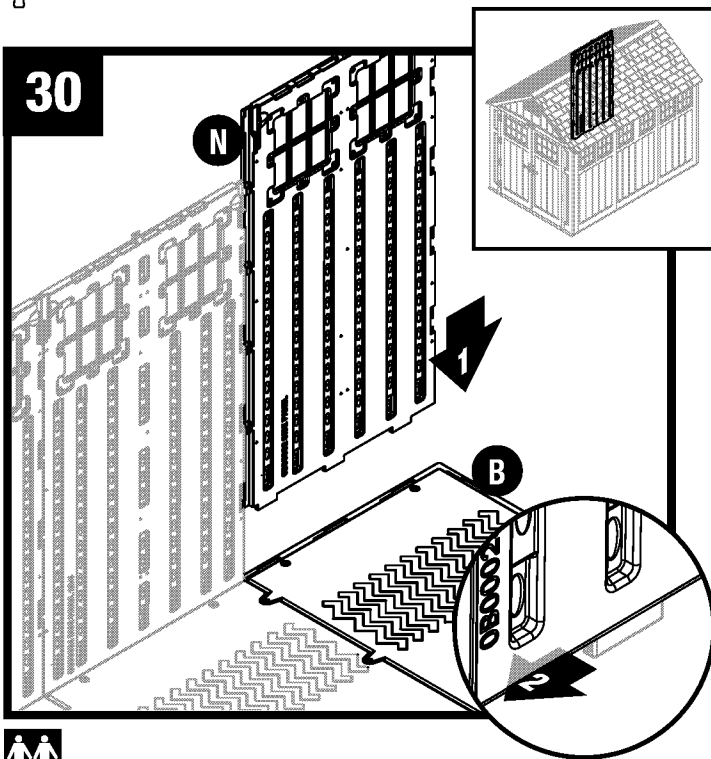


Align tabs on bottom of side middle panel (P) with slots along floor middle (S). Lower panel into slots and lock in place by sliding panel toward front.

Note: Use a rubber mallet to “push” side middle panel (P) into locked position.

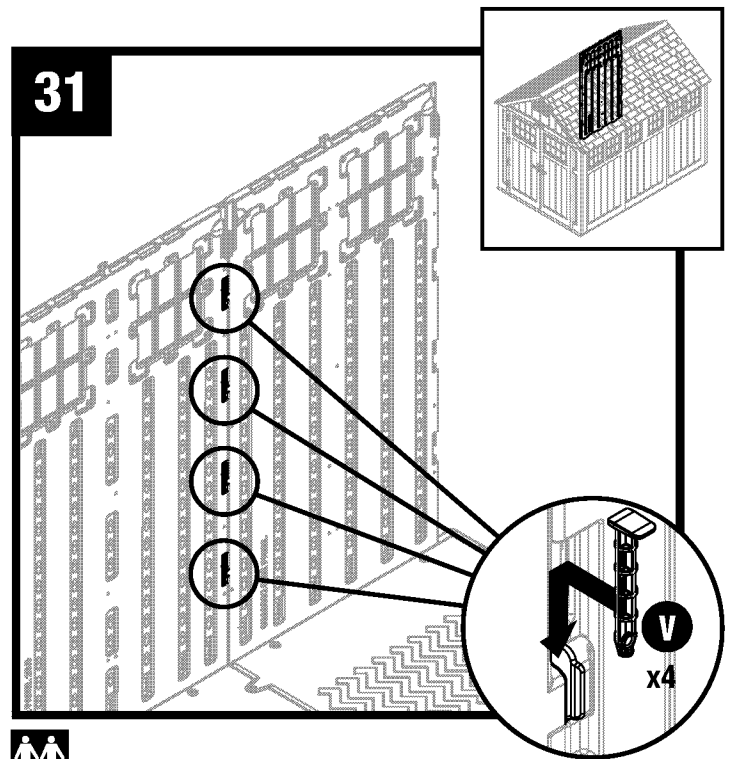


Secure with four panel connector pins (V). From the outside, push the edge of side panel to help align pins.



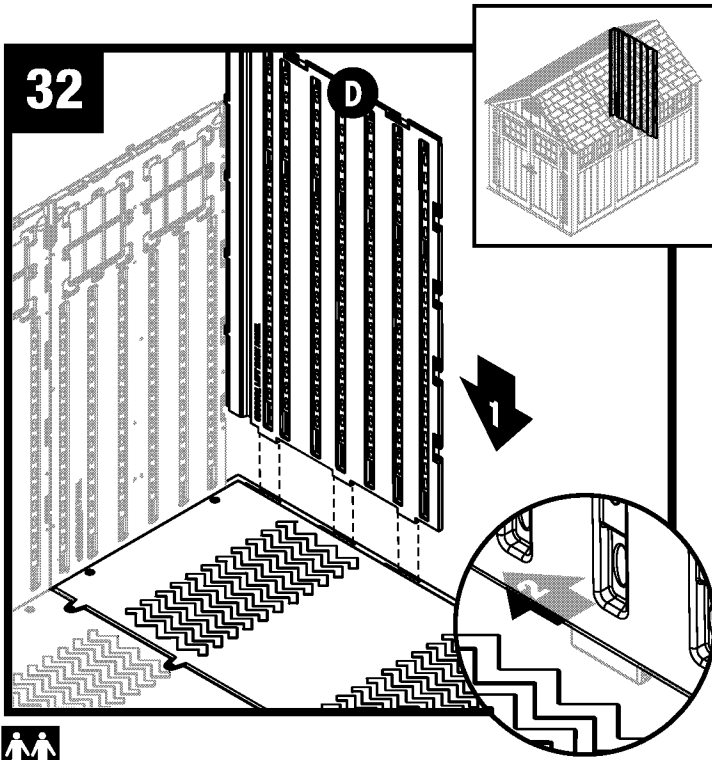
Align tabs on bottom of side panel (N) with slots along floor rear (B). Lower panel into slots and lock in place by sliding panel toward front.

Note: Use a rubber mallet to “push” side panel (N) into locked position.



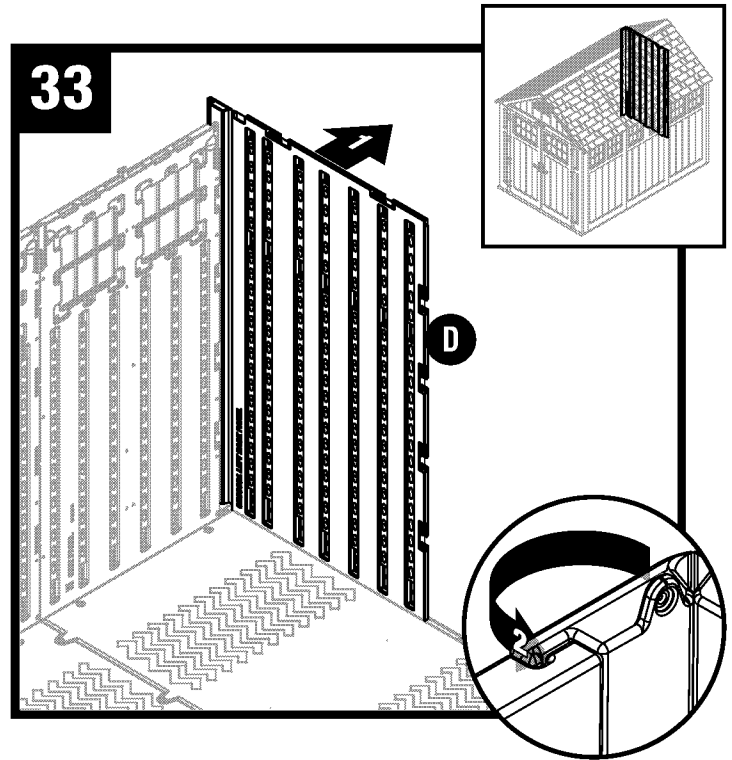
Secure with four panel connector pins (V). From the outside, push the edge of side panel to help align pins.

Shed Assembly/Walls (continued)

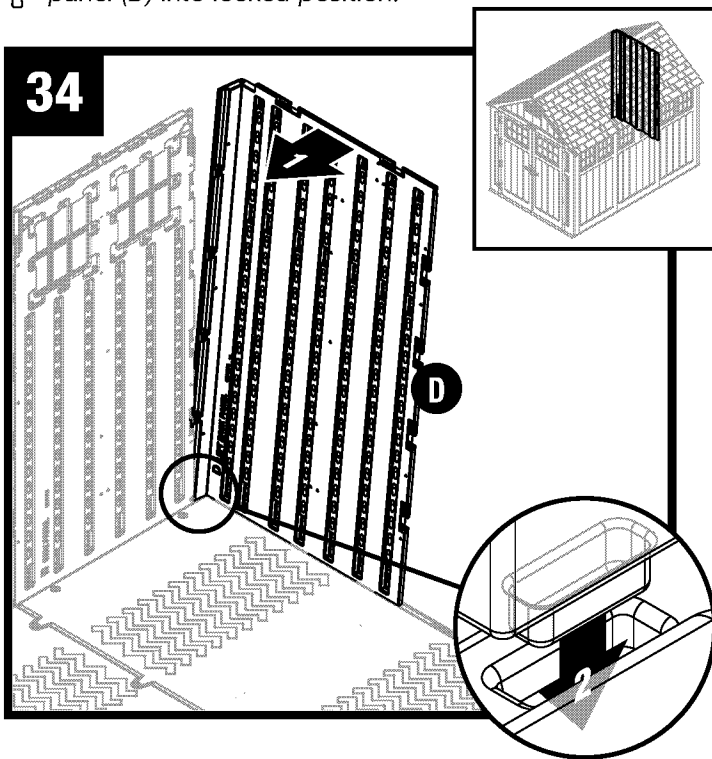


Align tab on bottom of left back panel (D) with slot on floor rear. Lower panel into slot and lock in place by sliding panel toward corner.

Note: Use a rubber mallet to “push” left back panel (D) into locked position.



Tip left back panel (D) outward slightly and bend corner hinge.



Tip left back panel (D) back to vertical position and align lower tabs on right side with slots in floor.

35

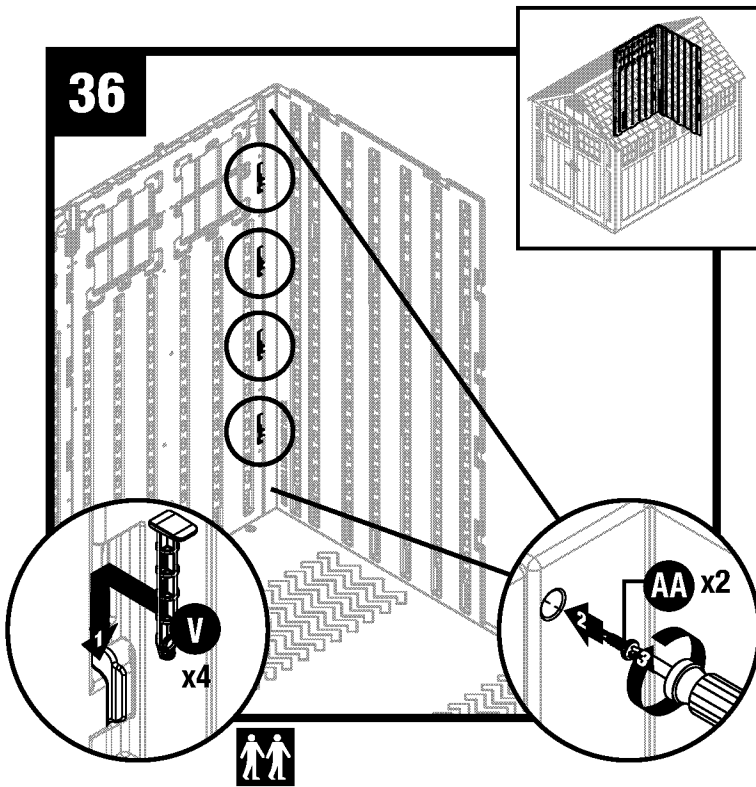
Before proceeding, make sure corner is square (top view) where it meets the floor and that panel is flush (side view) with floor.

If not, repeat Steps 32–34 until square and flush.

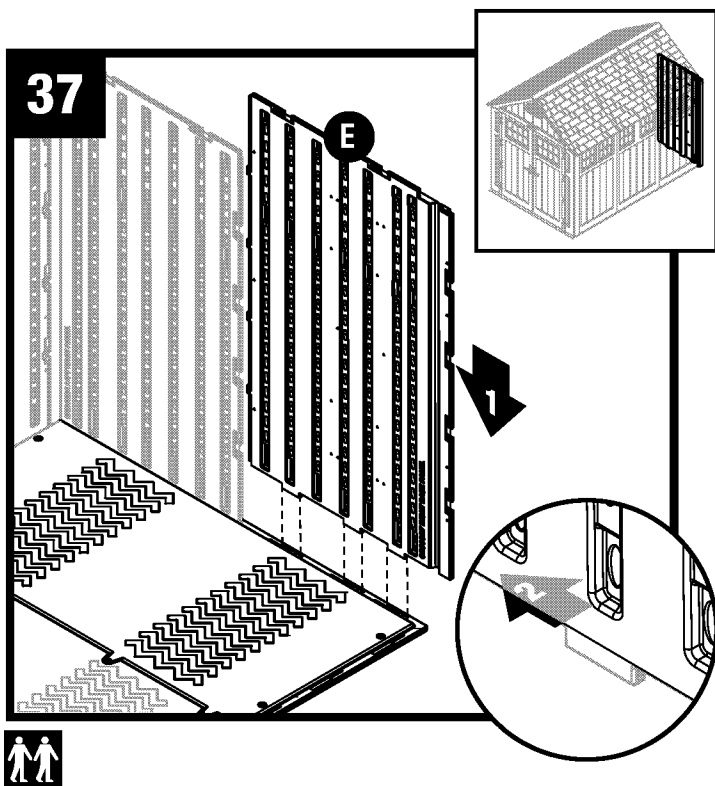
Top view

Side view

Shed Assembly/Walls (continued)

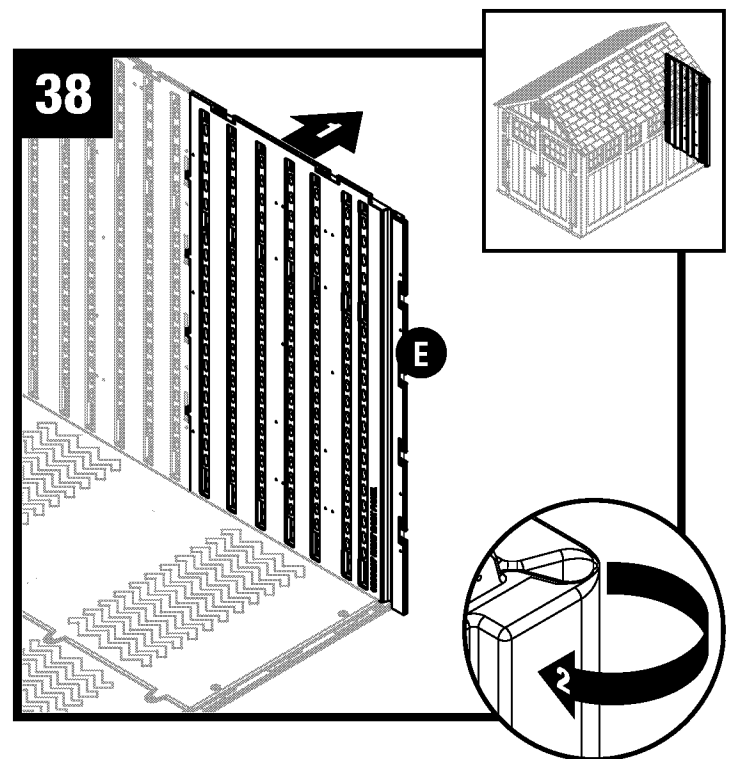


Secure with four panel connector pins (V). From the outside, push the edge of left back panel to help align pins. Install one screw (AA) at top and bottom of overlap. **DO NOT** over tighten screws.



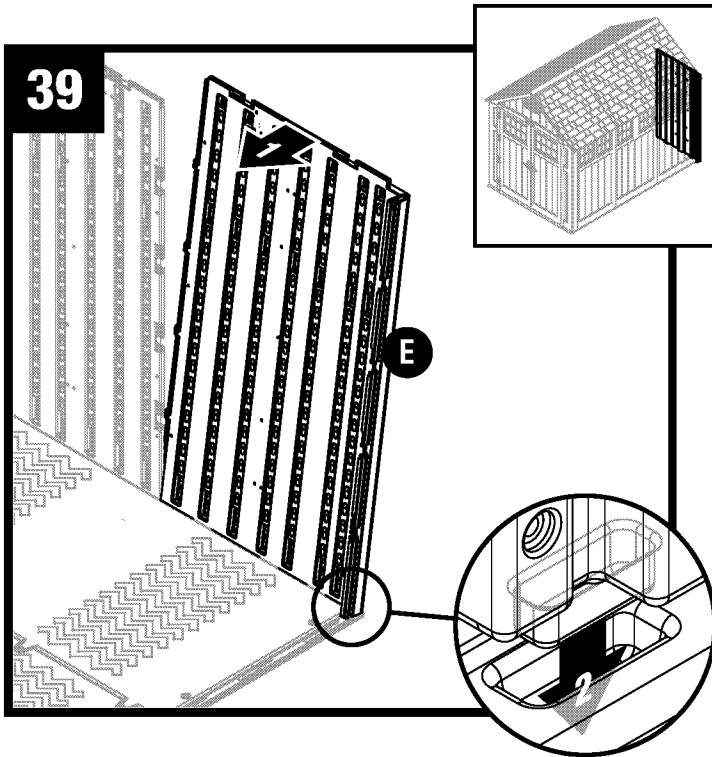
Align tab on bottom of right back panel (E) with slot on floor rear. Lower panel into slot and lock in place by sliding panel toward corner.

Note: Use a rubber mallet to "push" right back panel (E) into locked position.

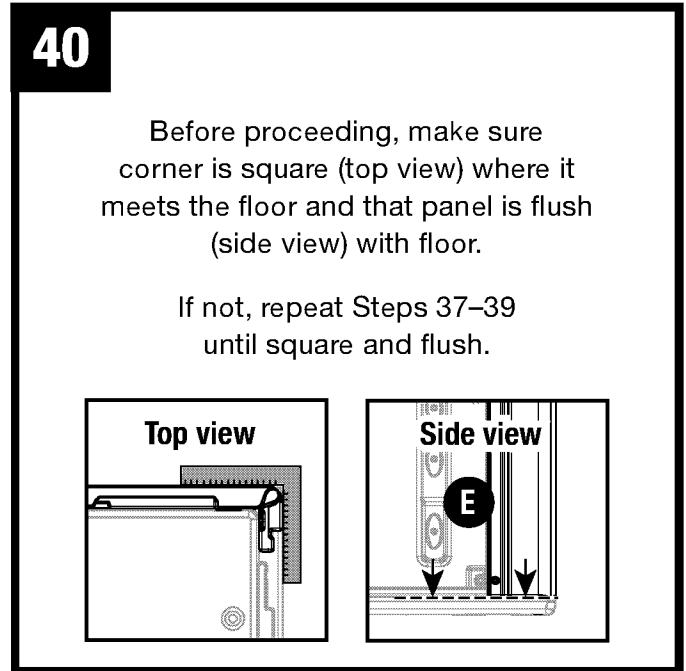


Tip right back panel (E) outward slightly and bend corner hinge.

Shed Assembly/Walls (continued)

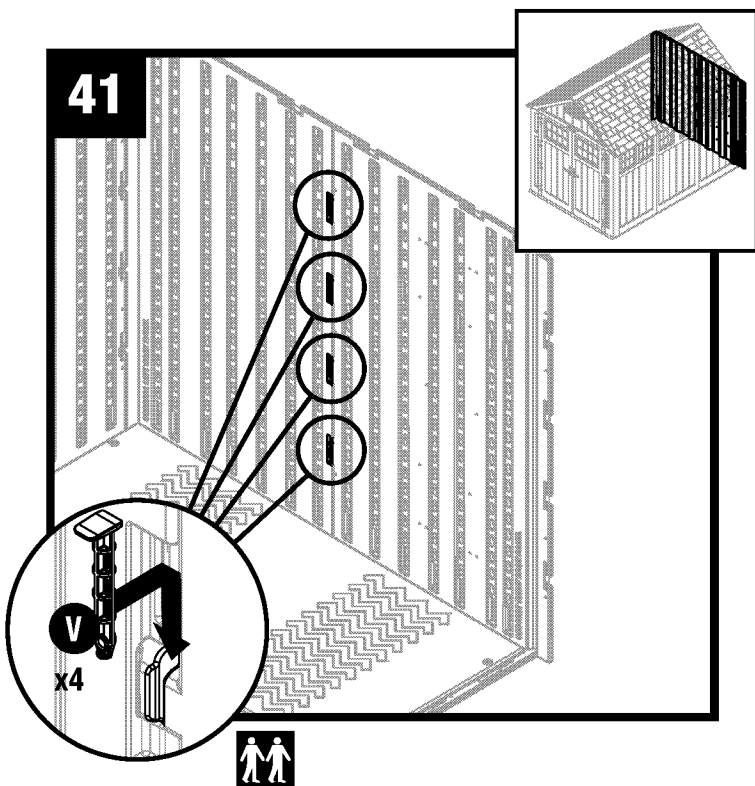
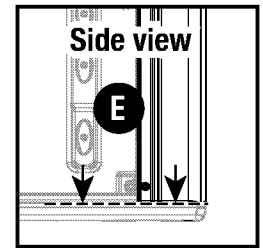
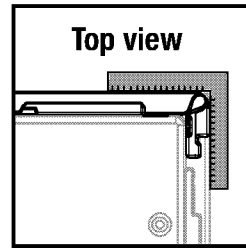


Tip right back panel (E) back to vertical position and align lower tabs on right side with slots in floor.

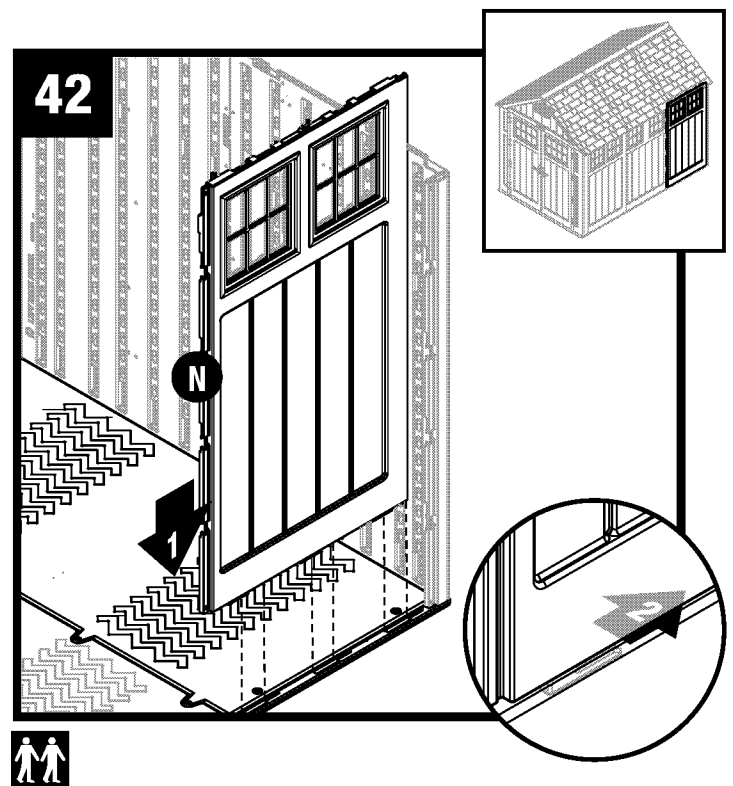


Before proceeding, make sure corner is square (top view) where it meets the floor and that panel is flush (side view) with floor.

If not, repeat Steps 37–39 until square and flush.



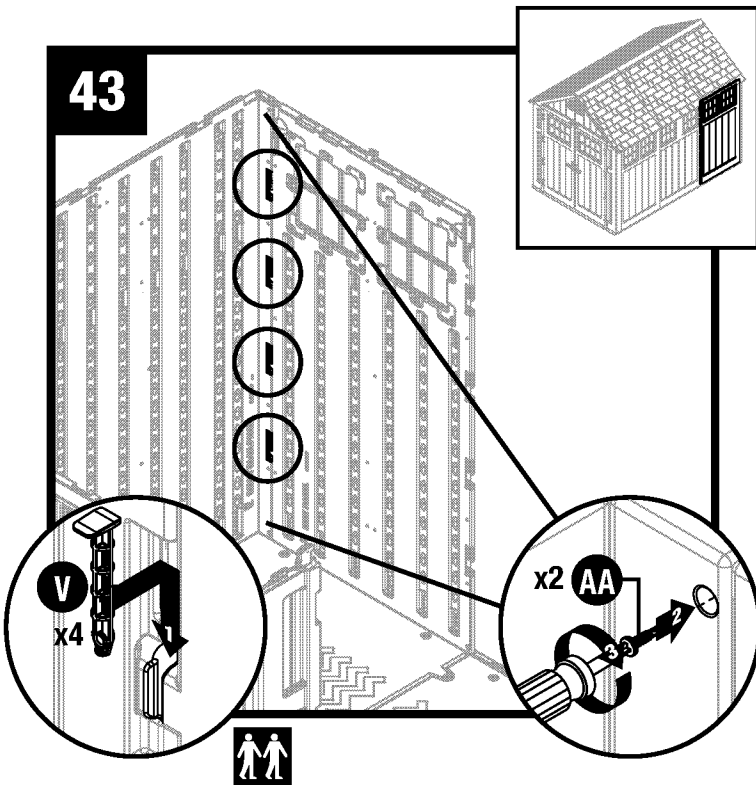
Secure with four panel connector pins (V). From the outside, push the edge of side panel to help align pins.



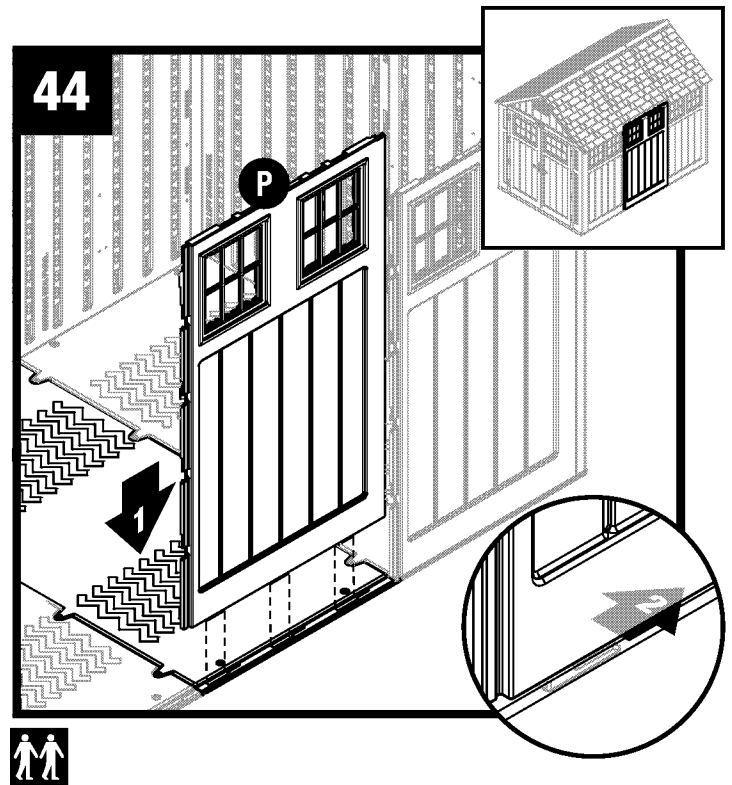
Align tabs on bottom of side panel (N) with slots along floor rear. Lower panel into slots and lock in place by sliding panel toward rear.

Note: Use a rubber mallet to “push” side panel (N) into locked position.

Shed Assembly/Walls (continued)

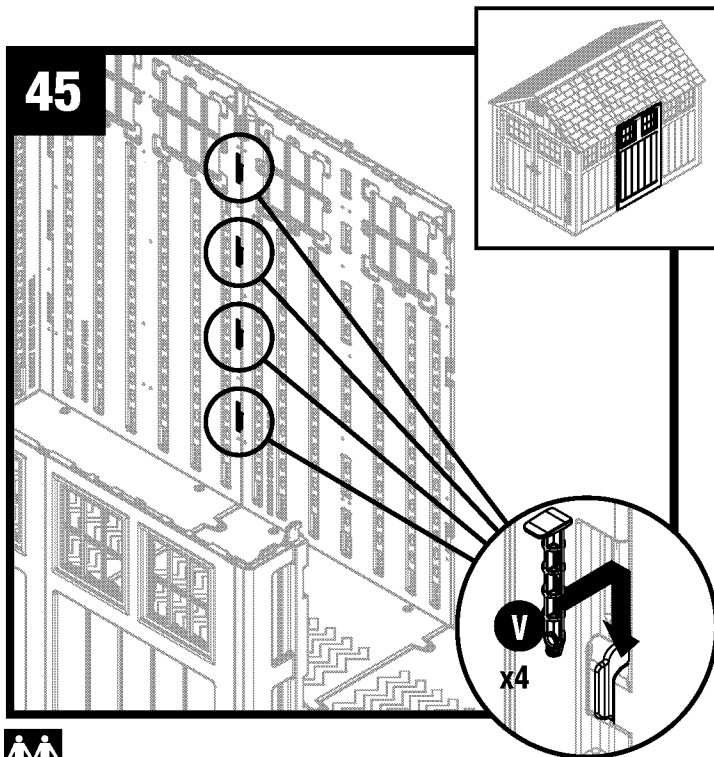


Secure with four panel connector pins (V). From the outside, push the edge of right back panel to help align pins. Install one screw (AA) at top and bottom of overlap. **DO NOT** over tighten screws.

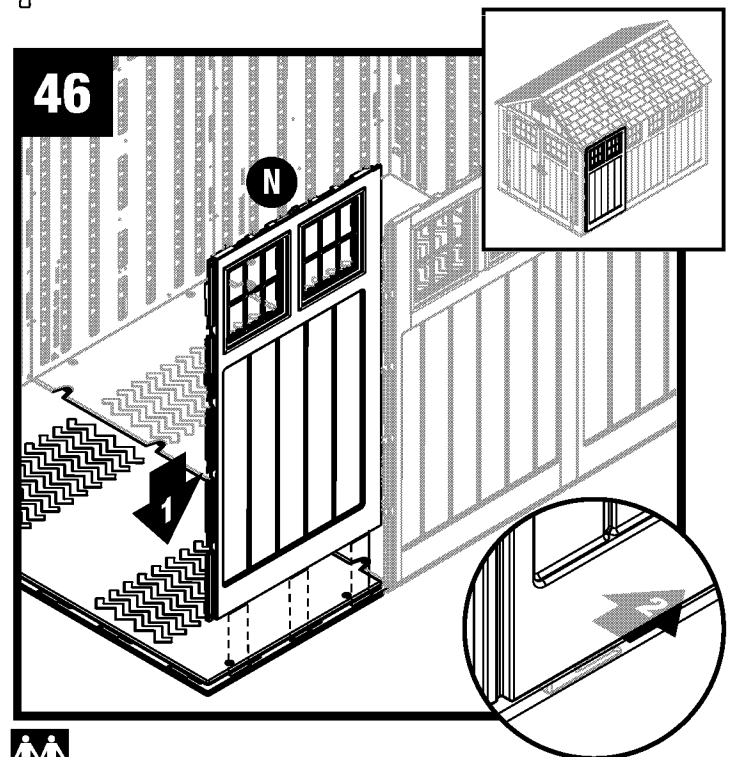


Align tabs on bottom of side middle panel (P) with slots along floor middle. Lower panel into slots and lock in place by sliding panel toward rear.

Note: Use a rubber mallet to “push” side middle panel (P) into locked position.



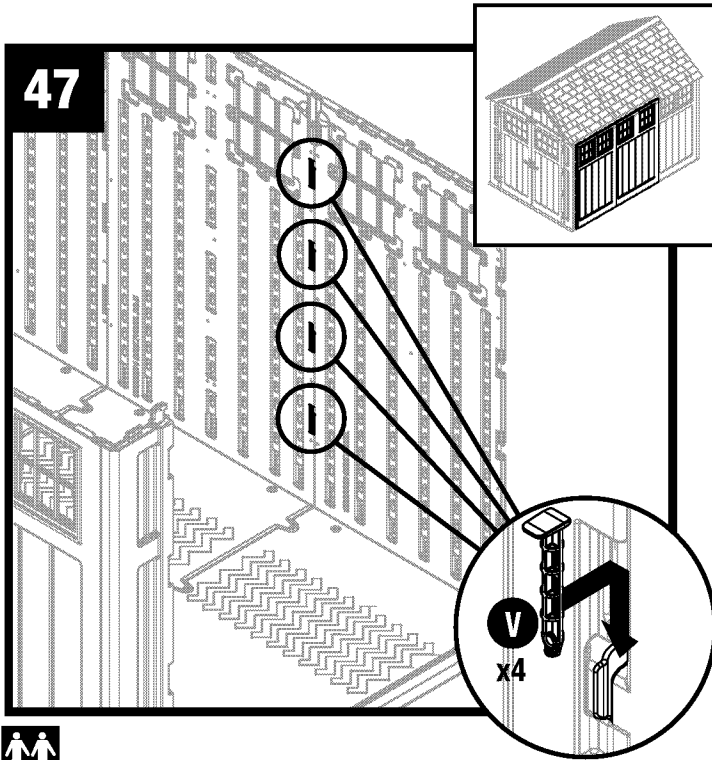
Secure with four panel connector pins (V). From the outside, push the edge of side panel to help align pins.



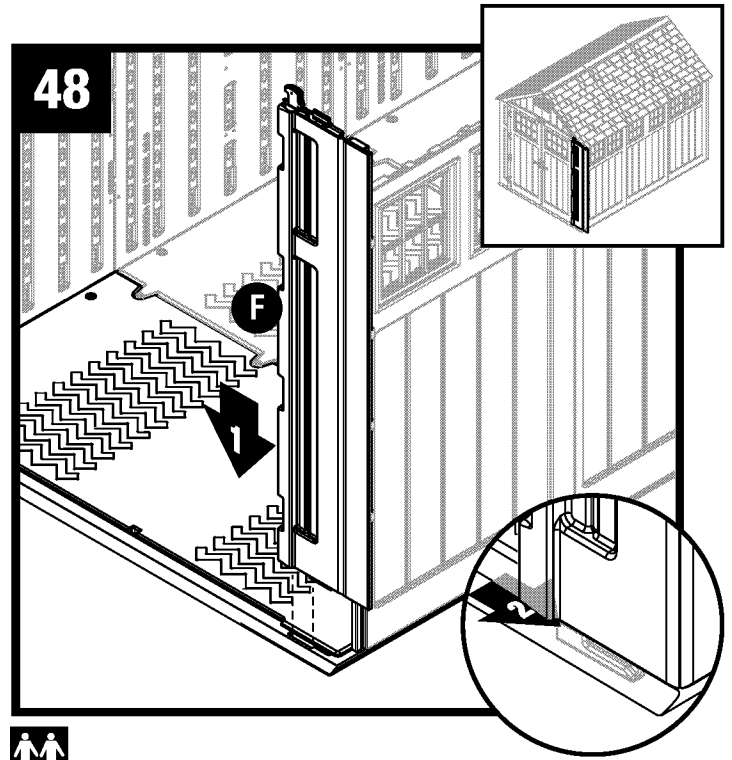
Align tabs on bottom of side panel (N) with slots along floor front. Lower panel into slots and lock in place by sliding panel toward rear.

Note: Use a rubber mallet to “push” side panel (N) into locked position.

Shed Assembly/Walls (continued)

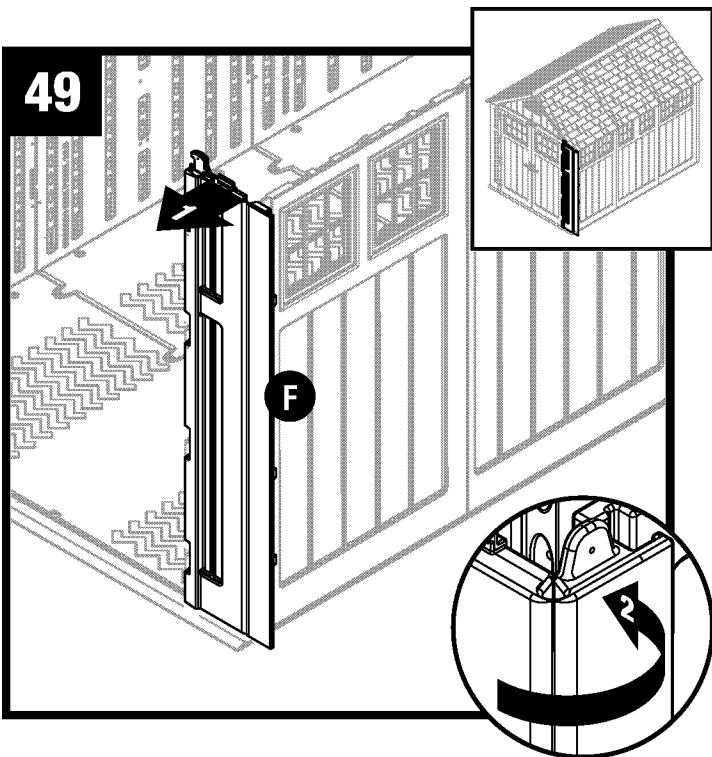


Secure with four panel connector pins (V). From the outside, push the edge of side panel to help align pins.

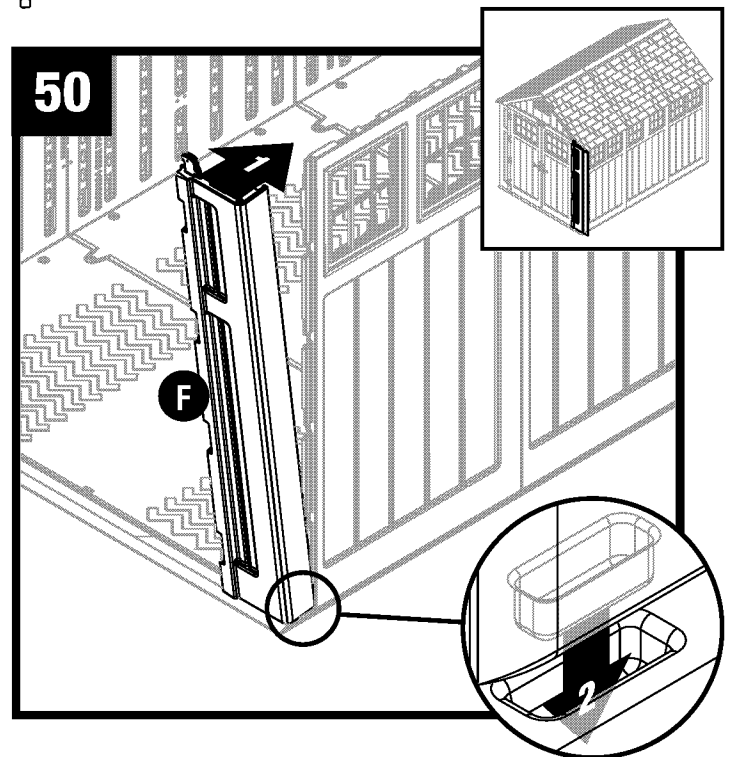


Align tabs on bottom of right front panel (F) with slots along floor front. Lower panel into slots and lock in place by sliding panel toward door opening.

Note: Use a rubber mallet to “push” right front panel (F) into locked position.



Tip right front panel (F) outward slightly and bend corner hinge.



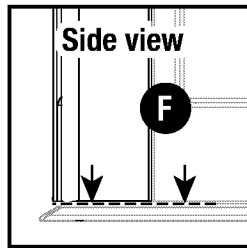
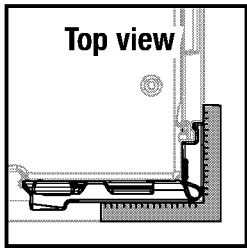
Tip right front panel (F) back to vertical position and align lower tabs on right side with slots in floor.

Shed Assembly/Walls (continued)

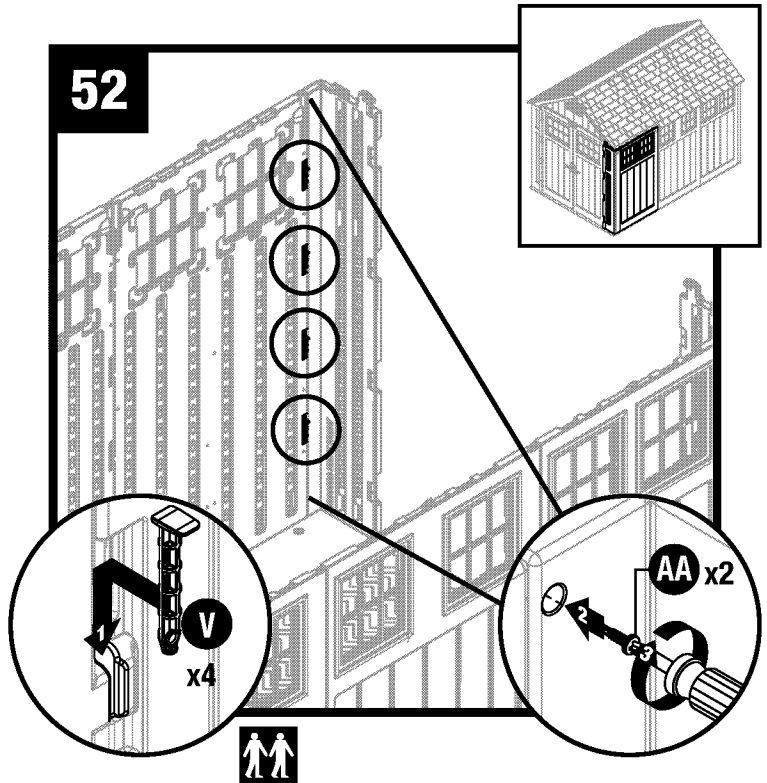
51

Before proceeding, make sure corner is square (top view) where it meets the floor and that panel is flush (side view) with floor.

If not, repeat Steps 48–50 until square and flush.

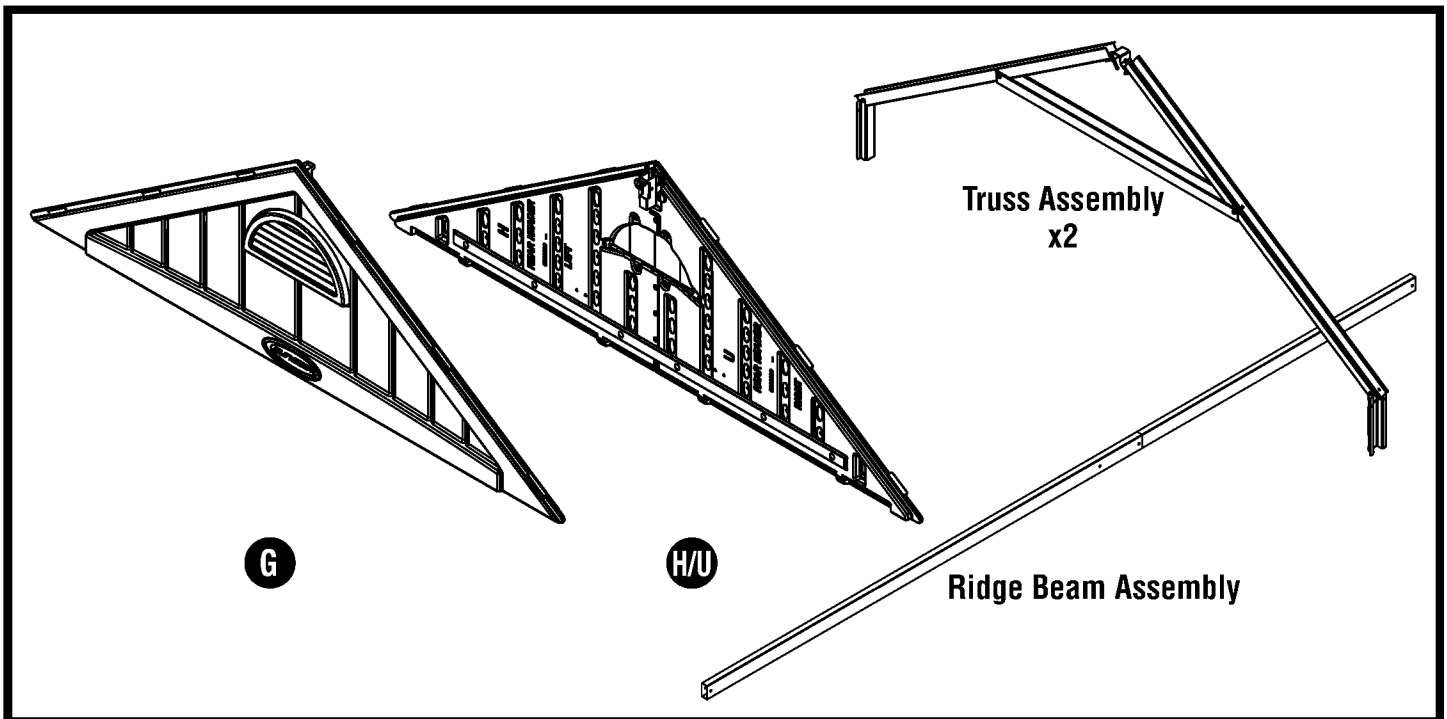



52

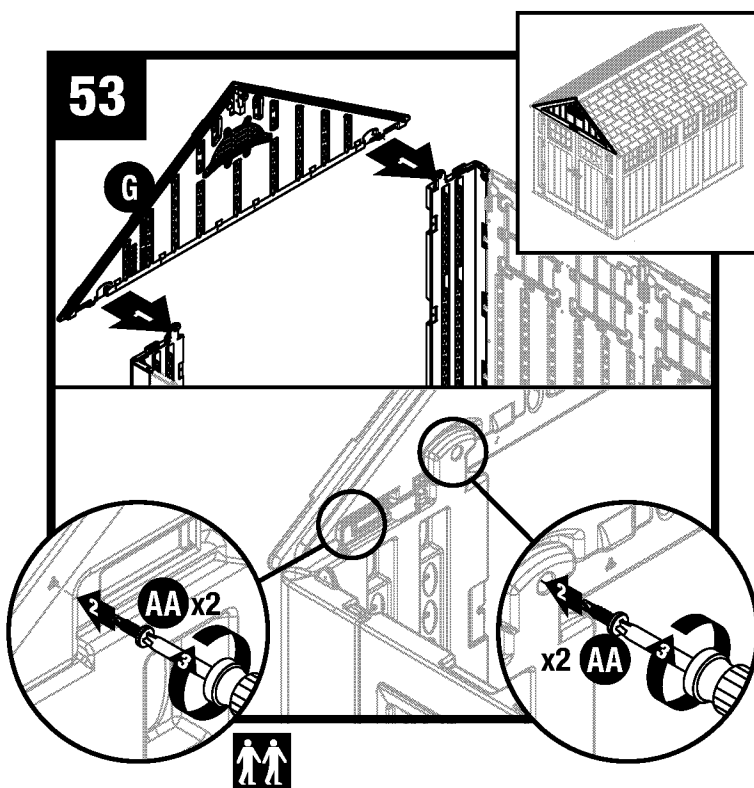


Secure corner with four panel connector pins (V). From the outside, push the edge of side panel to help align pins. Install one screw (AA) at top and bottom of overlap. **DO NOT** over tighten screws.

Shed Assembly/Headers and Truss



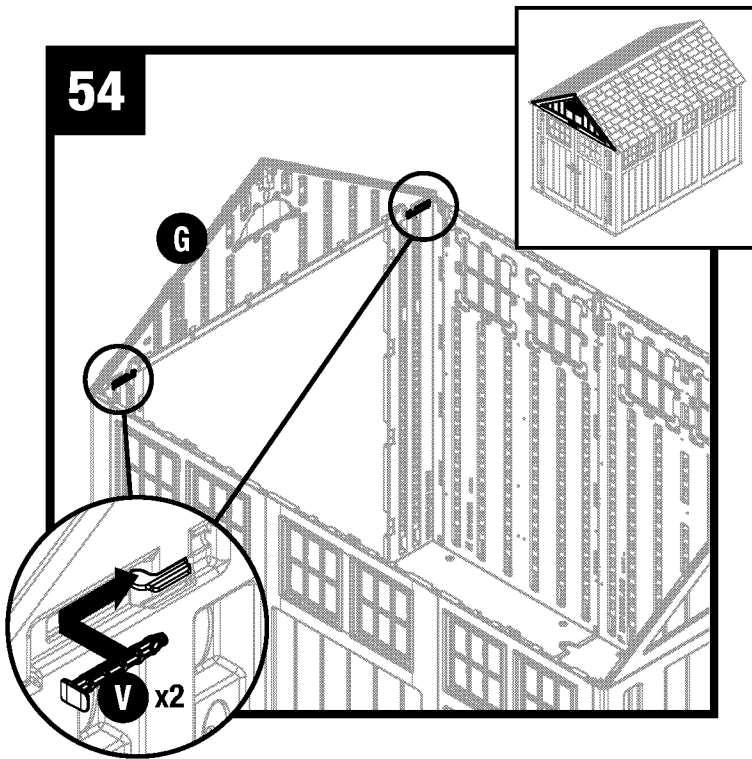
 **Note:** At least two people are needed during assembly.



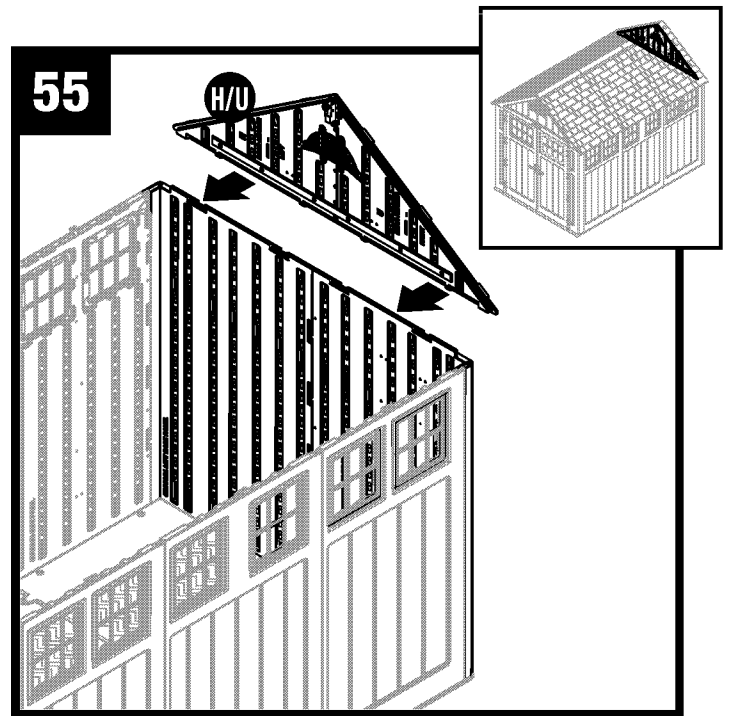
Place front header (G) over door opening and fit two protruding support legs on the left and right front panels into pockets molded in header panel. Secure support legs in the pockets using two screws (AA) in each leg.

Note: *DO NOT* leave header unsupported until beam assembly is complete (step 59).

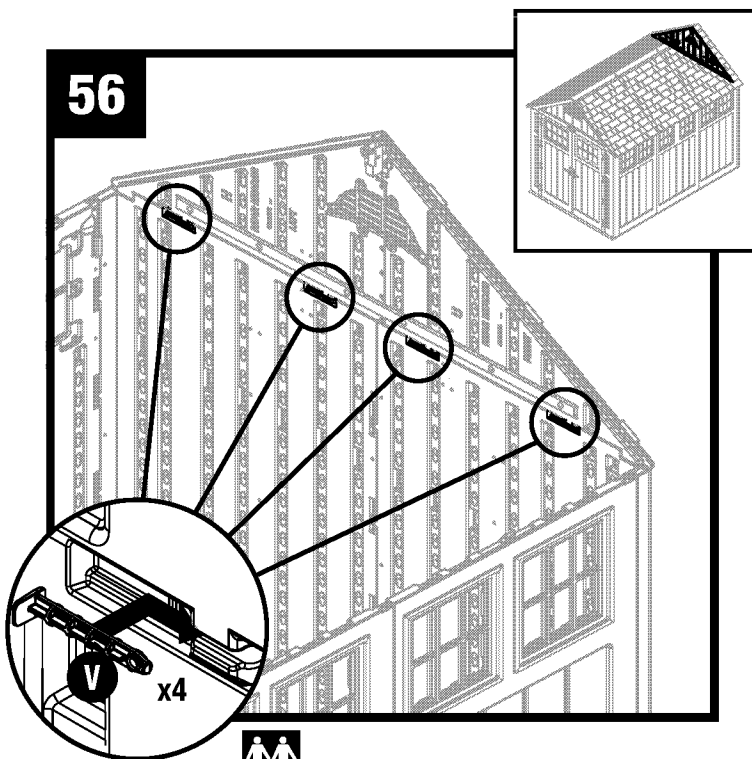
Shed Assembly/Headers and Truss (continued)



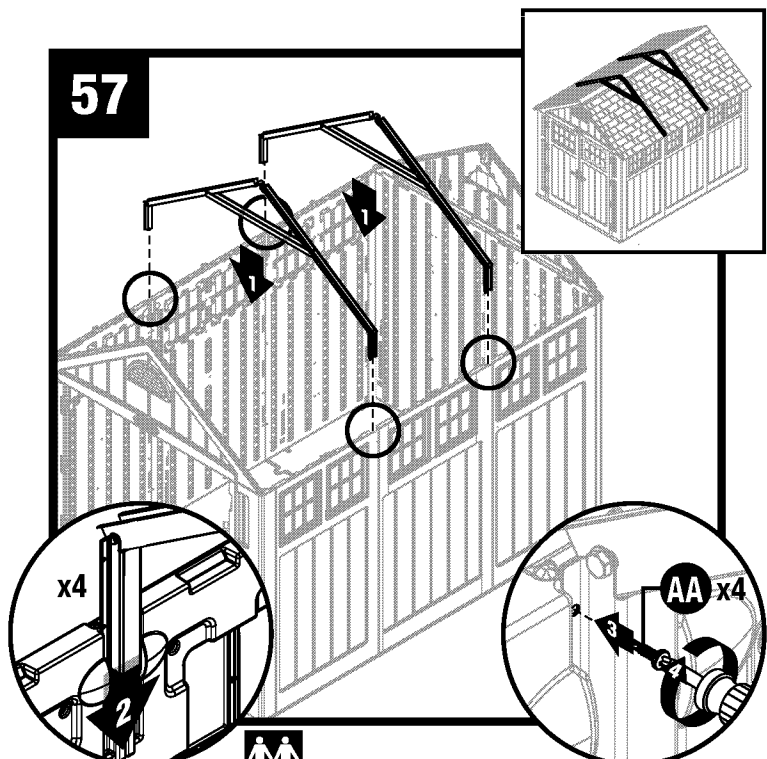
Secure front header with two panel connector pins (V).



Place the rear header assembly (H/U) on top of the back panel wall.



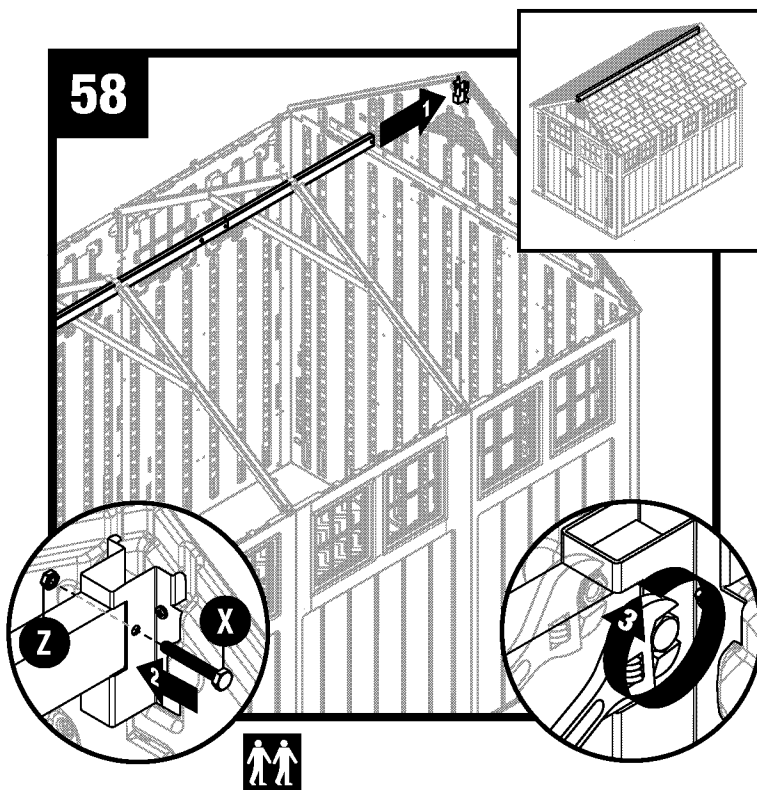
Secure header assembly with four panel connector pins (V).



Slide truss assemblies into place then secure to side panels with two screws (AA) in each bracket.

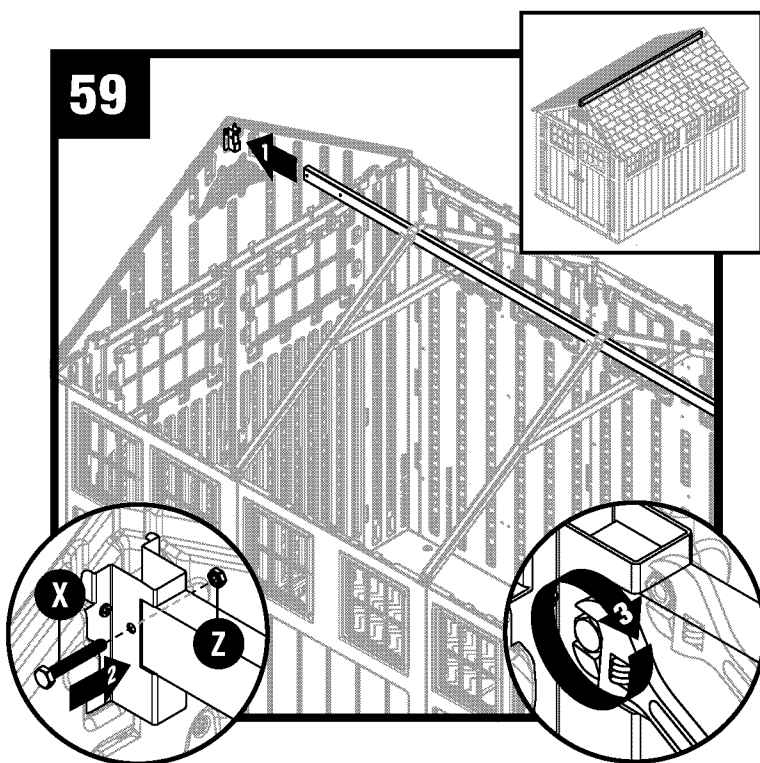
Note: This may require the side panels to be pushed inwards or outwards slightly as the brackets are slid into place.

Shed Assembly/Headers (continued)



Raise the ridge beam assembly up and into the rear roof ridge beam bracket. Secure with one 2" hex bolt (X) and one nut (Z).

Note: Alignment of ridge beam to bracket may require header panels to be pushed inwards or outwards slightly as ridge beam is slid into place.

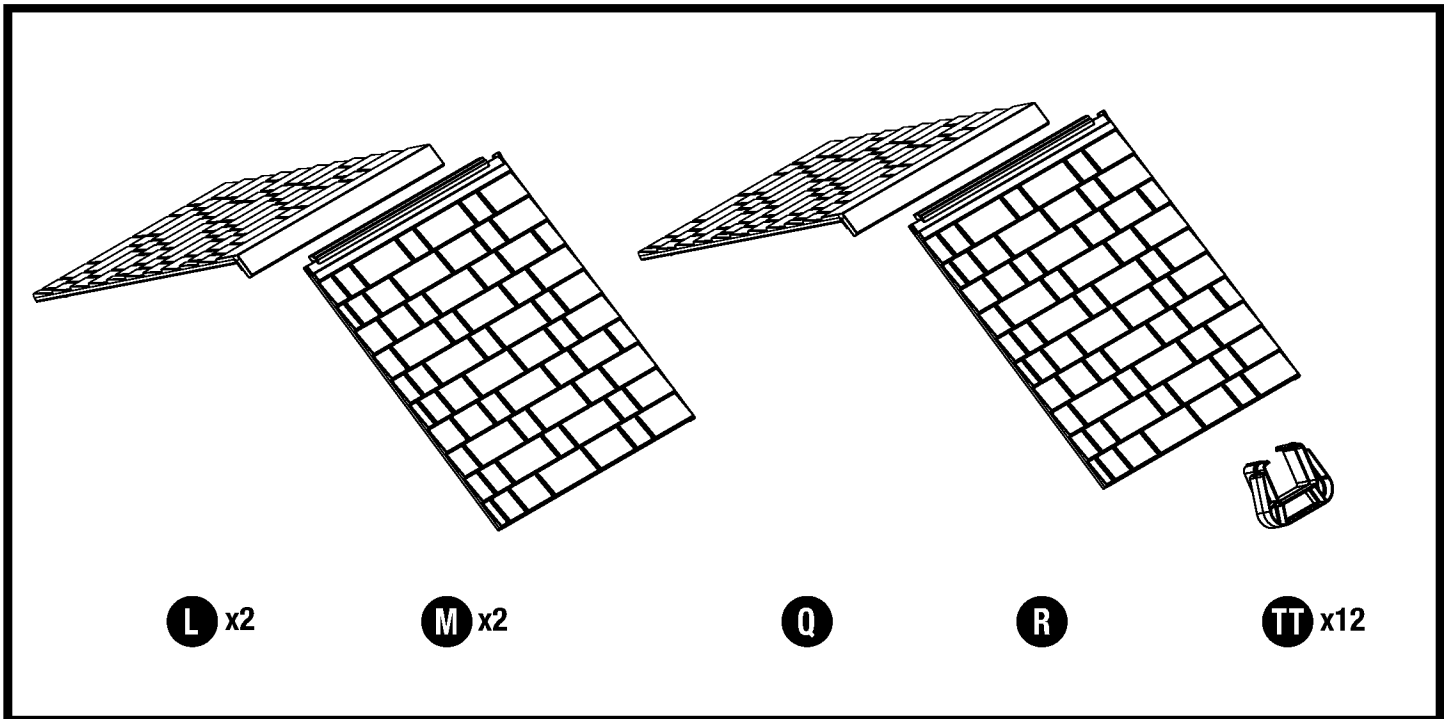



Push the ridge beam assembly toward the rear to clear the front roof ridge beam bracket. Then, insert beam into front bracket. Secure with one 2" hex bolt (X) and one nut (Z).

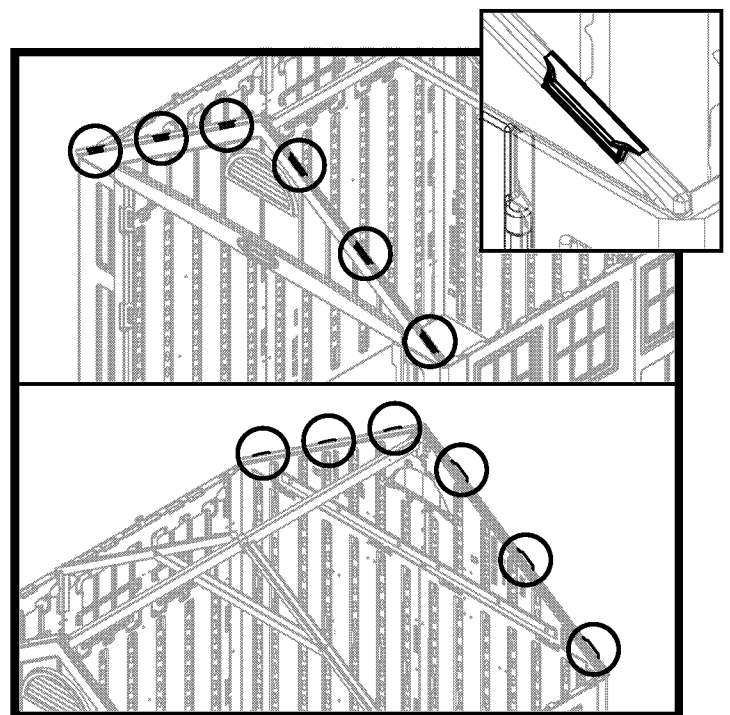
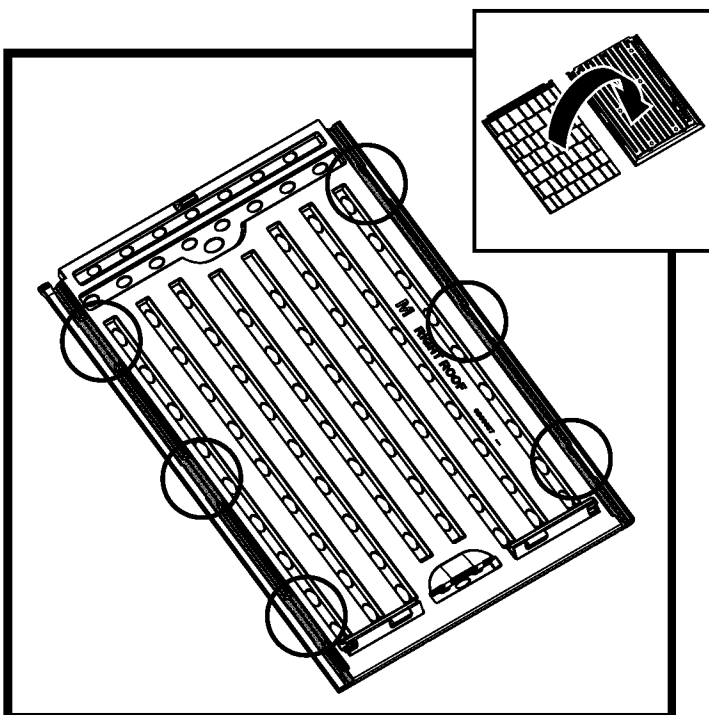
Note: Alignment of ridge beam to bracket may require header panels to be pushed inwards or outwards slightly as ridge beam is slid into place.

CAUTION: Be very careful positioning ridge beam to avoid harm to persons or damage to property. **DO NOT** stand beneath beam until it is secured with screws and nuts.

Shed Assembly/Roof



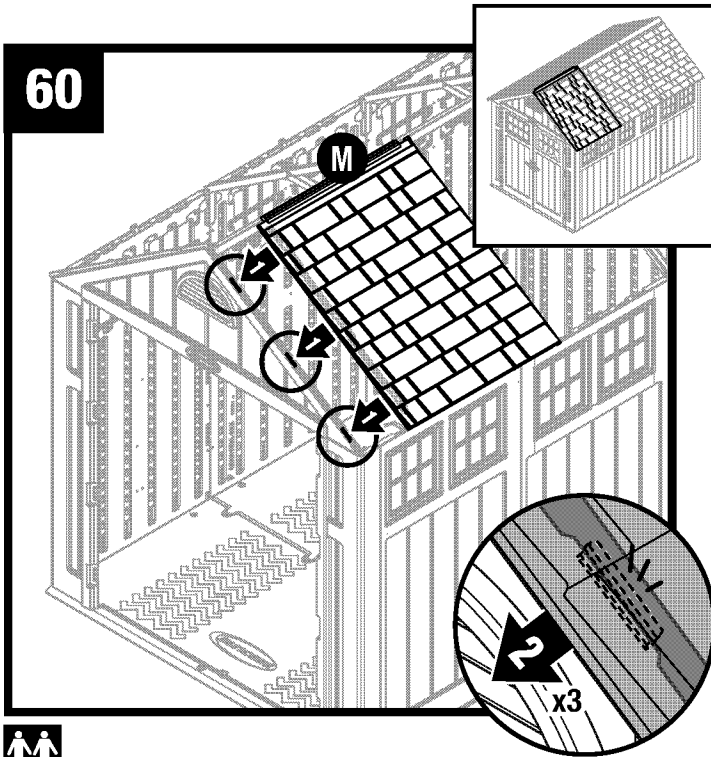
 **Note:** At least two people are needed during assembly.



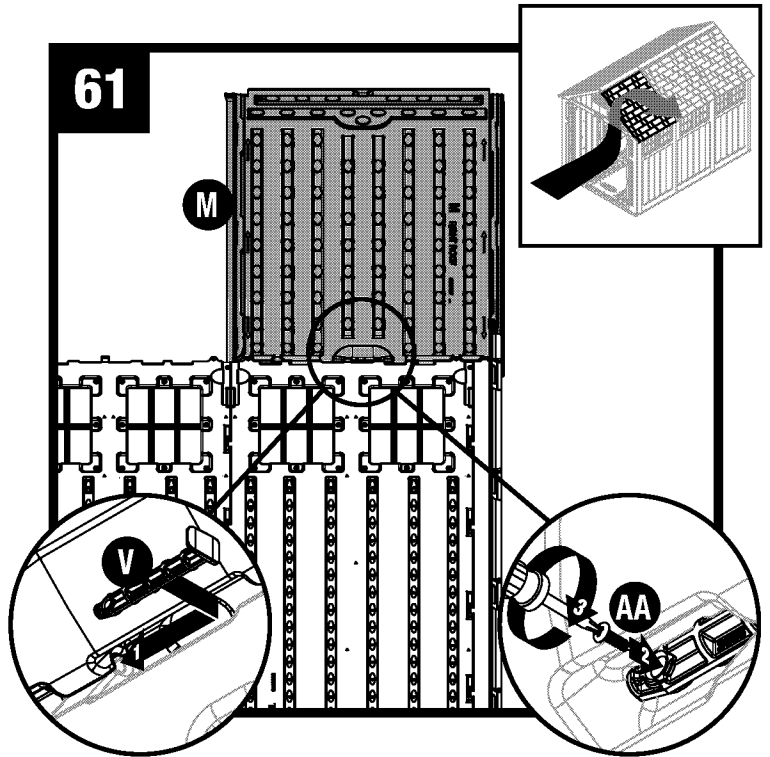
Before proceeding, locate and identify channels on interior side of right roof (M) and left roof (L). Locate three underside tabs contained within each channel.

Before proceeding, locate and identify six front header tabs and six rear header tabs.

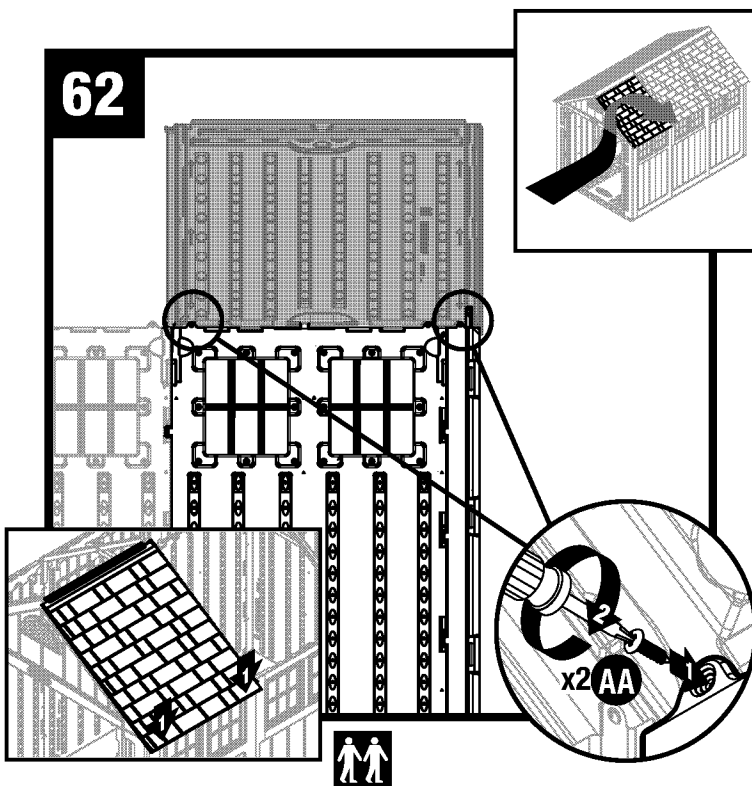
Shed Assembly/Roof (continued)



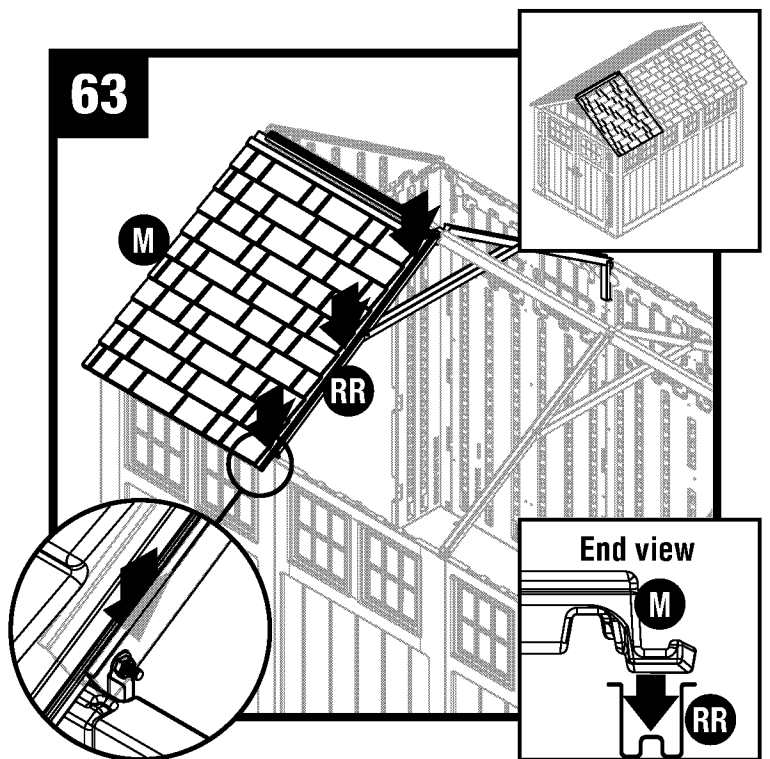
Lay right roof (M) directly over three tabs on right side of front header (G). With roof panel channel seated over/ on header tabs, pull roof downward at each header tab until roof snaps in place.



From inside shed, secure right roof panel (M) into place using panel connector pin (V) on side panel. Slide panel connector towards rear of shed until fully engaged. Attach panel connector pin with one screw (AA).

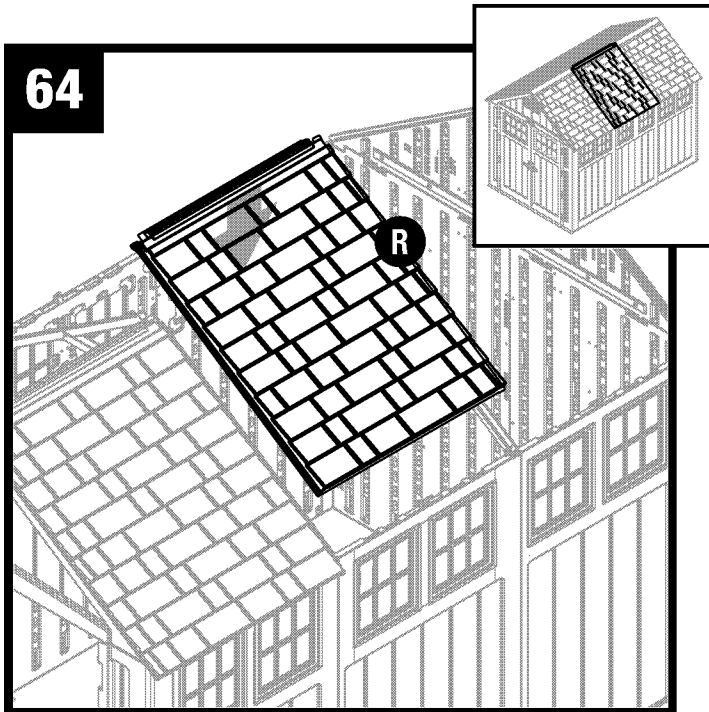


Pull down each lower corner of roof from outside. From inside shed, attach each tab to the corresponding roof panel with one screw (AA).

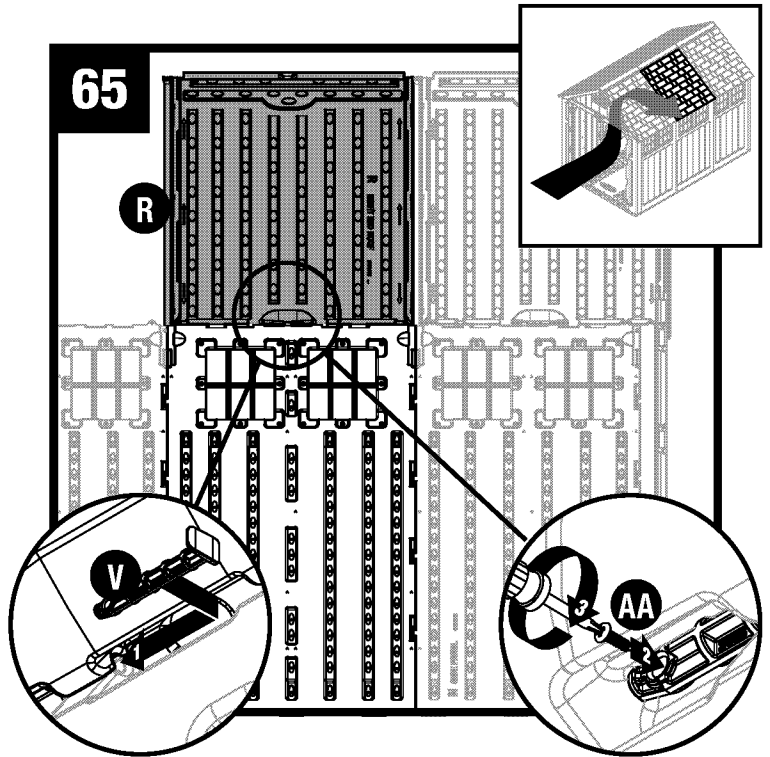


Press edge of right roof panel (M) into channel on truss leg (RR).

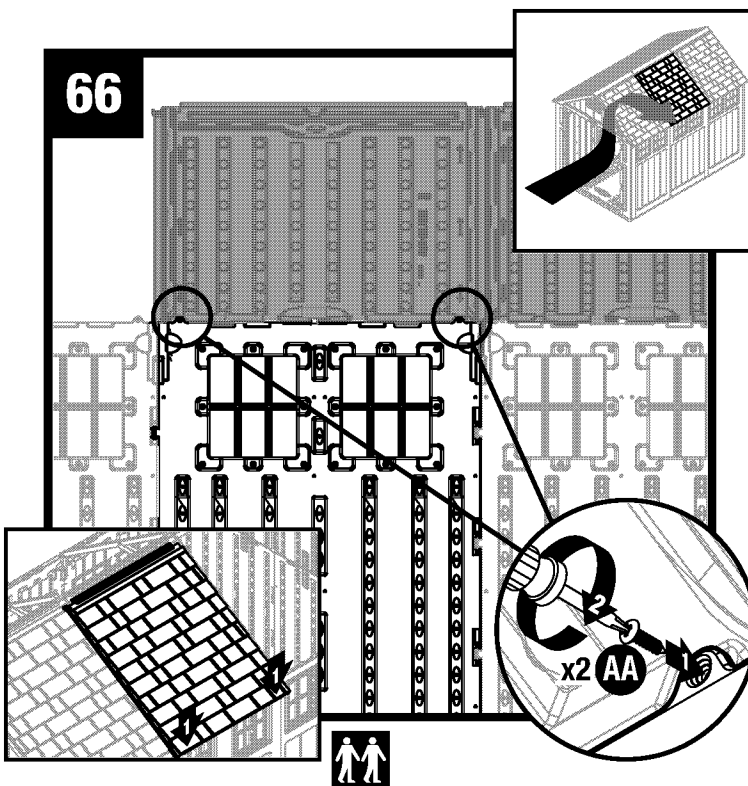
Shed Assembly/Roof (continued)



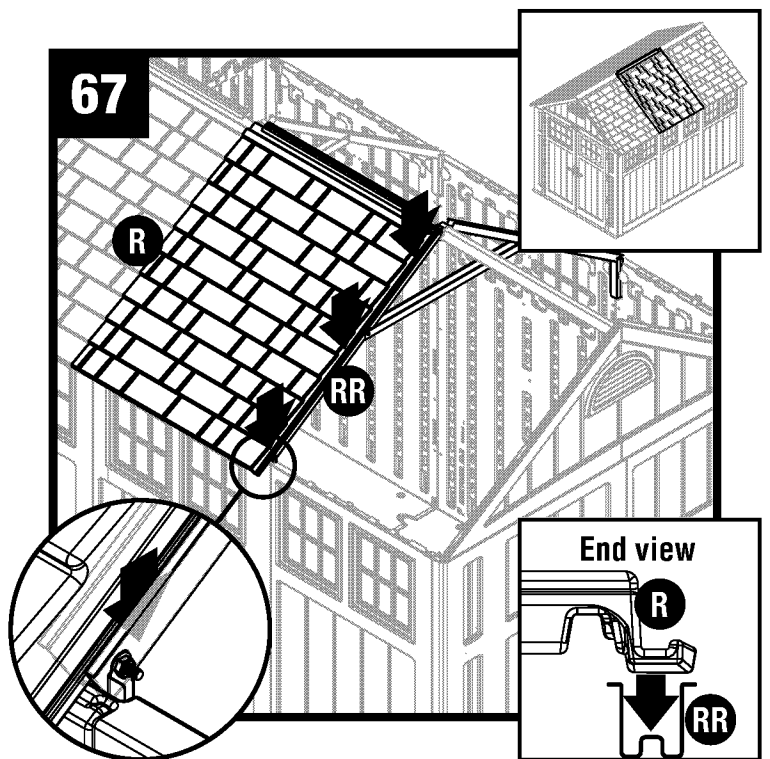
With at least two people, lower the right middle roof (R) onto the roof trusses.



From inside shed, secure right middle roof panel (R) into place using panel connector pin (V) on side panel. Side panel connector towards rear of shed until fully engaged. Attach panel connector pin with one screw (AA).

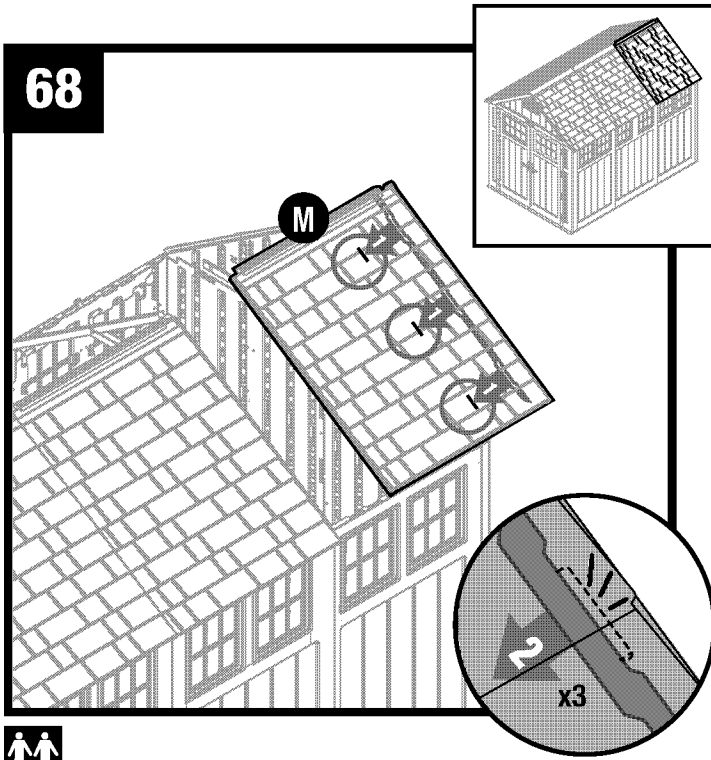


Pull down each lower corner of roof from outside. From inside shed, attach each tab to the corresponding roof panel with one screw (AA).

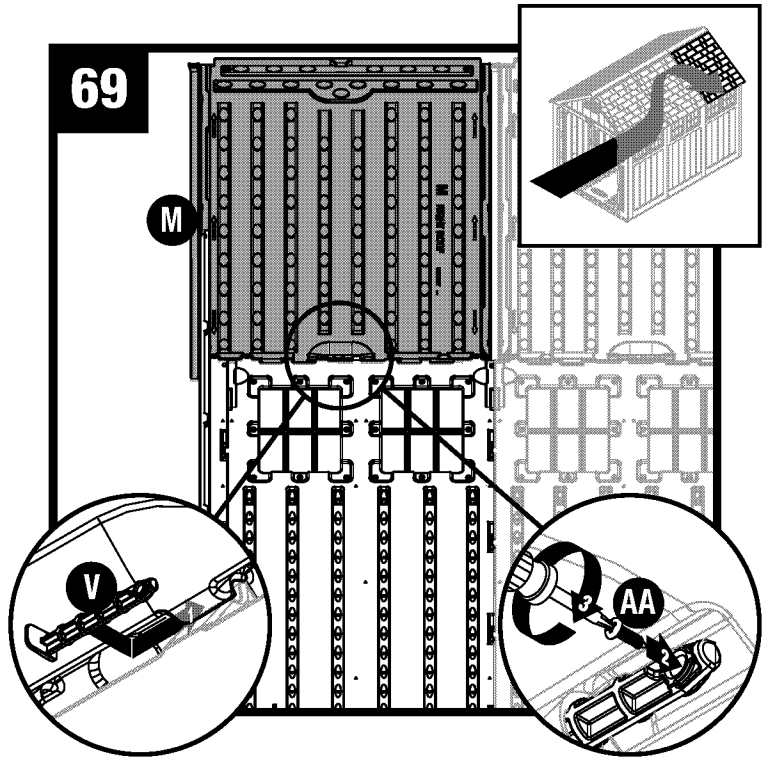


Press edge of right middle roof panel (R) into channel on truss leg (RR).

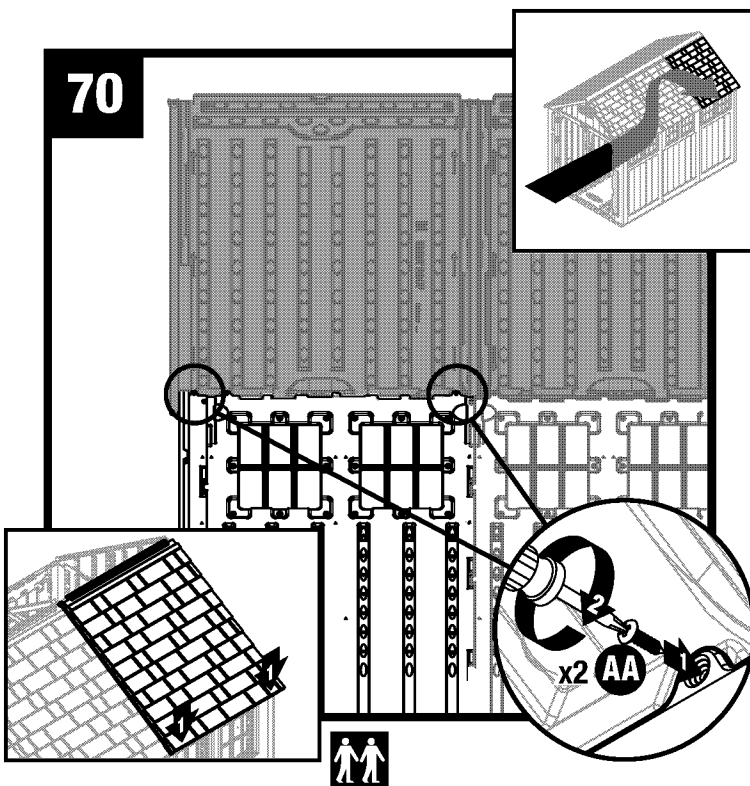
Shed Assembly/Roof (continued)



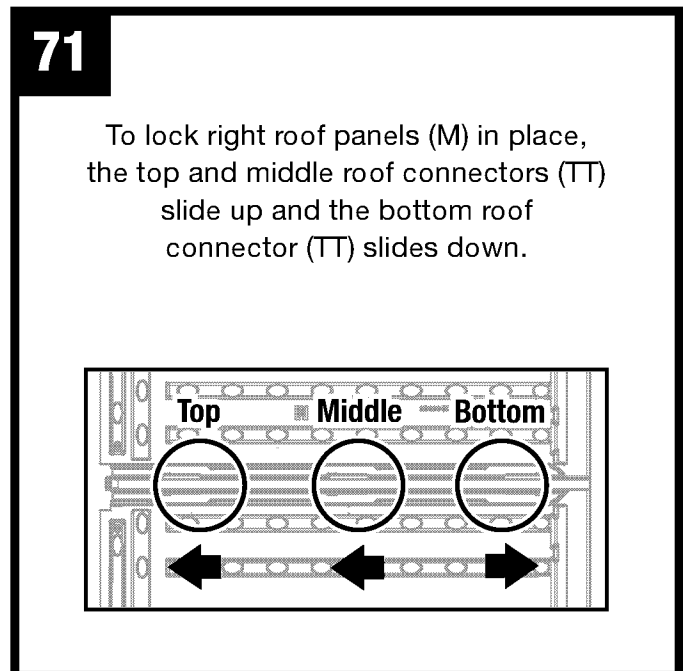
Lay remaining right roof (M) directly over three tabs on the right side of the rear header. With right roof channel seated over/on header tabs, pull right roof downward at each header tab until roof snaps in place.



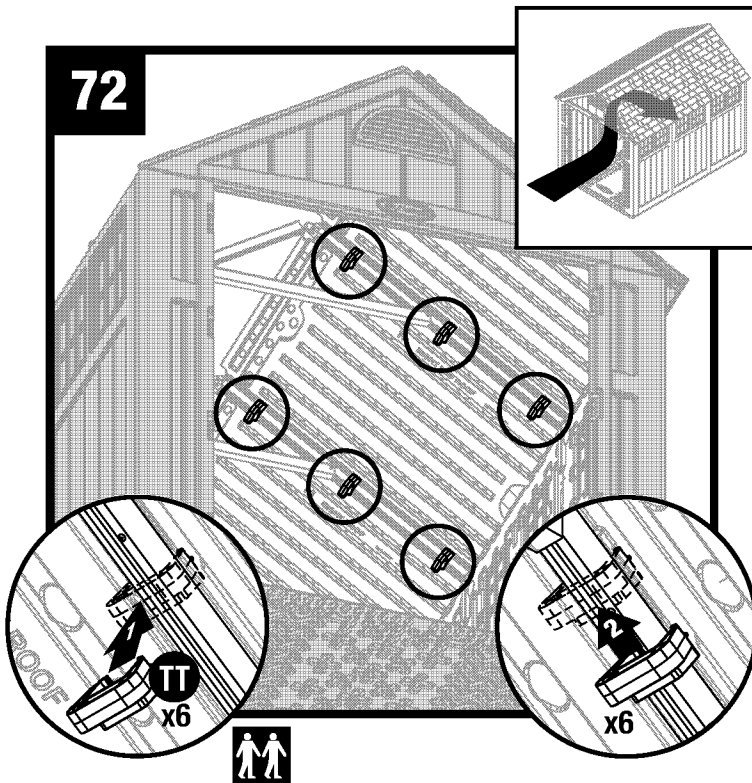
From inside shed, secure right roof panel (M) into place using panel connector pin (V) on side panel. Slide panel connector towards front of shed until fully engaged. Attach panel connector pin with one screw (AA).



Pull down each lower corner of roof from outside. From inside shed, attach each tab to the corresponding roof panel with one screw (AA).

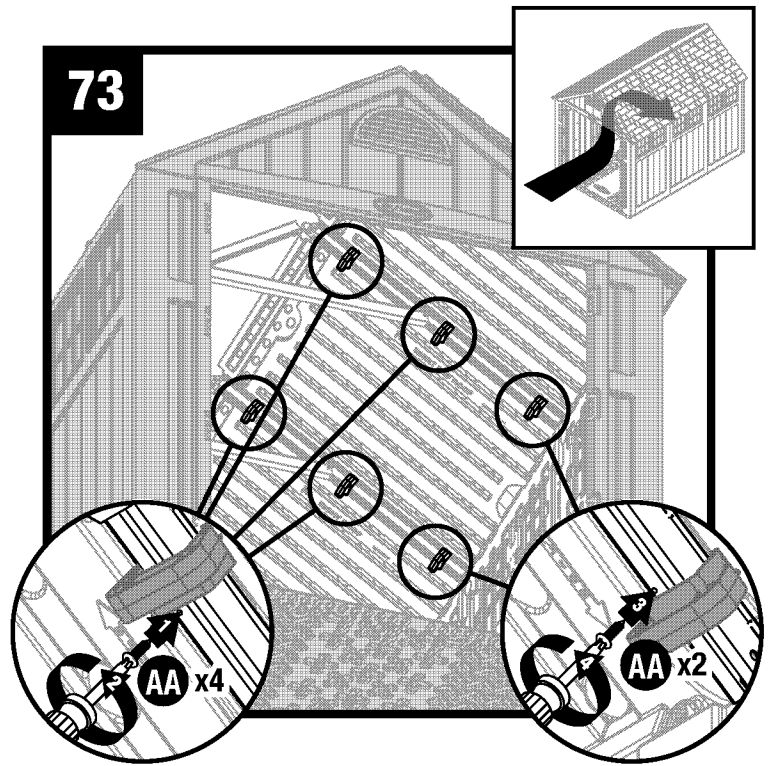


Shed Assembly/Roof (continued)

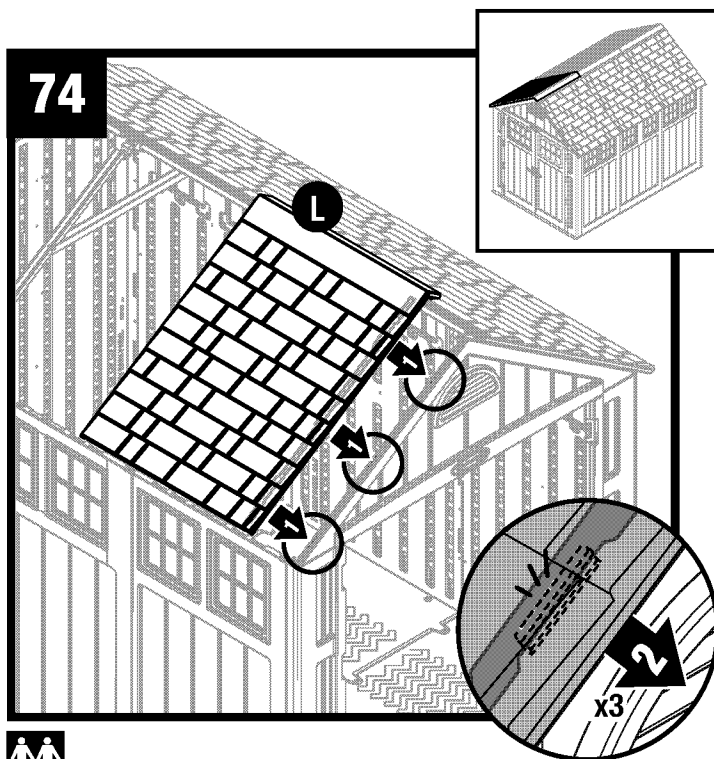


Secure right roof panels to truss with three roof connectors (TT) in corresponding slots in roof panels.

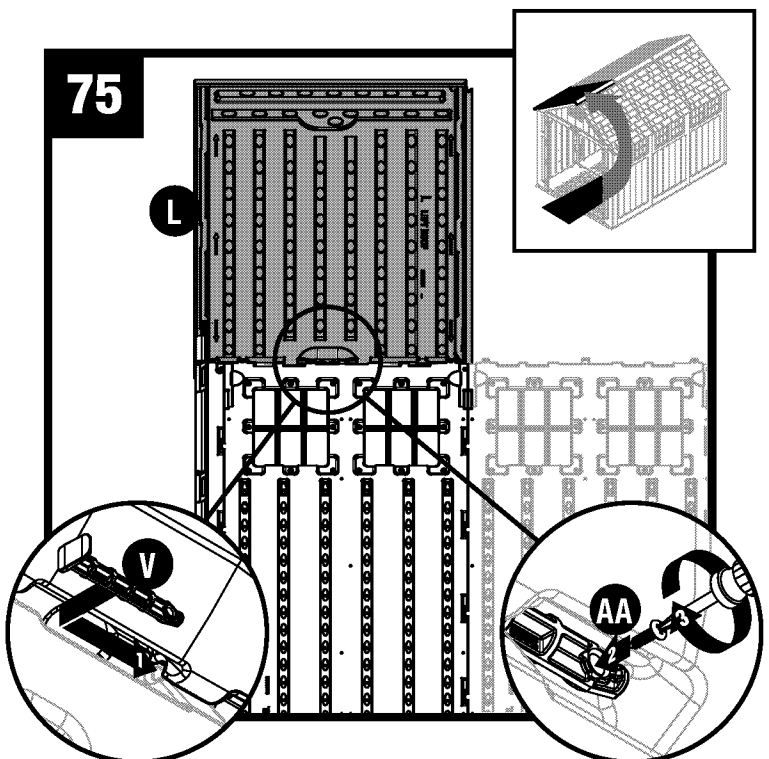
Note: Have a second person push roof panels together to more easily lock roof connectors on.



For middle and upper roof connectors, install one screw (AA) into truss behind roof connectors. For lower roof connectors, install one screw (AA) into truss in front of roof connectors.

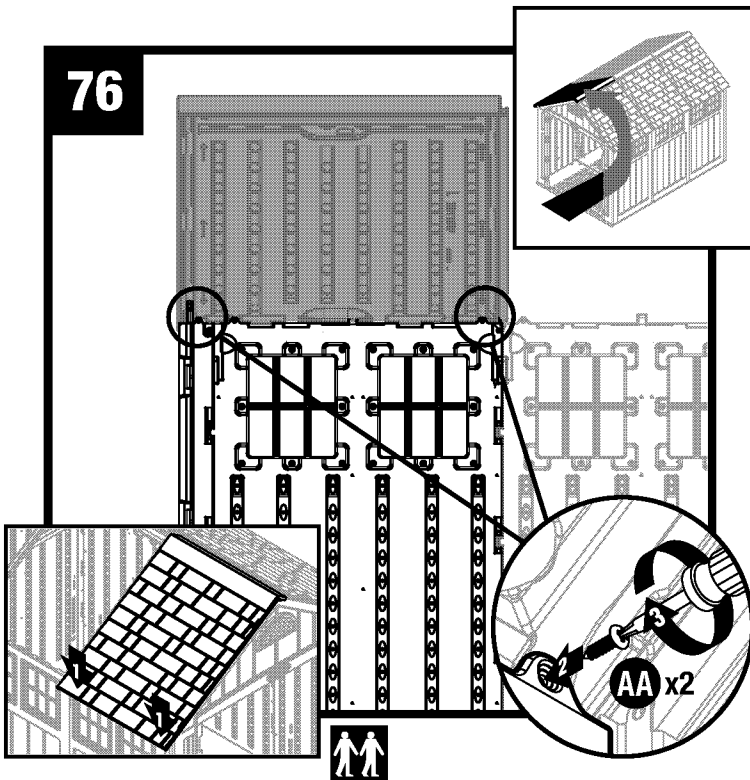


Lay left roof (L) directly over three tabs on left side of front header (G). With roof panel channel seated over/on header tabs, pull roof downward at each header tab until roof snaps in place.

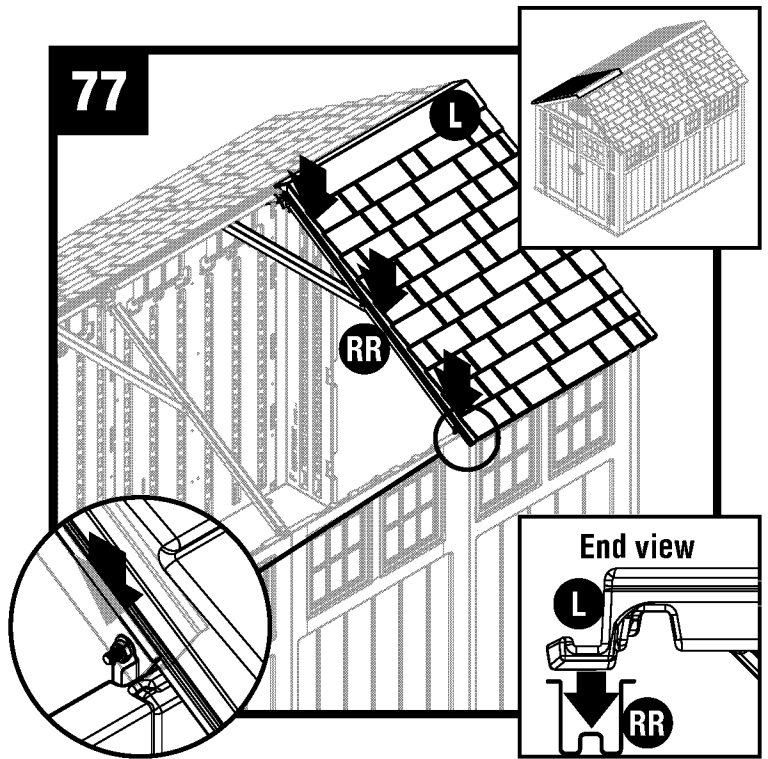


From inside shed, secure left roof panel (L) into place using panel connector pin (V) on side panel. Slide panel connector towards rear of shed until fully engaged. Attach panel connector pin with one screw (AA).

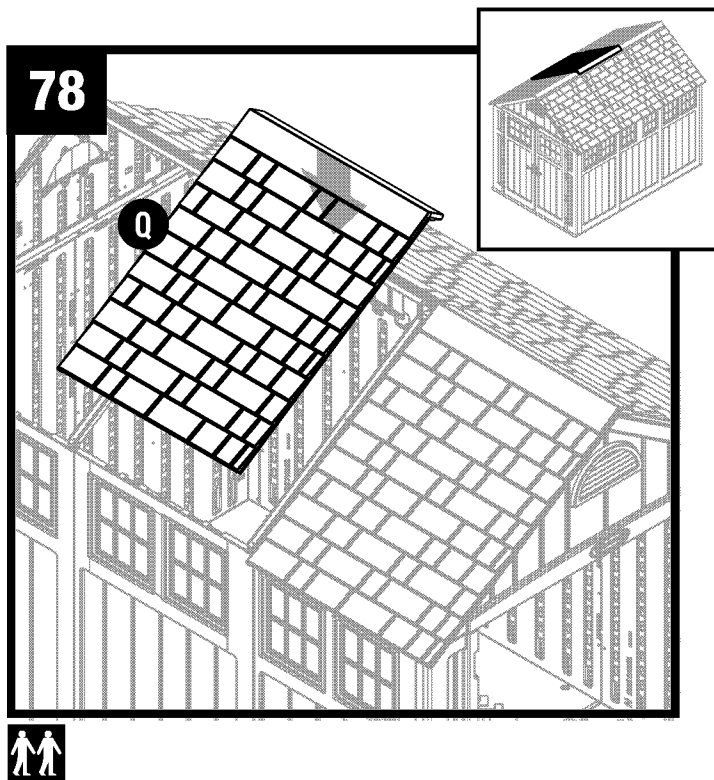
Shed Assembly/Roof (continued)



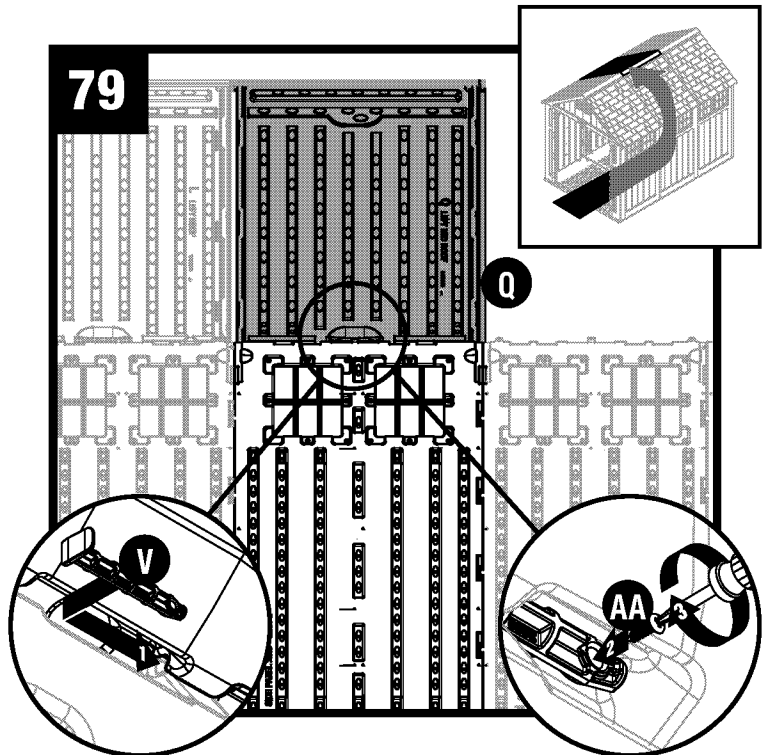
Pull down each lower corner of roof from outside. From inside shed, attach each tab to the corresponding roof panel with one screw (AA).



Press edge of left roof panel (L) into channel on truss leg (RR).

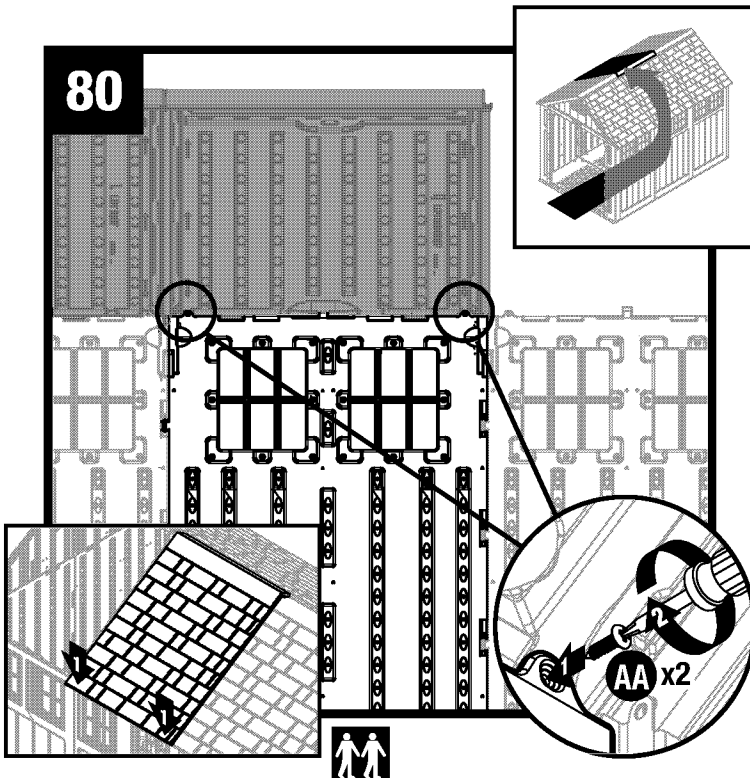


With at least two people, lower the left middle roof (Q) onto the roof trusses.

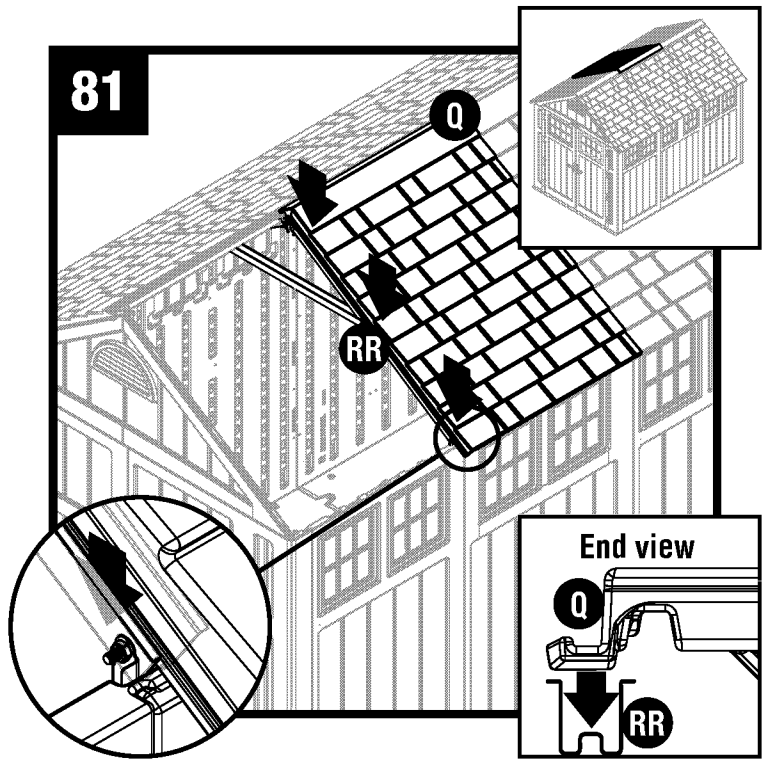


From inside shed, secure left middle roof panel (Q) into place using panel connector pin (V) on side panel. Slide side panel connector towards rear of shed until fully engaged. Attach panel connector pin with one screw (AA).

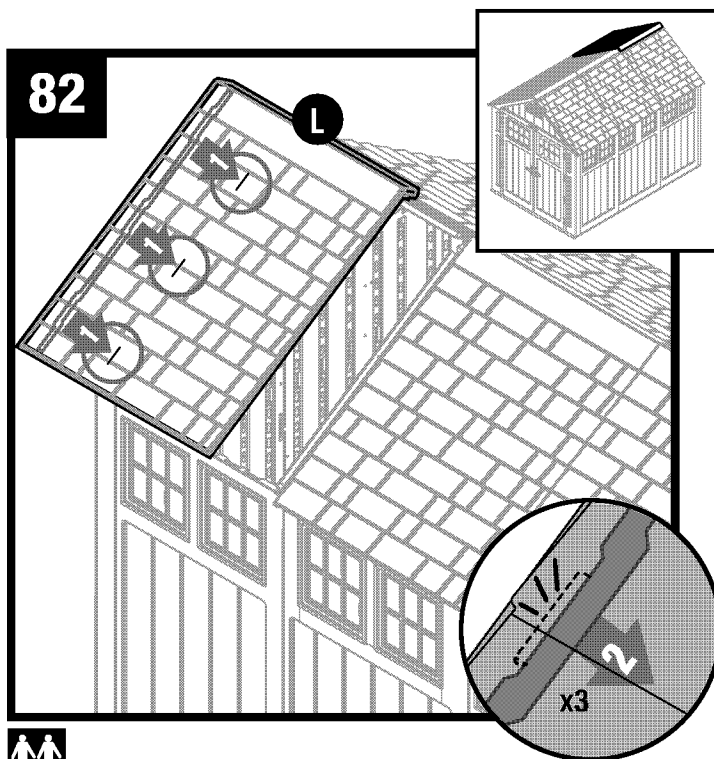
Shed Assembly/Roof (continued)



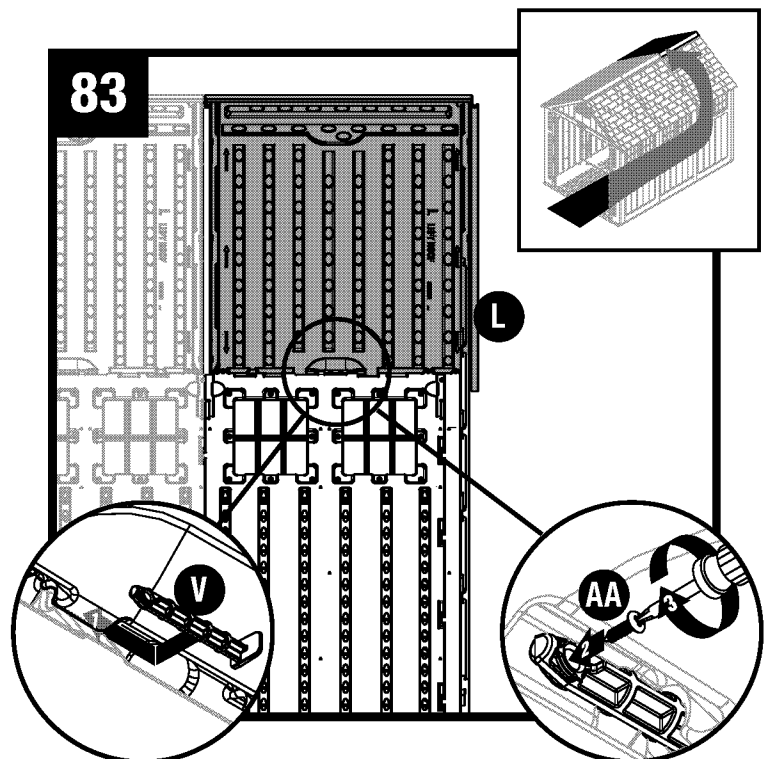
Pull down each lower corner of roof from outside. From inside shed, attach each tab to the corresponding roof panel with one screw (AA).



Press edge of left middle roof panel (Q) into channel on truss leg (RR).

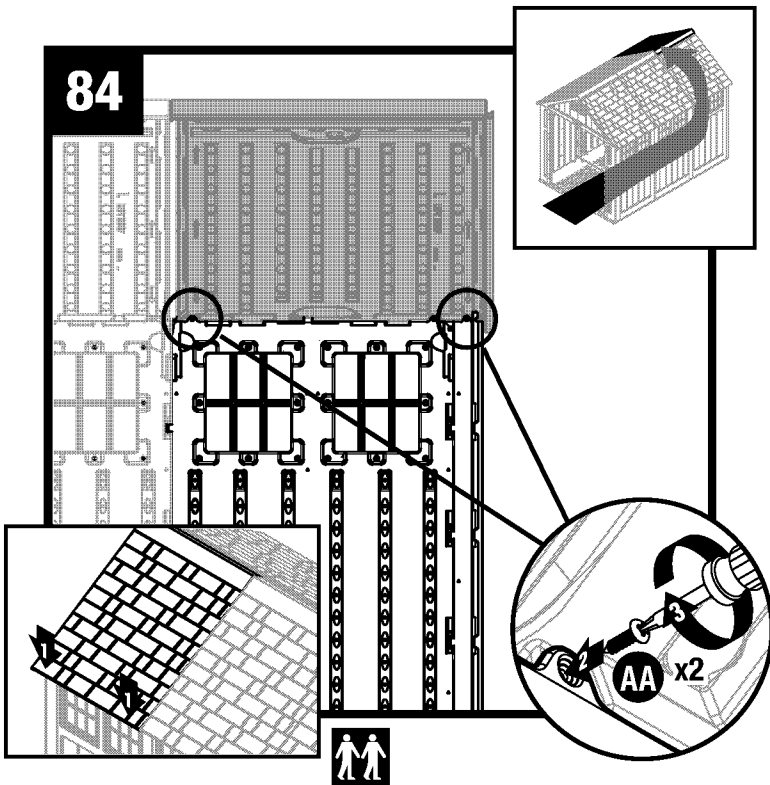


Lay remaining left roof (L) directly over three tabs on the left side of the rear header. With right roof channel seated over/on header tabs, pull left roof downward at each header tab until roof snaps in place.

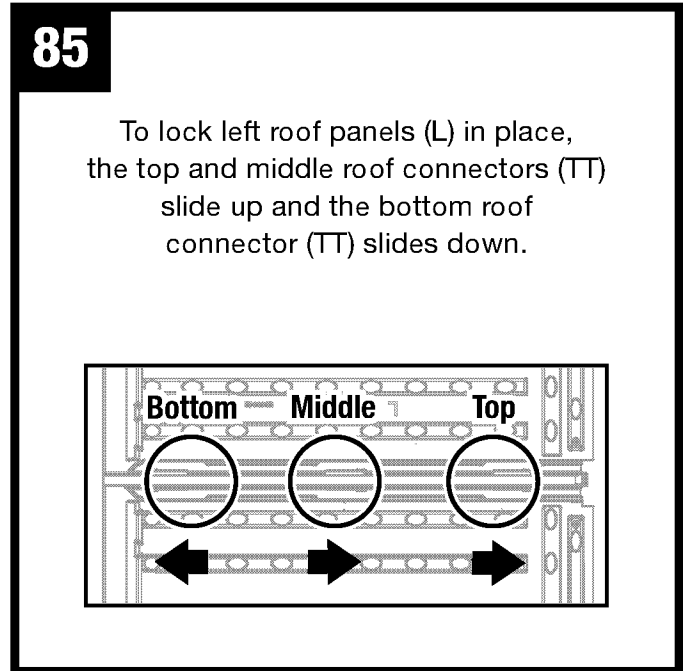


From inside shed, secure left roof panel (L) into place using panel connector pin (V) on side panel. Slide panel connector towards front of shed until fully engaged. Attach panel connector pin with one screw (AA).

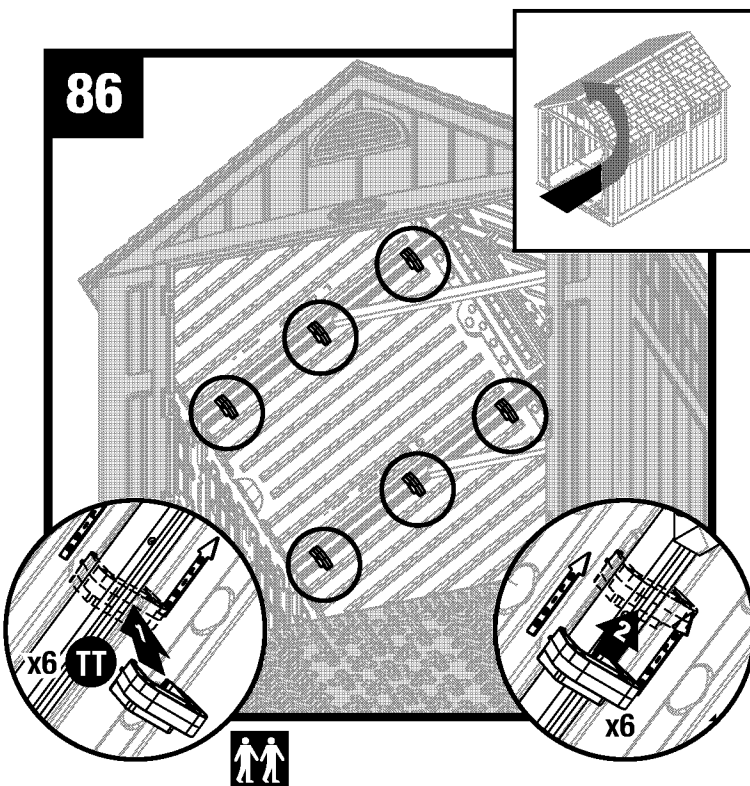
Shed Assembly/Roof (continued)



Pull down each lower corner of roof from outside. From inside shed, attach each tab to the corresponding roof panel with one screw (AA).

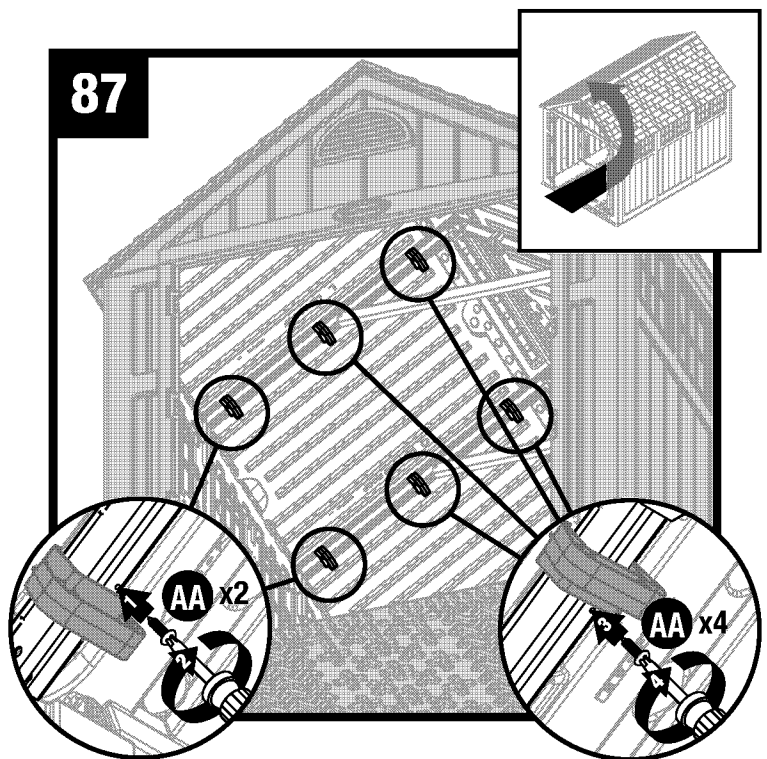


To lock left roof panels (L) in place, the top and middle roof connectors (TT) slide up and the bottom roof connector (TT) slides down.



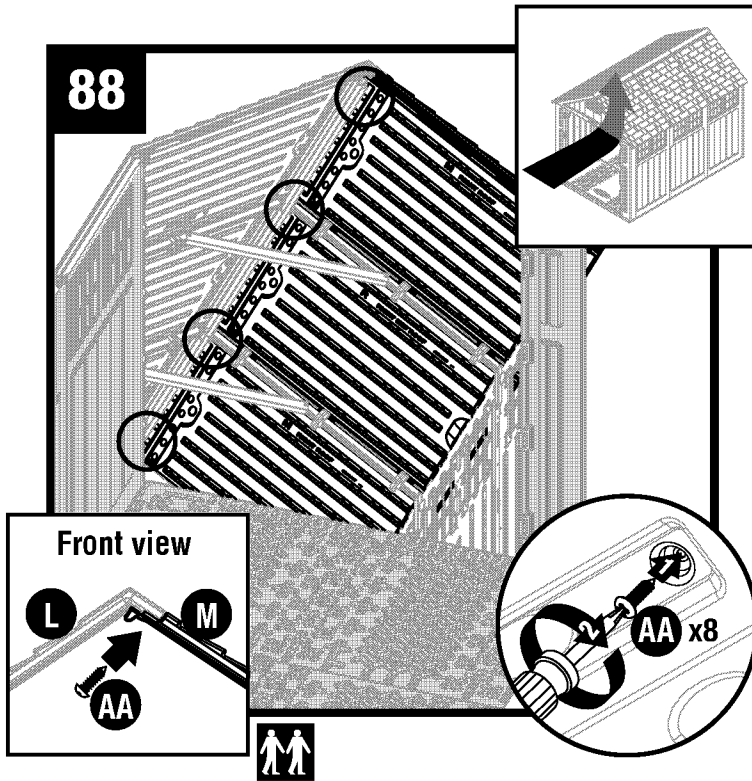
Secure left roof panels to truss with three roof connectors (TT) in corresponding slots in roof panels.

Note: Have a second person push roof panels together to more easily lock roof connectors on.



For lower roof connectors, install one screw (AA) into truss in front of roof connectors. For middle and upper roof connectors, install one screw (AA) into truss behind roof connectors.

Shed Assembly/Roof (continued)

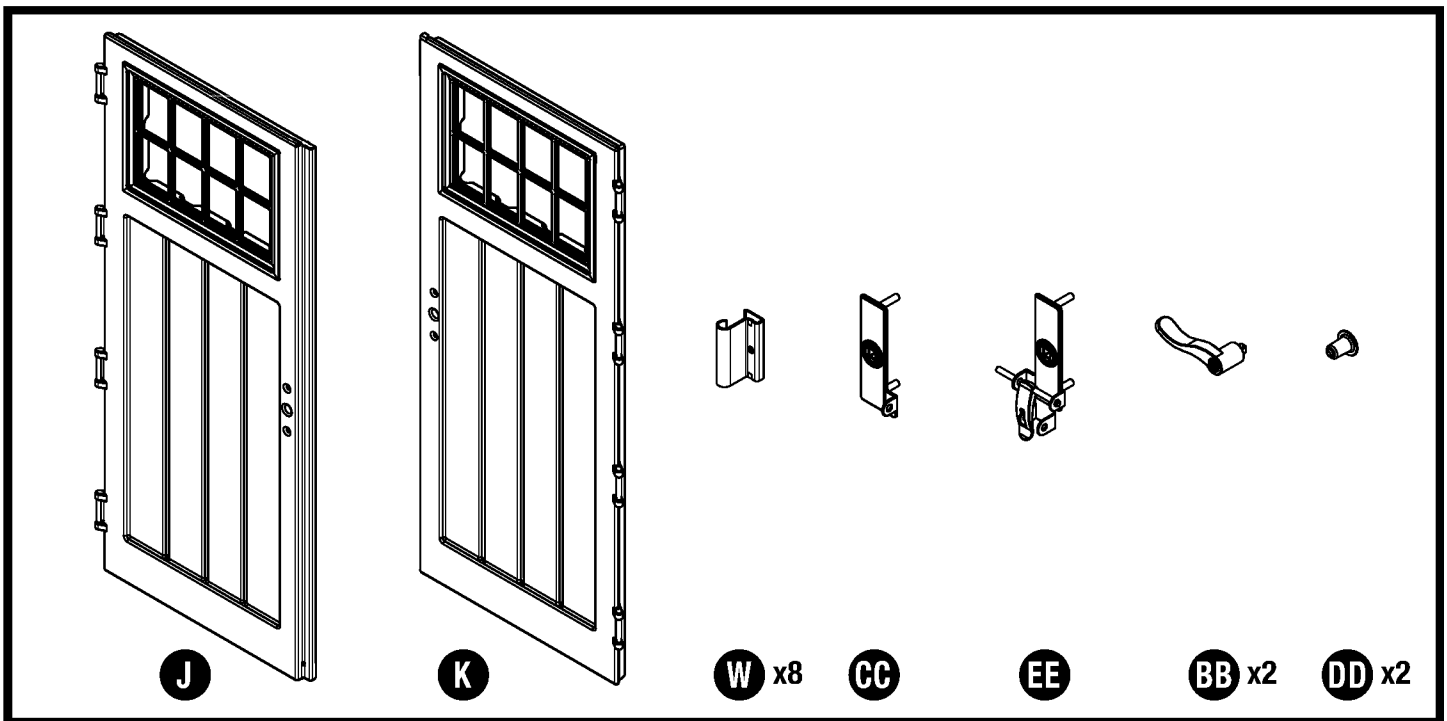



From the interior of the shed, attach two screws (AA) through the holes in each right roof panel (M) into each left roof panel (L) and in right middle roof panel (R) into left middle roof panel (Q) to secure roof assembly.

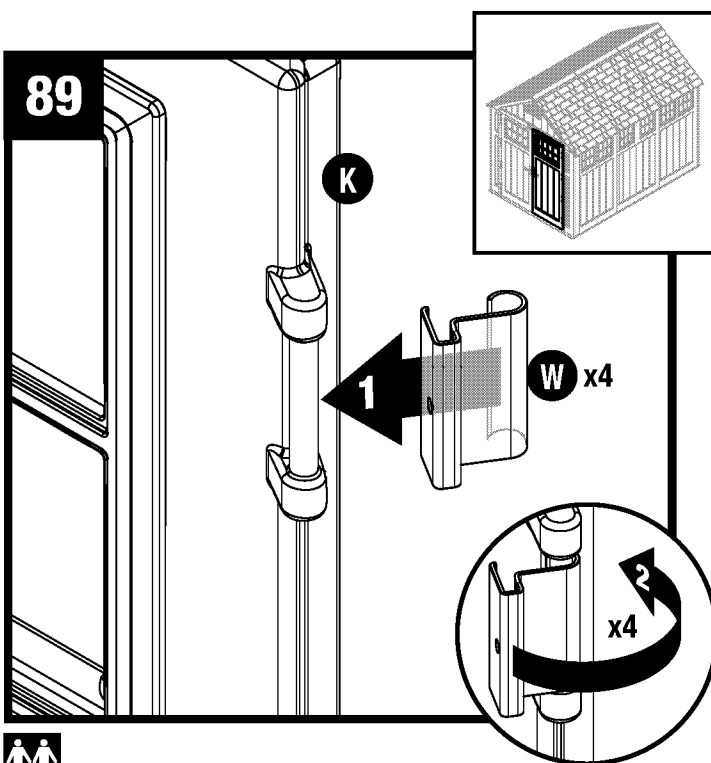
Note: Have a second person push down roof from outside.

Note: For clarity, illustration is shown with front header and left front panel removed.

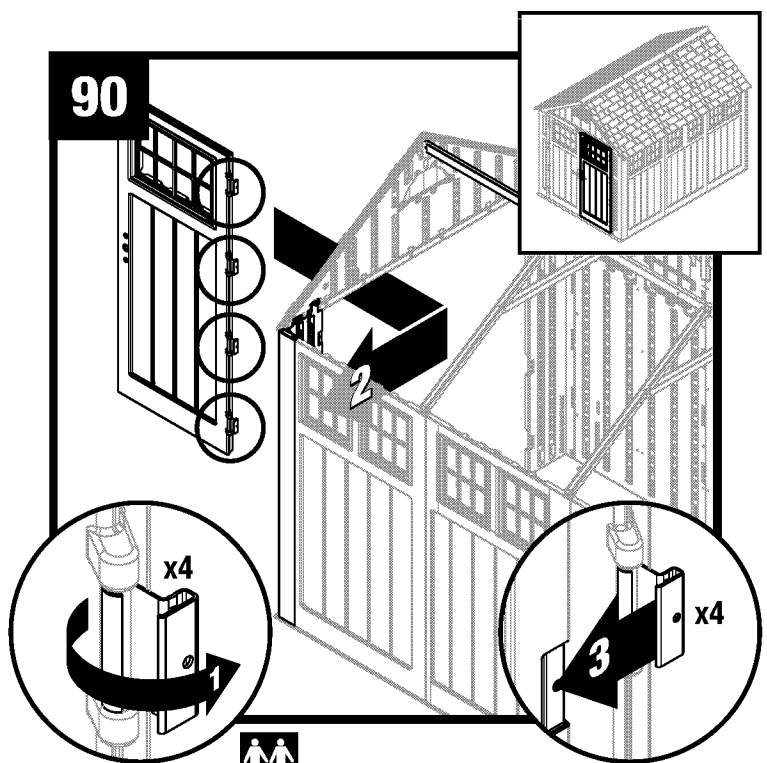
Shed Assembly/Doors



 **Note:** At least two people are needed during assembly.



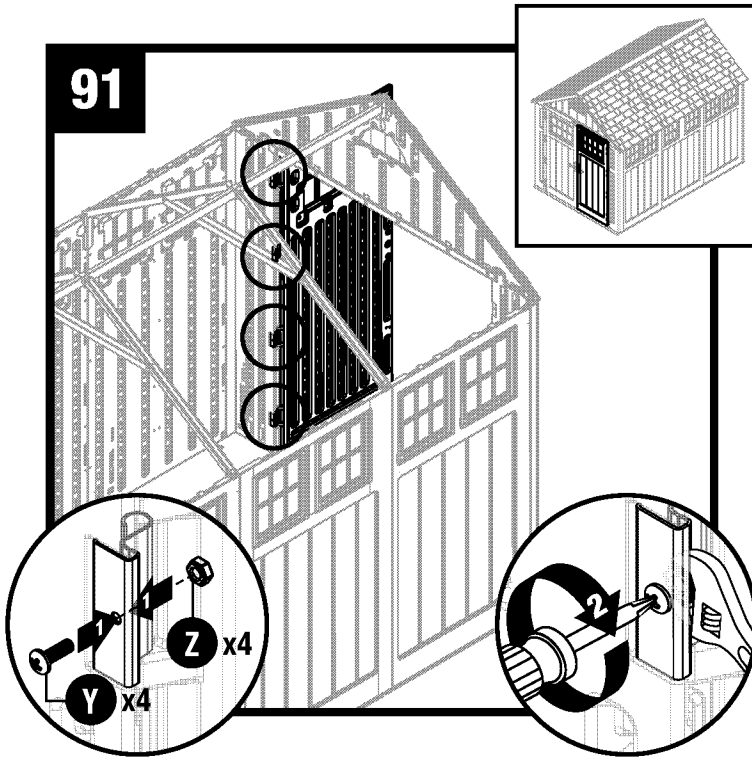
Stand right door (K) upright with four hinge mounts facing right. Attach one metal hinge plate (W) to each hinge mount. Rotate hinge plates to inside of door.



Rotate metal hinge plates to open position. Slide one metal hinge plate over each hinge receptacle on inside of right front panel.

Note: For clarity, illustration is shown with roof removed.

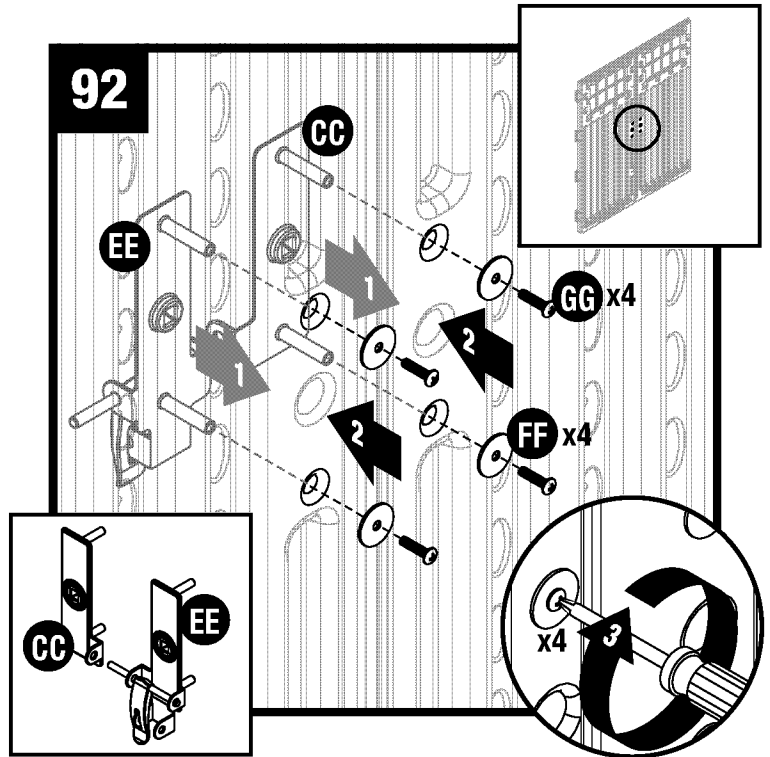
Shed Assembly/Doors (continued)



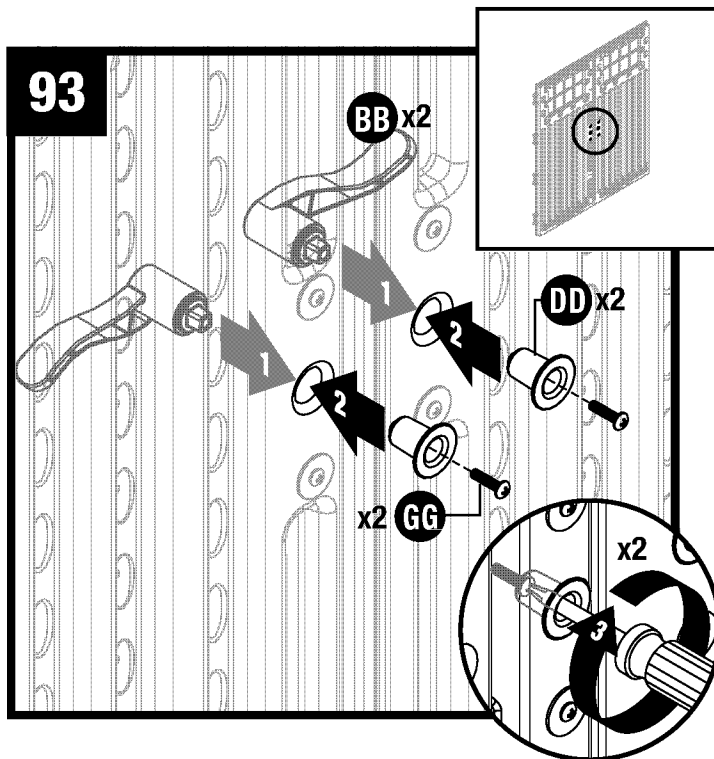
Secure each metal hinge plate with one screw (Y) and one nut (Z).

Repeat Steps 89-91 for left door (l).

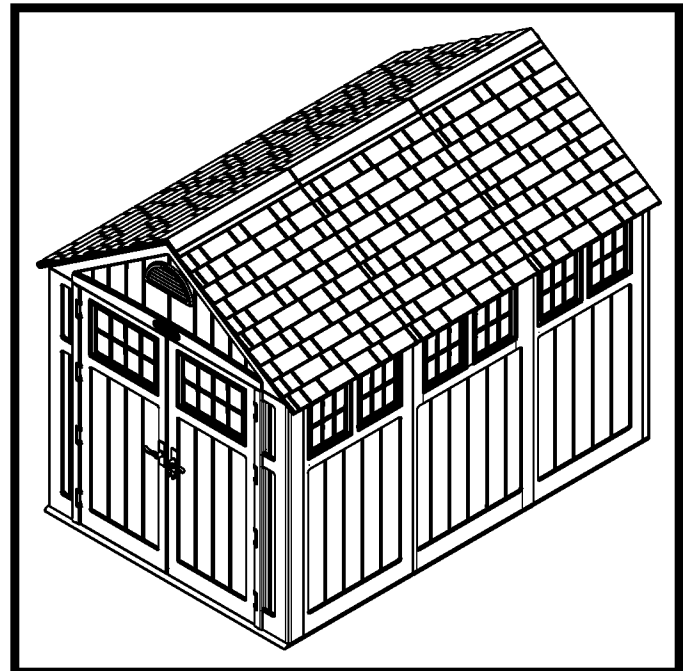
Note: For clarity, illustration is shown with roof removed.



Insert screw stems, on left and right handle plates (CC) and (EE), through the pre-drilled holes in doors. While holding plates in place on exterior of door, secure each with two washers (FF) and two screws (GG).



From the outside of doors, insert door handles (BB) through handle plate holes. On inside of doors, place spacers (DD) on each door handle, and secure each with one screw (GG).



Complete.

Warranty

Suncast® Corporation, 701 North Kirk Road, Batavia, Illinois 60510 (Manufacturer) warrants to the original purchaser only that the enclosed product is free from material and workmanship defects under normal, household use at time of purchase.

This limited warranty does not apply to damage resulting from accident, neglect, misuse, commercial use, alteration, operation not in accordance with instruction or repairs made or attempted by unauthorized persons.

This limited warranty applies only to the product enclosed and does not apply to accessory parts.

THE MANUFACTURER'S LIABILITY HEREUNDER IS LIMITED SOLELY TO THE REPAIR OR REPLACEMENT OF THE DEFECTIVE PRODUCT OR PART AND THE MANUFACTURER SHALL IN NO EVENT BE LIABLE FOR ANY INCIDENTAL OR CONSEQUENTIAL DAMAGES WHICH MAY RESULT FROM ANY DEFECT IN MATERIAL OR WORKMANSHIP OR FROM THE BREACH OF ANY EXPRESS OR IMPLIED WARRANTY.

Some states do not allow the exclusion or limitation of incidental or consequential damages, or a limitation of how long an implied warranty lasts, so the above limitations may not apply to you. This warranty gives you specific legal rights, and you may have other rights which may vary from state to state.